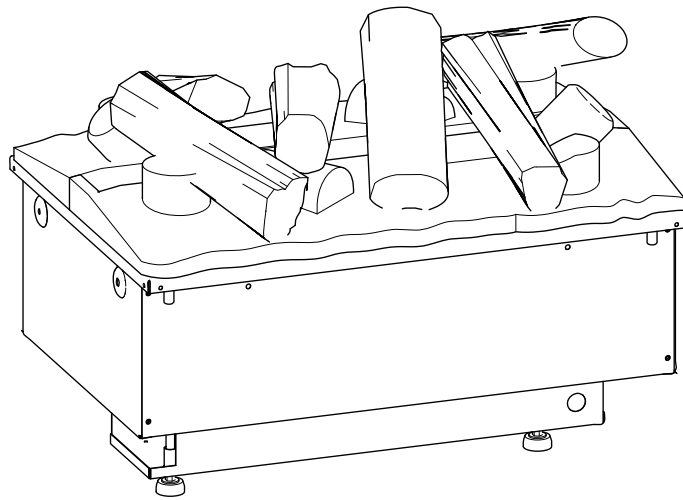
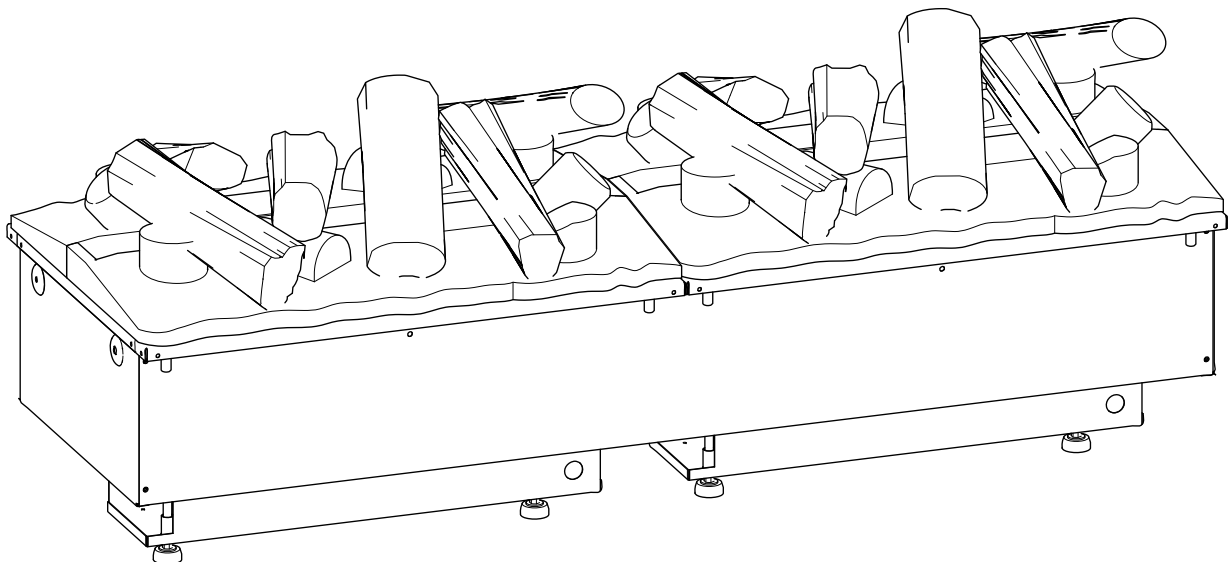


Dimplex



CAS500



CAS1000

Dimplex CAS500, CAS1000

Introduction

Please read this information guide carefully to be able to safely install, use and maintain your product.

Important Safety Advice

When using electrical appliances, basic precautions should always be followed to reduce the risk of fire, electrical shock and injury to persons, including the following:

If the appliance is damaged, check with the supplier before installation and operation.

Do not use outdoors.

Do not use in the immediate surroundings of a bath, shower or swimming pool.

Do not locate the appliance immediately below a fixed socket outlet or connection box.

This appliance can be used by children aged from 8 years and above and persons with reduced physical, sensory or mental capabilities or lack of experience and knowledge if they have been given supervision or instruction concerning use of the appliance in a safe way and understand the hazards involved. Children shall not play with the appliance. Cleaning and user maintenance shall not be made by children with out supervision.

Children of less than 3 years should be kept away unless continuously supervised.

Children aged from 3 years and less than 8 years shall only switch on/off the appliance provided that it has been placed or installed in its intended normal operating position and they have been given supervision or instruction concerning use of the appliance in a safe way and understand the hazards involved. Children aged from 3 years and less than 8 years shall not plug in, regulate and clean the appliance or perform user maintenance.

CAUTION: Some parts of this product can become very hot and cause burns. Particular attention has to be given where children and vulnerable people are present.

Do not use this appliance in series with a thermal control, a program controller, a timer or any other device that switches on the heat automatically, since a fire risk exists when the heater is accidentally covered or displaced.

Ensure that furniture, curtains or other combustible material are positioned no closer than 1 meter from the appliance.

In the event of a fault unplug the appliance.

Unplug the appliance when not required for long periods.

Although this appliance complies with safety standards, we do not recommend its use on deep pile carpets or on long hair type of rugs.

The appliance must be positioned so that the plug is accessible.

If the supply cord is damaged it must be replaced by the manufacturer or service agent or a similarly qualified person in order to avoid a hazard.

Keep the supply cord away from the front of the appliance.

WARNING: In order to avoid overheating, do not cover the appliance. Do not place material or garments on the appliance, or obstruct the air circulation around the appliance.

The appliance carries a DO NOT COVER warning symbol. 

This appliance is not equipped with a device to control the room temperature. Do not use this appliance in small rooms when they are occupied by persons not capable of leaving the room on their own, unless constant supervision is provided.

General Information

Only use filtered water in this appliance.

Unpack the appliance carefully and retain the packaging for possible future use, in the event of moving or returning the fire to your supplier.

Always ensure that the appliance is sitting on a level surface.

The appliance is a flame effect only.

The appliance is designed to be built into a surround or built into a wall.

Before connecting the appliance, check that the supply voltage is the same as that stated on the appliance.

Please note: Used in an environment where background noise is very low, it may be possible to hear a sound which is related to the operation of the flame effect. This is normal and should not be a cause for concern.

Once installed, never move this appliance or lay on its back, without draining the water from sump and water tank.

The water tank, sump, sump lid, tank cap and air filters must be cleaned once every two weeks, particularly in hard water areas.

If you intend not using the appliance for longer than 2 weeks, drain the water from sump and water tank and dry the sump.

The sump and the water tank in this product are treated with a biocidal product, Silver Biocide. This conforms with the latest relevant ISO standard

Do not drink the water from the sump or from the water tank(s)

This appliance is intended to be permanently connected to the water mains and not connected by a hose-set

Installation Instructions

This section describes how to set up your fire.

BEFORE YOU START

1. Ensure that all packing items are removed (read any warning labels carefully) and retain all packing for possible future use.
2. Before connecting the appliance, check that the supply voltage is the same as that stated on the appliance.
3. Ensure that the appliance is sitting on a level surface
4. Lift off the metal top plate to gain access to the appliance. Keep the top plate with the packing for possible future use. (Fig.2)

Installation Guide

This product can be built into a wall, surround or structure. Please take note of the product dimensions in Fig.1 and build your wall, surround or structure accordingly. You are required to leave a minimum of 400mm from the base of the fuelbed to any shelf/enclosure above the product. This will allow enough space above the product to allow the flames to form fully and not to be obstructed.

This product needs free ventilation from underneath to operate correctly. The free ventilation helps keep the electronic components cool, allow the mist to evacuate the sump and lift out of the product effortlessly.

THE AREA OF FREE VENTILATION THE CAS500 REQUIRES IS A MINIMUM OF 210CM².

THE AREA OF FREE VENTILATION THE CAS1000 REQUIRES IS A MINIMUM OF 420CM².

Surround Design

The CAS500 and CAS1000 are designed to be built into a surround/wall. Using the dimensions provided in Fig1. you can design a cavity for the appliance. Be sure to allow room under and around the appliance for the water connection and the electrical connection. Once the surround/wall is prepared you can put the appliance in place. Fit the LED Log Fuelbed so you ensure that the appliance is centered, see section 'Assembling the LED Log Fuelbed'. When you have settled on a position, lift off the Fuelbed and using appropriate screws for the surround/wall, screw through the formed holes in the left and right side panels securing the appliance in place.

Water Supply

The appliance can operate by using the water tank(s) provided or by connecting up mains water.

Water Tank(s): You will need to remove the 'Fill Cap' from the sump. (Fig.3a and Fig.3b). Place the Water Tank(s) (Fig.3C) in your sink and remove the cap (turn anti-clockwise). Fill the Water Tank with **filtered tap water only**. This is necessary to prolong the life of the flame and smoke producing unit. The water should be filtered through a conventional domestic water filter unit and the filter should be replaced regularly. Distilled water must **not** be used.

Mains Water: If you choose to supply mains water to the appliance store the bottle(s) with the metal top plate and packaging. You can use the Piercing Valve (supplied) to connect into your mains water supply by;

1. Clamp the Piercing Valve onto your water pipe: maximum 1/2" (12.7mm) pipe
2. Connect a 1/4" (6.35mm) PVC tube (not supplied) from the piercing valve into the water filter supplied and then in to the product (Fig.4).
3. Turn the tap on the valve clockwise to pierce into the water pipe. Turn the tap anti-clockwise to allow the water to flow through the valve. You can shut off the water to the product by turning the tap on the valve clockwise until the flow stops.
4. Turn on the internal ball valve. This is located under the sump. Remove the sump as described under 'Cleaning' in

the Maintenance section

Please note: the water pressure is to be between 8Bar (800Kilopascals) and 0.5Bar (50Kilopascals).

If you do not feel confident making this connection please consult a qualified plumber, to ensure a safe and secure installation.

Electrical Connection

Plug the fire into a 13amp/240 volt outlet. Be sure to have access to the plug after installation to allow for disconnection. Ensure that the supply cable exits at the back of the fire, at the right or left hand corner to suit your supply socket location and is not trapped under the fire such that it might cause it to be damaged. If connecting multiple appliances into the same outlet be sure not to connect more than 5 appliances. If more appliances are required they must be connected into a separate circuit.

The appliance can be connected to the fixed wiring of the premises through a suitable connection box positioned adjacent to the appliance. This electrical installation must be carried out by a competent electrician and be in strict accordance with the current I.E.E regulations for Electrical Equipment in Buildings.

The electrical can remove the supplied plug by the following;

1. Lift off the fuelbed and put switch 'A' into the off position (Fig 9).
2. Ensure that the appliance is unplugged.
3. Lift off the access cover by removing the retaining screw (Fig 15).
4. Unscrew and remove the Live, Neutral and Earth wires.
5. Unscrew the cable clamp (Fig 16 'A') and remove the supply cord.

The electrician can then connect their wire from the appliance (by following the steps above in reverse) to the connection box ensuring that it incorporates a double pole isolating switch having a contact separation of at least 3mm. Brown - Live (L), Blue - Neutral (N) and Green/Yellow - Earth (E).

Assembling the LED Log Fuelbed

This product is equipped with a 'metal fuelbed'. Before assembling the LED Log Fuelbed you have to lift off this metal fuelbed and place aside, (Fig.2). You can keep this for future use. Gently lift the LED Log Fuelbed out of its packaging.

CAUTION: Be sure to only lift the Fuelbed by the two center logs (Fig.5). These are the strongest. Place the Fuelbed on top of the appliance, there are 4 plastic guides under the Fuelbed to help locate it, (Fig.6). The Fuelbed can be placed front to back or back to front, it is the customer's preference how this is to be orientated. Once in place lift off the small loose log, this is held in place by magnets. Under this log there is a DC wire jack and a hole through the fuelbed. Connect this to the corresponding DC wire jack on the product through the holes in the Fuelbed, (Fig.7). The is now assembled and is ready to be switched on.

There is also a loose non LED log packed with the Fuelbed. For the CAS500 this can be placed on top of the Fuelbed or stored away with the packaging. For the CAS1000 the loose log can be placed on the center join between the two Fuelbeds.

Connecting the Receiver

Take your Receiver, 4button for CAS500 and 6button for CAS1000, and with the Fuelbed removed insert the 3.5mm jack into the socket at the back of the appliance (Fig.8). The Receiver has a cable length of 1.4m which will allow you position it anywhere around the product. If you prefer to hide it the Receiver can be placed inside the surround/wall. Please ensure that the Receiver is not enclosed in metal, concrete or any other dense material, this will affect the signal from the remote control.

Operating the Product

This section describes how to activate your fire using either the manual controls or remote control.

MANUAL CONTROLS






The manual controls are located beneath the Fuelbed. See Fig5

CAS500

Mains Switch 'A':- Controls the electricity supply to the appliance.

Note: This switch must be in the 'ON' (I) position for the appliance to operate

Button panel 'A':- Controls the functioning of the appliance

-  is the on/standby button. Press it to turn on and off the flame effect. Turning it on will be indicated by the main lights activating. Although the main lights operate immediately it will take a further 45 seconds before the flame effect starts.
-  is the BlueTooth button. This will pair your remote control to the receiver. See 'Remote Control Operation' for details
-  is the test mode button. This will be used by the manufacturer and the Service Engineer
-  is the reduce flame button. Press this to reduce the height/intensity of your flame. You will hear an audible beep when you reach the minimum level
-  is the increase flame button. Press this to increase the height/intensity of your flame. You will hear an audible

- beep when you reach the maximum level
- 🔊 is the reduce fire crackling sound. Press this to reduce the volume of the crackling sound. The minimum volume for this is off
- 🔊 is the increase fire crackling sound. Press this to increase the volume of the crackling sound.

CAS1000

Mains Switch 'A':- Controls the electricity supply to the appliance.

Note: This switch must be in the 'ON' (I) position for the appliance to operate

Button panel 'A':- Controls the functioning of the left side of appliance

- ⏻ is the on/standby button. Press it to turn on and off the flame effect. Turning it on will be indicated by the light activating. Although the main lights operate immediately it will take a further 45 seconds before the flame effect starts.
- 🔌 is the BlueTooth button. This will pair your remote control to the receiver. See 'Remote Control Operation' for details
- ⚙️ is the test mode button. This will be used by the manufacturer and the Service Engineer
- 🔥 is the reduce flame button. Press this to reduce the height/intensity of your flame. You will hear an audible beep when you reach the minimum level
- 🔥 is the increase flame button. Press this to increase the height/intensity of your flame. You will hear an audible beep when you reach the maximum level
- 🔊 is the reduce fire crackling sound. Press this to reduce the volume of the crackling sound. The minimum volume for this is off
- 🔊 is the increase fire crackling sound. Press this to increase the volume of the crackling sound.

Button panel 'B':- Controls the functioning of the left side of appliance

- ⚙️ is the test mode button. This will be used by the manufacturer and the Service Engineer
- 🔥 is the reduce flame button. Press this to reduce the height/intensity of your flame. You will hear an audible beep when you reach the minimum level
- 🔥 is the increase flame button. Press this to increase the height/intensity of your flame. You will hear an audible beep when you reach the maximum level
- 🔊 is the reduce fire crackling sound. Press this to reduce the volume of the crackling sound. The minimum volume for this is off
- 🔊 is the increase fire crackling sound. Press this to increase the volume of the crackling sound.

GETTING THE DESIRED FLAME EFFECT

1. Switch the appliance on by pressing the main switch to the on position and pressing the on/standby button. The flames will start after 45seconds. The flames will be at max height for 5seconds and then reduce to a nominal level
2. Press the 🔥 and 🔥 buttons to adjust the flame to your desired level. Please give the flame generator time to react to the changes you make.
3. Do not tilt or move the appliance while there is water in the tank or sump
4. Make sure that the appliance is on a level surface

Once you have made you adjustments to both the flame height and crackling sound the appliance will keep these settings even if you power off the appliance by either the on/standby button or by the main switch. The next time you switch on the appliance it will start up as normal, wait 45 seconds for the flames to start, run at maximum height for 5 seconds and then revert to the adjusted settings.

BLUETOOTH RECEIVER CONTROLS





There are manual controls on the BlueTooth Receiver

CAS500

- ⏻ is the on/standby button. Press it to turn on and off the flame effect.
- 🔊 is the fire crackling sound. Press this to turn on and off the crackling sound. The volume is adjusted on the manual controls of the appliance
- 🔥 is the reduce flame button. Press this to reduce the height/intensity of your flame. You will hear an audible beep when you reach the minimum level
- 🔥 is the increase flame button. Press this to increase the height/intensity of your flame. You will hear an audible beep when you reach the maximum level



CAS1000

- ⏻ is the on/standby button. Press it to turn on and off the flame effect.
- 🔊 is the fire crackling sound. Press this to turn on and off the crackling sound. The volume is adjusted on the manual controls of the appliance

-  is the reduce flame button for the left had side of the appliance. Press this to reduce the height/intensity of your flame. You will hear an audible beep when you reach the minimum level
-  is the increase flame button for the left had side of the appliance. Press this to increase the height/intensity of your flame. You will hear an audible beep when you reach the maximum level
-  is the reduce flame button for the right had side of the appliance. Press this to reduce the height/intensity of your flame. You will hear an audible beep when you reach the minimum level
-  is the increase flame button for the right had side of the appliance. Press this to increase the height/intensity of your flame. You will hear an audible beep when you reach the maximum level

BLUETOOTH REMOTE CONTROL

The remote control is supplied with 2xAAA batteries. Remove the battery cover from the underside of the remote control and after removing the batteries from the plastic wrapping fit them into place. Replace the battery cover.

The remote control has BlueTooth technology and is required to be paired to the BlueTooth receiver. This is done by pressing the  button on Button Panel 'A', the LED's will start to blink on and off. This is to let you know that the appliance is ready to connect to the remote control. Press the  button on the remote control. The appliance will switch off. Now the remote control is paired to the appliance.

The operation of the remote control is the same as described in 'Receiver Controls'. You can pair multiple products to the one remote control by repeating the pairing operation as above on your subsequent products.

The operation of the remote control is the same as described in 'Bluetooth Receiver Controls'.

Maintenance

GENERAL TIPS

Only use filtered tap water in this appliance.

Always ensure that the appliance is sitting on a level surface.

If you intend not using the appliance for longer than 2 weeks, remove and empty the sump and water tank.

Once installed, never move this appliance or lay on its back, without draining the water from sump and water tank.

CLEANING

Warning – Always press Switch 'A' to the 'OFF' (0) position (Fig.10) and disconnect from the power supply before cleaning the fire.

We recommend cleaning the following components once every 2 weeks, particularly in hard water areas:-

Water Tank, Sump, Nozzle, Tank cap and seal, Air filter.

For general cleaning use a soft clean duster – never use abrasive cleaners.

To remove any accumulation of dust or fluff the soft brush attachment of a vacuum cleaner should occasionally be used to clean the outlet grille of the fan heater.

Water tank

1. Remove water tank, as described earlier, put into sink and empty water.
2. Using the supplied brush gently rub the inside surfaces of the cap paying particular attention to the rubber ring in the outer groove and the centre rubber seal.
3. Put a small quantity of washing up liquid into the tank, refit the cap and shake well, rinse out until all traces of washing up liquid are gone.
4. Refill with filtered tap water only, replace the cap, do not overtighten.

Sump

1. Press Switch 'A' to the 'OFF' (0) position
2. Gently lift out the fuelbed and place carefully on the ground.
3. Remove the water tank by lifting upwards.
4. Disconnect the electrical connector, located on the right side of the sump. (Fig.5) .
5. Release the right sump locking tabs by turning 90°. This allows the sump to be lifted completely from its location. (Fig. 11)
6. Gently lift up the sump, taking care to keep level so as not to spill any water. Sit the assembly in the sink.
7. Release the left sump locking tabs by turning 90°, then lift off the Nozzle. (Fig.3)
8. Lift out the transducer and carefully tilt, as shown, so that the liquid drains out of the sump. (Fig.13)
9. Put a small amount of washing up liquid into the sump, and using the supplied brush, gently clean all surfaces in the sump and gently clean the transducer including the metal discs located in the top grooved surface. (Fig.14)
10. When cleaned, thoroughly rinse the sump with clean water to remove all traces of washing up liquid.
11. Clean the Nozzle with the brush and flush out thoroughly with water. (Fig.15)
12. Reverse the above steps to reassemble.

Transducer

The transducer is a consumable item and may need to be replaced through time, depending on its usage. Replacement transducers can be purchased from our website <http://spares.dimplex.co.uk>. The transducer is fixed in the sump with a

plastic clip. If you need to replace your transducer

1. Follow the steps 1-5 in the CLEANING Sump section under 'Maintenance' to gain access to the transducer
2. Press the clip back and lift the transducer upwards out of its holder.
3. Remove the cone by turning it clockwise and place it on your new transducer. Turn the cone anticlockwise until tight to fix it in place
4. Reverse steps 5-1 to reassemble

Air filter

1. Gently lift out the fuelbed and place carefully on the ground.
2. Gently slide the air filter upwards out of its plastic holder. (Fig.16)
3. Gently rinse with water in the sink and dry with fabric towel before returning.
4. Replace the filter making sure that the coarse black filter is facing the front of the fire.
5. Replace the fuelbed.

Additional Information

AFTER SALES SERVICE

Your product is guaranteed for one year from the date of purchase. Within this period, we undertake to repair or exchange this product free of charge (excluding transducer discs & subject to availability) provided it has been installed and operated in accordance with these instructions. Your rights under this guarantee are additional to your statutory rights, which in turn are not affected by this guarantee.

RECYCLING



For electrical products sold within the European Community - At the end of the electrical products useful life it not be disposed of with household waste. Please recycle where facilities exist. Check with your Local Authority or retailer for recycling advice in your country.

PATENT / PATENT APPLICATION

Products within the Optimyst range are protected by one or more of the following patents and patent applications:

Great Britain GB2460259B, GB2475794B, GB2418014, EP2029941, GB2436212, GB2402206B

United States US8413358, US8136276, US7967690, US8574086

Russia RU2434181

European EP2029941, EP2315976, EP1787063 (A1), EP2388527, EP2029941,

China CN101883953A, CN102105746A, CN101057105 (A), CN101438104

Australia AU2009248743A1, AU2007224634

Canada CA2725214, CA2579444, CA2645939

South Africa ZA2008/08702

Mexico MX2008011712

South Korea KR101364191

Japan JP5281417, JP5496291

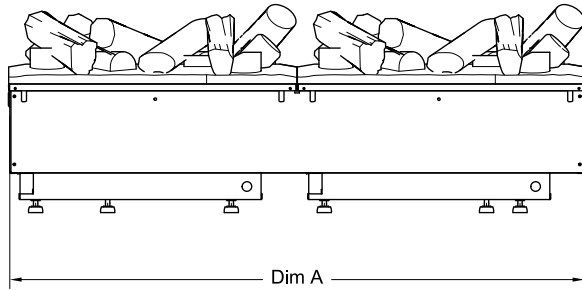
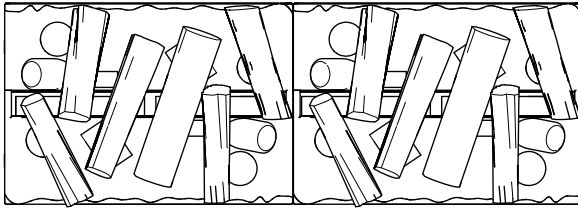
Brazil BRP10708894

India 4122/KOLNP/2008

New Zealand NZ571900

Troubleshooting

Symptom	Cause	Corrective Action
The flame effect will not start.	<p>Mains plug is not plugged in.</p> <p>Low water level.</p> <p>Low voltage connector not connected properly. (See Fig.10)</p>	<p>Check plug is connected to wall socket correctly.</p> <p>Check that the water tank is full and there is water in the sump.</p> <p>Check that the connector is inserted correctly. (See Fig.10)</p>
The flame effect is too low.	<p>Flame effect control knob is set too low.</p> <p>The Disc in the transducer might be dirty</p> <p>The wire from the Transducer Unit is sitting over the disc</p>	<p>Increase level of flame by pressing 🔥 on your remote or receiver</p> <p>Clean the Disc with a soft brush. See 'Maintenance.' for a step by step procedure.</p> <p>Direct the wire to the back of the sump and make sure it sits into the side slot exiting the sump.</p>
Unpleasant smell when unit is used.	<p>Dirty or stale water.</p> <p>Using unfiltered tap water.</p>	<p>Clean the unit as described under maintenance.</p> <p>Use only filtered tap water.</p>
The flame effect has too much smoke.	<p>Flame effect setting is too high.</p>	<p>Turn down the flame effect. Give the flame generator some time to adjust to the new setting.</p>



MODEL	DIM 'A'
CAS500	508mm
CAS1000	1017mm

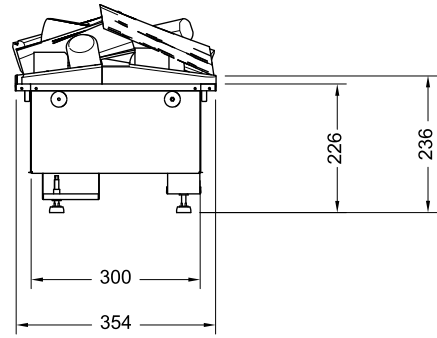


Fig.1

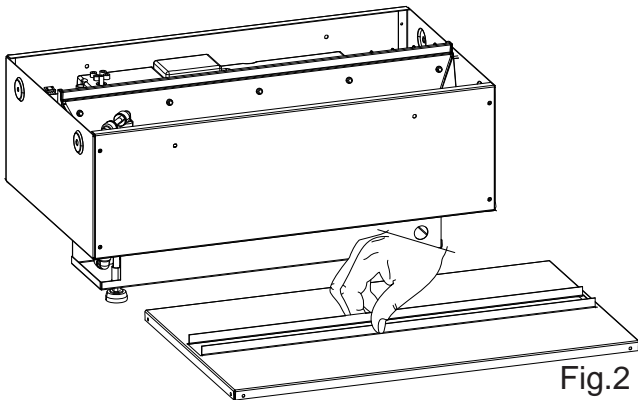


Fig.2

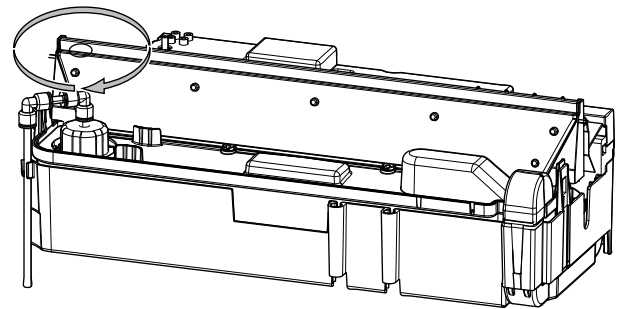


Fig.3a

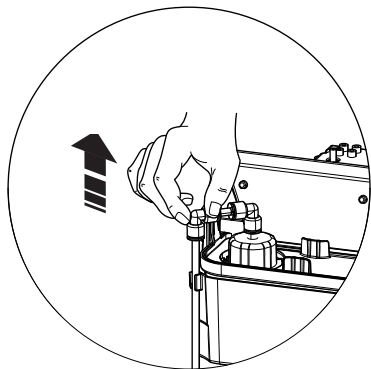


Fig.3b

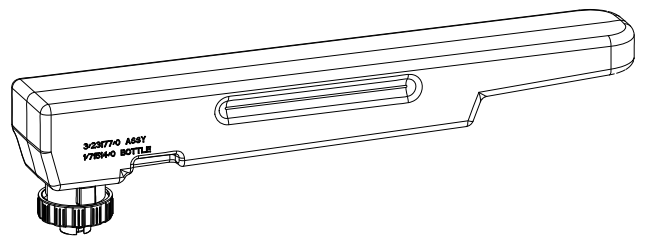


Fig.3c

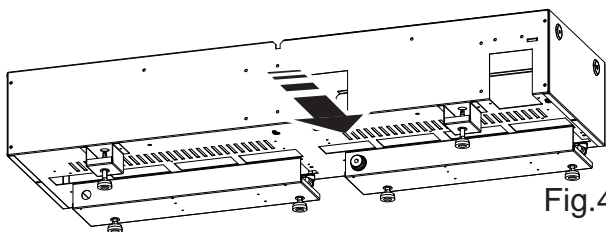


Fig.4

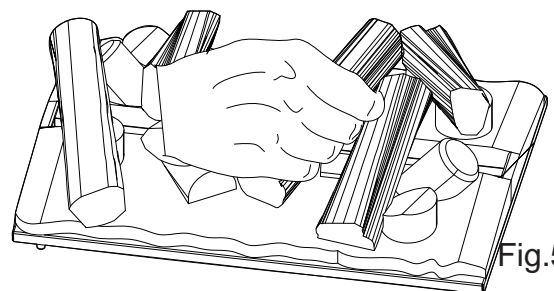


Fig.5

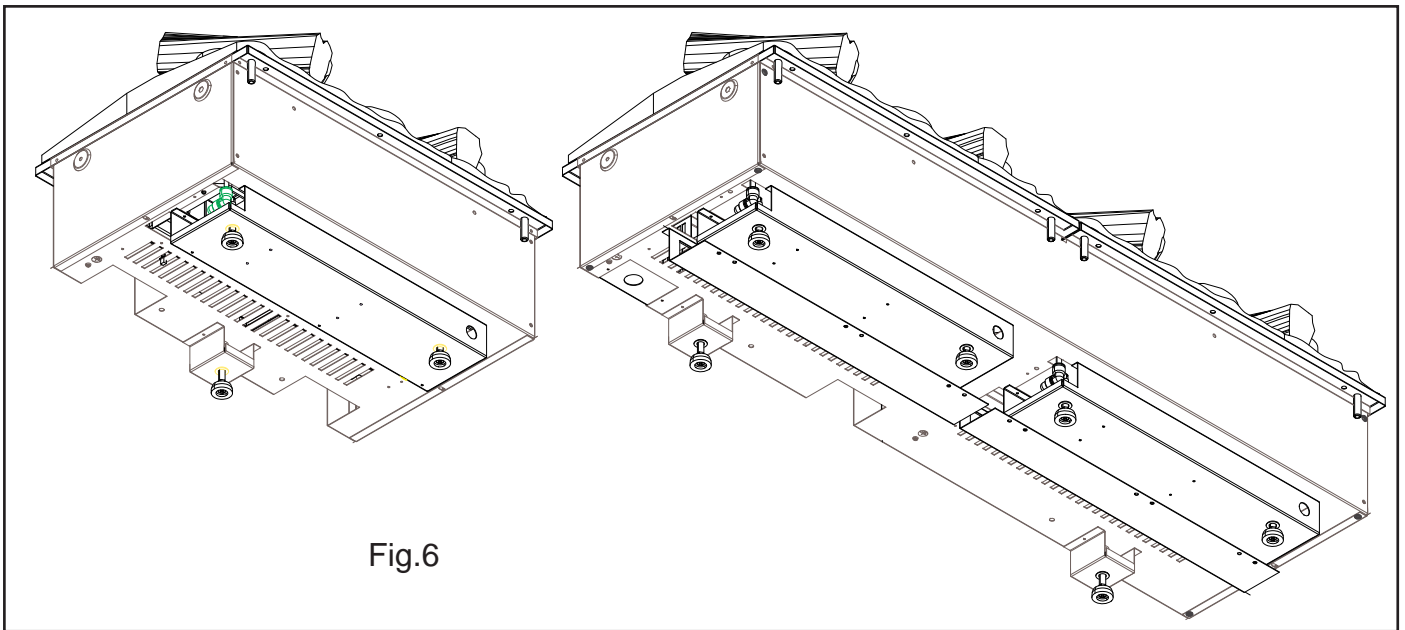


Fig.6

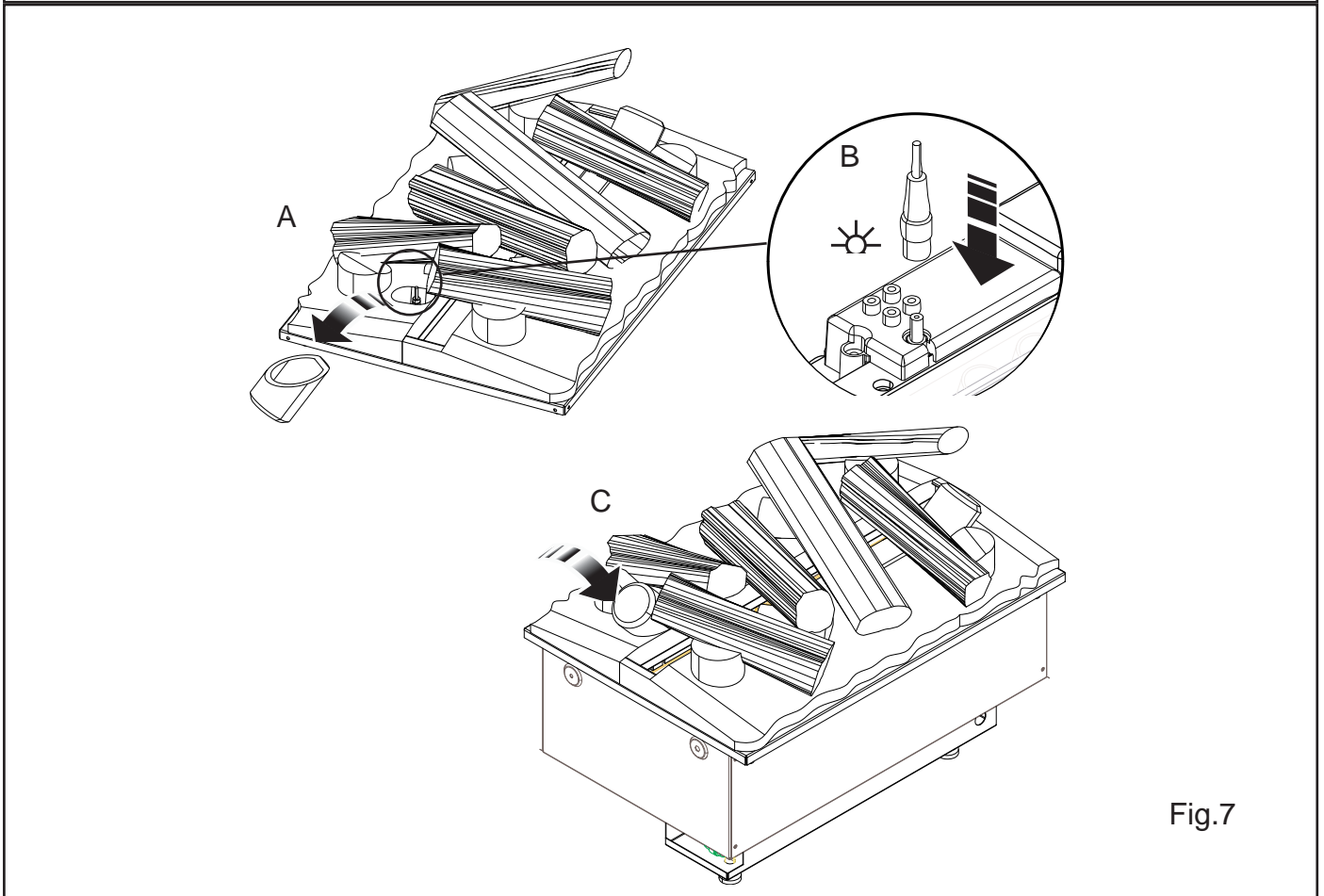


Fig.7

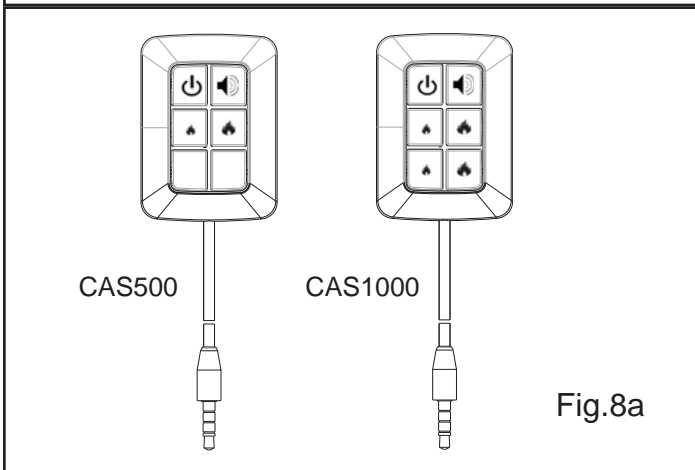


Fig.8a

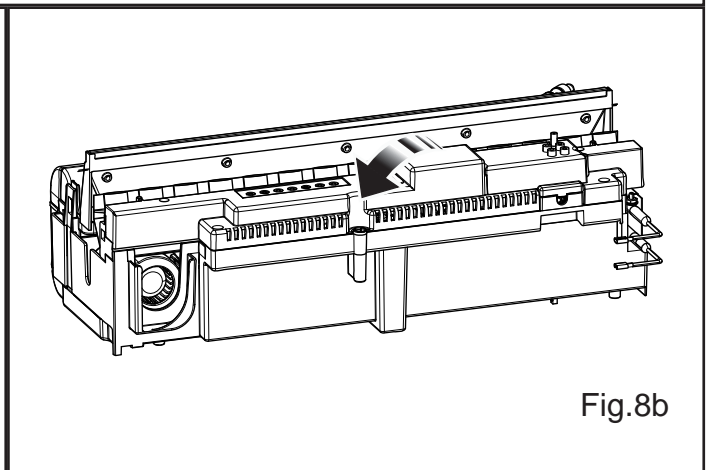
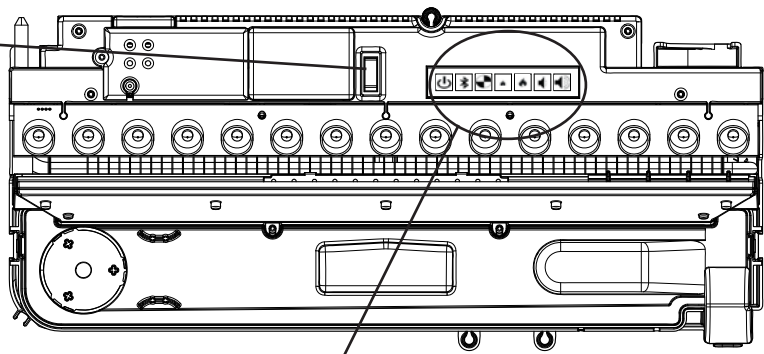
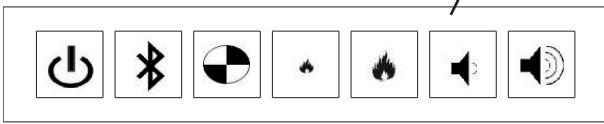


Fig.8b

Switch 'A'



CAS500



CAS1000

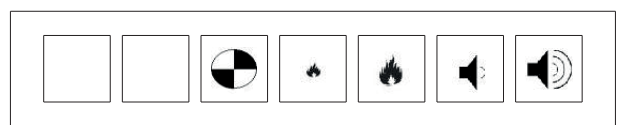
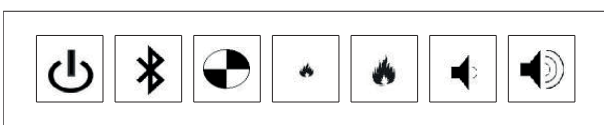


Fig.9

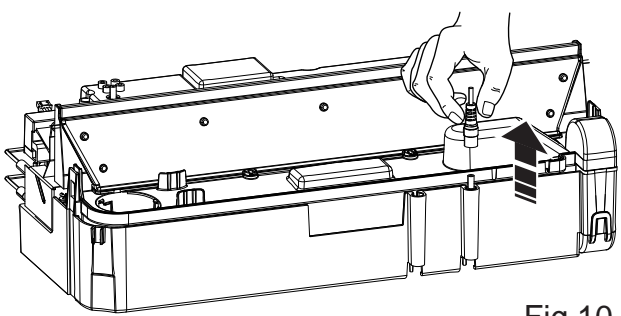


Fig.10

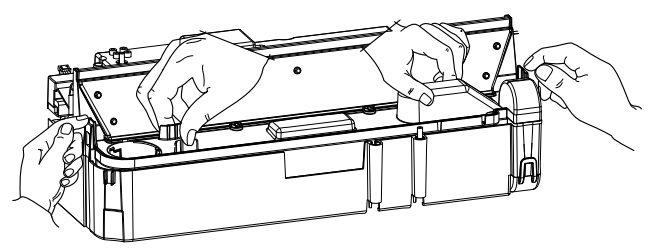


Fig.11

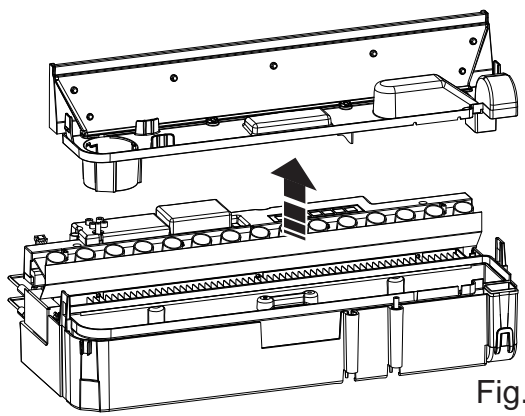


Fig.12

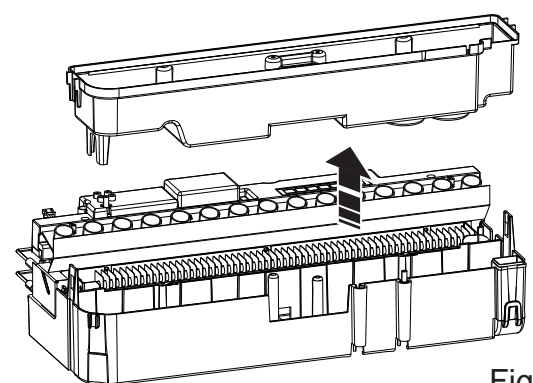


Fig.13

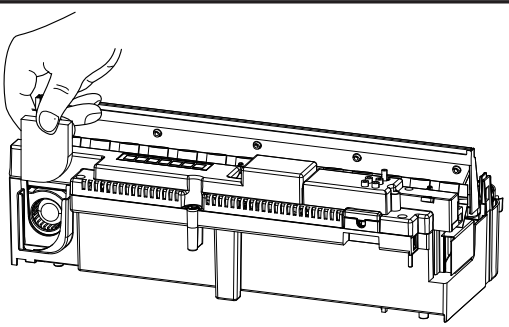
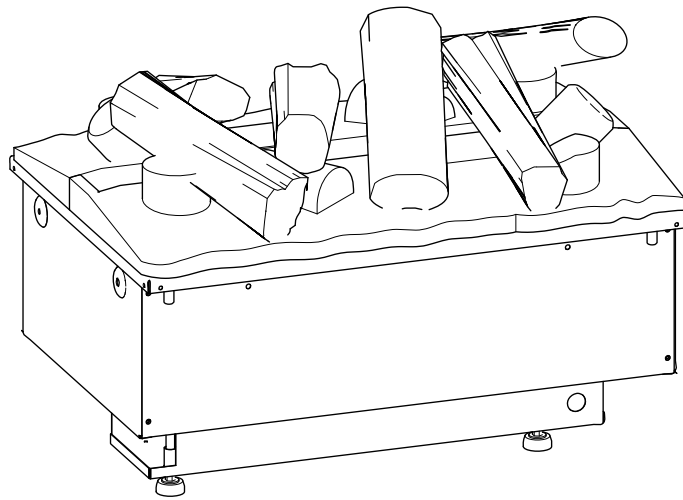
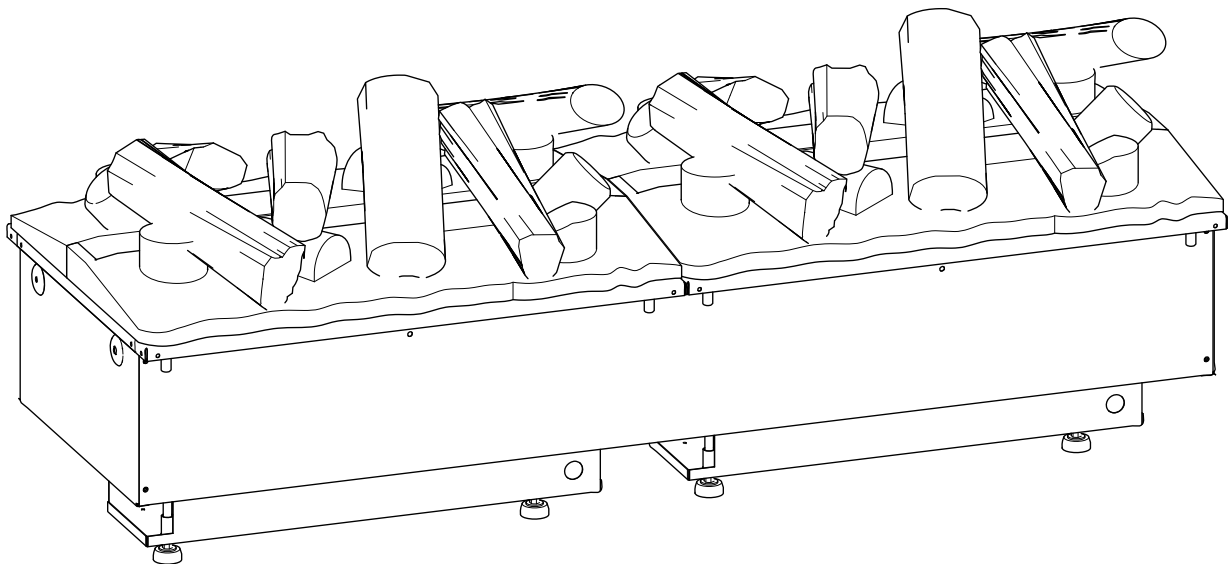


Fig.14

Dimplex



CAS500



CAS1000

Dimplex CAS500, CAS1000

Einführung

Bitte lesen Sie diese Anleitungen sorgfältig durch, damit Sie Ihr neues Produkt sicher aufstellen, einsetzen und warten können.

Wichtige Sicherheitshinweise

Beim Gebrauch von elektrischen Geräten sollten die grundlegenden Sicherheitsmaßnahmen immer befolgt werden, um das Risiko von Brandbildung, elektrischem Schock und Verletzungen zu minimieren. Das schließt Folgendes ein:

Wenn das Gerät beschädigt ist, wenden Sie sich vor einer Installation und Inbetriebnahme sofort an den Lieferanten.

Das Gerät darf nicht im Freien verwendet werden.

Nicht in unmittelbarer Nähe von Bädern, Duschen oder Schwimmbädern verwenden.

Das Gerät darf nicht direkt über oder unter einer festen Steckdose oder Abzweigdose montiert werden.

Dieses Gerät kann von Kindern über 8 Jahren, von Personen, deren körperliche oder geistige Unversehrtheit oder deren Wahrnehmungsfähigkeit eingeschränkt ist, sowie von Personen mit mangelnden Kenntnissen oder Erfahrung benutzt werden. Dies gilt nur unter der Voraussetzung, dass sie beaufsichtigt werden oder dass sie eine Einweisung in die sichere Nutzung des Geräts und die damit verbundenen Gefahren erhalten haben. Kinder dürfen mit dem Gerät nicht spielen. Reinigung und Wartung dürfen ohne Beaufsichtigung nicht von Kindern durchgeführt werden.

Kinder unter 3 Jahren sollten sich ohne Beaufsichtigung nicht in der Nähe des Geräts aufhalten.

Kinder von 3 bis 8 Jahren sollten das Gerät nur ein- oder ausschalten dürfen, wenn es in der dafür vorgesehenen Betriebsposition platziert oder montiert wurde. Dies gilt nur unter der Voraussetzung, dass sie beaufsichtigt werden oder dass sie eine Einweisung in die sichere Nutzung des Geräts und die damit verbundenen Gefahren erhalten haben. Kinder von 3 bis 8 Jahren dürfen das Gerät nicht an eine Steckdose anschließen, benutzen bzw. reinigen oder das Gerät warten.

VORSICHT: Einige Geräteteile können sehr heiß werden und Verbrennungen hervorrufen. Achten Sie besonders darauf, wenn Kinder oder schutzbedürftige Personen anwesend sind.

Das Gerät nicht zu einer Wärmeregulierung, einer Programmsteuerung, einer Zeitschaltuhr oder einem anderen Gerät in Reihe schalten, mit dem die Wärmequelle automatisch geschaltet wird. Bei versehentlicher Blockierung oder Verstellung des Geräts besteht Brandgefahr.

Sicherstellen, dass Möbelstücke, Vorhänge/Gardinen und andere entzündbare Materialien mindestens 1 Meter Abstand vom Gerät haben.

Bei einem Fehler den Netzstecker des Geräts ziehen.

Netzstecker des Geräts ziehen, wenn es längere Zeit nicht benötigt wird.

Obwohl dieses Gerät die Sicherheitsnormen erfüllt, empfehlen wir den Gebrauch auf Langflorteppichböden oder Langflorläufern nicht.

Das Gerät muss so aufgestellt werden, dass der Netzstecker zugänglich ist.

Wenn das Netzkabel beschädigt ist, muss es vom Hersteller, einer Kundendienstvertretung oder einer vergleichbar qualifizierten Person ausgetauscht werden, um Gefahren zu vermeiden.

Das Netzkabel nicht in der Nähe der Vorderseite des Geräts verlegen.

ACHTUNG: Um Überhitzungen zu vermeiden, darf das Gerät nicht zugedeckt werden. Keine Gegenstände oder Kleidungsstücke auf das Gerät legen und die Luftzirkulation um das Gerät herum nicht behindern.

Das Gerät verfügt über ein Warnhinweis mit dem Hinweis NICHT BEDECKEN. 

Dieses Gerät ist nicht mit einer Vorrichtung zur Regelung der Raumtemperatur ausgestattet. Dieses Gerät darf nicht in kleinen Räumen verwendet werden, in denen sich Personen befinden, die die Räume nicht selbstständig verlassen können; es sei denn, es steht eine Aufsichtsperson permanent bereit.

Allgemeine Informationen

In diesem Gerät darf nur gefiltertes Wasser verwendet werden.

Das Gerät vorsichtig auspacken und die Verpackung für spätere Zwecke aufbewahren, z. B. für einen Umzug oder für die Rücksendung an den Händler.

Immer darauf achten, dass das Gerät auf ebenem Untergrund steht.

Das Gerät erzeugt nur einen Flammeneffekt.

Dieses Gerät ist für den Einbau in einer Umrandung oder in der Einbauöffnung einer Wand vorgesehen.

Vor dem Anschluss des Geräts überprüfen, dass die eingespeiste Spannung der auf dem Gerät angegebenen entspricht.

Hinweis: Bei Verwendung in Umgebungen mit wenigen Hintergrundgeräuschen sind Betriebsgeräusche aufgrund des Flammeneffekts unter Umständen hörbar. Dies ist normal und kein Grund zur Beunruhigung.

Nach der Installation darf dieses Gerät nicht transportiert oder auf die Rückseite gelegt werden, ohne zuvor das Wasser aus dem Sumpf und Wasserbehälter abzulassen.

Einmal alle zwei Wochen müssen der Wassertank, Sumpf, der Sumpfdeckel, Tankdeckel und die Luftfilter gereinigt werden, insbesondere in Regionen mit hartem Wasser.

Falls das Gerät länger als 2 Wochen nicht benutzt wird, muss das Wasser aus dem Sumpf und Wasserbehälter abgelassen und der Sumpf getrocknet werden.

Der Sumpf und der Wasserbehälter in diesem Gerät sind mit einem Biozid-Produkt, nämlich Silberbiozid, behandelt. Dies entspricht der aktuellsten einschlägigen ISO-Norm.

Das Wasser aus dem Sumpf oder Behälter darf nicht als Trinkwasser verköstigt werden.

Dieses Gerät muss stets am Hauswasseranschluss angeschlossen sein und darf nicht mithilfe eines Schlauchs gespeist werden.

Installationsanleitung

Im Folgenden wird erläutert, wie das Gerät aufgebaut wird.

VOR DER ERSTEN VERWENDUNG

1. Das Verpackungsmaterial von sämtlichen Teilen entfernen (eventuelle Aufkleber mit Warnhinweisen beachten) und für spätere Zwecke aufbewahren.
2. Vor dem Anschluss des Geräts überprüfen, dass die eingespeiste Spannung der auf dem Gerät angegebenen entspricht.
3. Immer darauf achten, dass das Gerät auf ebenem Untergrund steht.
4. Die obere Metallplatte abheben, um Zugang zum Gerät zu erhalten. Die obere Platte sollte zusammen mit der Verpackung für eine mögliche zukünftige Verwendung sicher aufbewahrt werden. (Abb. 2)

Einbauanleitung

Das Gerät kann in einer Wand eingebaut, oder an einer Umrandung bzw. Wandkonstruktion angebracht werden. Die Produktabmessungen aus Abb. 1 sollten notiert und die spätere Wand bzw. Umrandung entsprechend angepasst werden. Ein Mindestabstand von 400 mm muss zwischen der Unterkante des Feuerbetts und jeglichem Regal/Gehäuse oberhalb des Geräts eingehalten werden. So wird sichergestellt, dass sich die Flammen in diesem Bereich komplett ausbreiten können und nicht blockiert werden.

Um ordnungsgemäß zu funktionieren, muss das Gerät von der Unterseite aus belüftet werden können. Mithilfe dieser Belüftung werden die elektronischen Bauteile gekühlt und der Wasserdampf mühelos aus dem Sumpf austreten und das Gerät verlassen.

DER BELÜFTUNGSBEREICH DES CAS500 BETRÄGT MIND. 210 CM².

DER BELÜFTUNGSBEREICH DES CAS1000 BETRÄGT MIND. 420 CM².

Umrandung/Einbauöffnung

Die Modelle CAS500 und CAS1000 sind für den Einbau in einer Umrandung oder in der Einbauöffnung einer Wand vorgesehen. Mithilfe der Abmessungen aus Abb. 1 kann eine Aussparung für das Gerät festgelegt werden. Dabei sicherstellen, dass für den Wasser- bzw. Elektroanschluss noch ausreichend Platz unter und rund um das Gerät vorhanden ist. Sobald die Umrandung/Wand vorbereitet ist, kann das Gerät eingesetzt werden. Das LED Holzscheite-Feuerbett so einsetzen, dass es mittig sitzt. Siehe dazu den Abschnitt „Zusammenbau des LED Holzscheite-Feuerbettes“. Nachdem die korrekte Position gefunden wurde, das Feuerbett anheben und es mit den entsprechenden Schrauben für die Umrandungs- bzw. Wandmontage befestigen; dabei das Gerät mithilfe der vorgebohrten Öffnungen auf der linken und rechten Seite sichern.

Wasserversorgung

Das Gerät kann mithilfe des dafür vorgesehenen Wasserbehälters betrieben werden, oder über den Anschluss an die Hauswasserversorgung.

Wasserbehälter: Der Verschluss muss vom Sumpf abgenommen werden. (Abb. 3a und Abb 3b). Den Wasserbehälter (Abb. 3c) in ein Spülbecken legen und den Verschluss (gegen den Uhrzeigersinn) abschrauben. Wasserbehälter nur mit **gefiltertem Leitungswasser füllen**. Dadurch verlängert sich die Lebensdauer des Rauch- und Flammengenerators. Zum Filtern des Wassers sollte ein handelsüblicher Wasserfilter benutzt werden, der regelmäßig auszutauschen ist. Destilliertes Wasser darf **nicht** benutzt werden.

Wasserversorgung: Falls das Wasser aus der Hauswasserversorgung benutzt wird, sollten die Flasche(n) samt der Metallplatte und Verpackung aufgehoben werden. Der Anschluss an die Hauswasserversorgung kann mithilfe des Einstechventils (im Lieferumfang) vorgenommen werden;

1. Das Einstechventil auf das Wasserrohr aufsetzen: Maximal 1/2" (12,7 mm) Rohr
2. Das Einstechventil wird mithilfe eines 1/4" (6,35 mm) PVC-Schlauchs (nicht im Lieferumfang) an den mitgelieferten Wasserfilter angeschlossen und vor dort aus in das Gerät (Abb. 4) geführt.
3. Das Ventil im Uhrzeigersinn drehen, um die Verbindung mit dem Wasserrohr herzustellen. Das Ventil gegen den Uhrzeigersinn drehen, damit das Wasser durch das Ventil strömen kann. Um den Wasserzufluss zu stoppen, das Ventil bis zum Versiegen des Wasserflusses gegen den Uhrzeigersinn drehen.

4. Den internen Kugelhahn zuschalten. Dieser befindet sich unter dem Sumpf. Den Sumpf entfernen, wie im Wartungsabschnitt „Reinigung“ erläutert.

Hinweis: der Wasserdruck muss zwischen 8 bar (800 kpa) und 0,5 bar (50 kpa) liegen.

Bei Unsicherheit sollte ein qualifizierter Installateur den Anschluss vornehmen, um einen ordnungsgemäßen und sicheren Anschluss zu gewährleisten.

Elektroanschluss

Das Gerät an eine Steckdose anschließen, die mit 13 A/240 V versorgt wird. Sicherstellen, dass die Steckdose nach der Montage zugänglich ist, um das Gerät wieder trennen zu können. Das Netzkabel muss an der Rückseite des Kamins rechts oder links in der Ecke auf möglichst kurzem Wege zur Steckdose austreten und darf nicht unter dem Kamineinsatz eingeklemmt werden, da es hierdurch beschädigt werden kann. Darauf achten, dass nicht mehr als 5 Geräte an dieselbe Steckdose angeschlossen werden. Falls mehrere Geräte eingesetzt werden sollen, müssen sie an eine separate Steckdose angeschlossen werden.

Das Gerät kann über einen geeigneten Schaltkasten, der sich unmittelbar neben dem Gerät befindet, fest an die elektrische Versorgung des Gebäudes angeschlossen werden. Der elektrische Anschluss darf nur von einer qualifizierten Elektrofachkraft unter strikter Einhaltung der aktuell geltenden IEE-Vorschriften für elektrische Installationen in Gebäuden vorgenommen werden.

Die Elektrofachkraft kann den Stecker wie folgt entfernen:

1. Das Feuerbett anheben und der Schalter „A“ auf die Position „Aus“ (Abb. 9) stellen.
2. Zuerst den Netzstecker ziehen.
3. Die Abdeckung kann entfernt werden, nachdem die Sicherungsschraube (Abb. 15) gelöst wird.
4. Phase, Nullleiter und Schutzleiter lösen und entfernen.
5. Die Kabelschelle (Abb. 16 „A“) sowie das Netzkabel entfernen.

Der Elektriker kann anschließend die Kabel des Geräts (ausführen der oben beschriebenen Schritte in umgekehrter Reihenfolge) an den Anschlusskasten anschließen und muss dabei sicherstellen, dass ein zweipoligen Trennschalter vorhanden ist, bei dem die Kontakte mindestens 3 mm Abstand zueinander haben. Braun - Phase (L), Blau - Nullleiter (N) und Grün/Gelb - Schutzleiter (E).

Zusammenbau des LED Holzscheite-Feuerbettes

Dieses Gerät ist mit einem Feuerbett aus Metall ausgestattet. Vor Zusammenbau des LED Holzscheite-Feuerbettes muss genau dieses Feuerbett herausgehoben und beiseite gelegt werden (Abb. 2). Für eine zukünftige Verwendung aufheben. Das LED Holzscheite-Feuerbett vorsichtig aus der Verpackung nehmen.

VORSICHT: Das Feuerbett nur an den beiden mittleren Scheiten anheben (Abb. 5). Diese Scheite sind am stabilsten. Das Feuerbett mithilfe der 4 Führungsnuten aus Kunststoff (Abb. 6), die sich unterhalb des Feuerbetts befinden, auf das Gerät aufsetzen. Die jeweilige Ausrichtung des Feuerbettes, also entweder Vorder- oder Rückseite, kann je nach Kundengeschmack vorgenommen werden. Nach erfolgter Ausrichtung des Geräts den kleinen Scheit anheben, der nur mithilfe von Magneten befestigt ist. Darunter befindet sich eine DC-Buchse und die Kabelöffnung für das Feuerbett. Das Feuerbett jetzt, durch die Kabelöffnung (Abb. 7), mit der entsprechenden DC-Buchse am Gerät verbinden. Die Einheit ist jetzt betriebsbereit und kann eingeschaltet werden.

Im Lieferumfang des Feuerbettes befindet sich auch ein Scheit ohne LED-Beleuchtung. Bei Modell CAS500 kann dieser Scheit entweder auf das Feuerbett aufgelegt oder in der Verpackung belassen werden. Bei Modell CAS1000 kann dieser Scheit als Verbindungselement mittig zwischen die beiden Feuerbetten gelegt werden.

Empfänger verbinden

Das Feuerbett entfernen und den Empfänger (4-Tasten für CAS500 und 6-Tasten für CAS1000) mithilfe des 3,5 mm Klinckensteckers über die Buchse mit der Rückseite des Geräts verbinden (Abb. 8). Das Empfängerkabel ist 1,4 m lang und kann in unmittelbarer Nähe des Geräts positioniert werden. Bei Bedarf kann der Empfänger auch innerhalb der Umrandung/Wand installiert werden. Sicherstellen, dass der Empfänger nicht von Metall, Beton oder anderen dichten Materialien umschlossen ist, da diese das Signal der Fernbedienung beeinträchtigen könnten.

Gerätebetrieb

In diesem Abschnitt wird das Einschalten des Kamins mithilfe des manuellen Bedienelements oder der Fernbedienung beschrieben.

MANUELLE BEDIENELEMENTE

Die manuellen Bedienelemente sind hinter dem Feuerbett angeordnet. Siehe Abb. 5

CAS500

Hauptschalter „A“: Regelt die Energieversorgung zum Gerät.

Hinweis: Dieser Schalter muss auf „ON“ (I) stehen, damit das Gerät betrieben werden kann.

Bedienelement „A“: Regelt die Gerätefunktionen

- Taste Ein-/Standby. Drücken zum Ein-/Ausschalten des Flammeneffekts. Der Einschaltvorgang wird durch die Hauptleuchten angezeigt. Zwar reagieren die Hauptleuchten sofort, allerdings dauert die Aktivierung des Flammeneffekts weitere 45 Sekunden.
- Taste Bluetooth. Koppelt die Fernbedienung mit dem Empfänger. Siehe „Betrieb über die Fernbedienung“ für weitere Informationen.
- Taste Testmodus. Diese Taste wird vom Hersteller oder Servicetechniker benutzt.
- Taste Flammenreduktion. Mithilfe dieser Taste kann die Höhe/Intensität der Flamme verringert werden. Bei Erreichen der Mindesthöhe wird ein Signalton ausgegeben.

- Taste Flammenverstärkung. Mithilfe dieser Taste kann die Höhe/Intensität der Flamme verstärkt werden. Ein Signalton wird ausgegeben, sobald die Maximalhöhe erreicht wird.
- Verringern des Flammengeräuschs. Mithilfe dieser Taste wird das Flammengeräusch verringert. Bei minimaler Lautstärkeeinstellung wird das Geräusch ausgeschaltet.
- Verstärken des Flammengeräuschs. Mithilfe dieser Taste wird das Flammengeräusch verstärkt.

CAS1000

Hauptschalter „A“: Regelt die Energieversorgung zum Gerät.

Hinweis: Dieser Schalter muss auf „ON“ (I) stehen, damit das Gerät betrieben werden kann.

Bedienelement „A“: Regelt die Funktionen auf der linken Seite des Geräts.

- Taste Ein-/Standby. Drücken zum Ein-/Ausschalten des Flammeneffekts. Der Einschaltvorgang wird durch die Leuchten angezeigt. Zwar reagieren die Hauptleuchten sofort, allerdings dauert die Aktivierung des Flammeneffekts weitere 45 Sekunden.
- Taste Bluetooth. Koppelt die Fernbedienung mit dem Empfänger. Siehe „Betrieb über die Fernbedienung“ für weitere Informationen.
- Taste Testmodus. Diese Taste wird vom Hersteller oder Servicetechniker benutzt.
- Taste Flammenreduktion. Mithilfe dieser Taste kann die Höhe/Intensität der Flamme verringert werden. Bei Erreichen der Mindesthöhe wird ein Signalton ausgegeben.
- Taste Flammenverstärkung. Mithilfe dieser Taste kann die Höhe/Intensität der Flamme verstärkt werden. Ein Signalton wird ausgegeben, sobald die Maximalhöhe erreicht wird.
- Verringern des Flammengeräuschs. Mithilfe dieser Taste wird das Flammengeräusch verringert. Bei minimaler Lautstärkeeinstellung wird das Geräusch ausgeschaltet.
- Verstärken des Flammengeräuschs. Mithilfe dieser Taste wird das Flammengeräusch verstärkt.

Bedienelement „B“: Regelt die Funktionen auf der linken Seite des Geräts.

- Taste Testmodus. Diese Taste wird vom Hersteller oder Servicetechniker benutzt.
- Taste Flammenreduktion. Mithilfe dieser Taste kann die Höhe/Intensität der Flamme verringert werden. Bei Erreichen der Mindesthöhe wird ein Signalton ausgegeben.
- Taste Flammenverstärkung. Mithilfe dieser Taste kann die Höhe/Intensität der Flamme verstärkt werden. Ein Signalton wird ausgegeben, sobald die Maximalhöhe erreicht wird.
- Verringern des Flammengeräuschs. Mithilfe dieser Taste wird das Flammengeräusch verringert. Bei minimaler Lautstärkeeinstellung wird das Geräusch ausgeschaltet.
- Verstärken des Flammengeräuschs. Mithilfe dieser Taste wird das Flammengeräusch verstärkt.

EINSTELLEN DES GEWÜNSCHTEN FLAMMENEFFEKTS

1. Um das Gerät einzuschalten, muss zuerst der Hauptschalter auf die Position „Ein“ gestellt und anschließend die Ein-/Standby-Taste gedrückt werden. Der Flammeneffekt beginnt nach 45 Sekunden. Die Flammen befinden sich für 5 Sekunden auf max. Höhe und werden anschließend auf das Normalniveau abgesenkt.
2. Die Taste und drücken, um die Flammenhöhe je nach Wunsch einzustellen. Der Flammengenerator benötigt einen Moment, um die gewünschten Einstellungen umzusetzen.
3. Wenn sich Wasser im Behälter oder Sumpf befindet, darf das Gerät nicht gekippt oder versetzt werden.
4. Das Gerät muss auf einem ebenem Untergrund stehen.

Nach der Feineinstellung von Flammenhöhe und Flammengeräusch werden diese Einstellungen dauerhaft, auch nach einer Trennung vom Stromnetz durch Drücken der Ein-/Standby-Taste oder Betätigen des Hauptschalters, gespeichert. Das Gerät wird beim nächsten Neustart normal gestartet, der Flammeneffekt beginnt nach 45 Sekunden und läuft 5 Sekunden lang auf max. Höhe und kehrt anschließend zu den persönlichen Einstellungen zurück.

BLUETOOTH EMPFÄNGERSTEUERUNG




Der Bluetooth-Empfänger besitzt manuelle Bedienelemente.

CAS500

- Taste Ein-/Standby. Drücken zum Ein-/Ausschalten des Flammeneffekts.
- Flammengeräusch. Drücken zum Ein-/Ausschalten des Flammengeräuschs. Die Lautstärke kann mithilfe der manuelle Bedienelemente am Gerät eingestellt werden.
- Taste Flammenreduktion. Mithilfe dieser Taste kann die Höhe/Intensität der Flamme verringert werden. Bei Erreichen der Mindesthöhe wird ein Signalton ausgegeben.
- Taste Flammenverstärkung. Mithilfe dieser Taste kann die Höhe/Intensität der Flamme verstärkt werden. Ein Signalton wird ausgegeben, sobald die Maximalhöhe erreicht wird.



CAS1000

- Taste Ein-/Standby. Drücken zum Ein-/Ausschalten des Flammeneffekts.
- Flammengeräusch. Drücken zum Ein-/Ausschalten des Flammengeräuschs. Die Lautstärke kann mithilfe der manuelle Bedienelemente am Gerät eingestellt werden.
- verringert den Flammeneffekt auf der linken Seite des Geräts. Mithilfe dieser Taste kann die Höhe/Intensität der Flamme verringert werden. Bei Erreichen der Mindesthöhe wird ein Signalton ausgegeben.

-  verstärkt den Flammeneffekt auf der linken Seite des Geräts. Mithilfe dieser Taste kann die Höhe/Intensität der Flamme verstärkt werden. Ein Signalton wird ausgegeben, sobald die Maximalhöhe erreicht wird.
-  verringert den Flammeneffekt auf der rechten Seite des Geräts. Mithilfe dieser Taste kann die Höhe/Intensität der Flamme verringert werden. Bei Erreichen der Mindesthöhe wird ein Signalton ausgegeben.
-  verstärkt den Flammeneffekt auf der rechten Seite des Geräts. Mithilfe dieser Taste kann die Höhe/Intensität der Flamme verstärkt werden. Ein Signalton wird ausgegeben, sobald die Maximalhöhe erreicht wird.

BLUETOOTH FERNBEDIENUNG

Die Fernbedienung wird mit 2 x AAA Batterien geliefert. Die Plastikfolie von den Batterien entfernen, anschließend die Batterieabdeckung auf der Unterseite der Fernbedienung abnehmen und die Batterien einsetzen. Die Batterieabdeckung schließen.

Aufgrund der Bluetooth-Funktechnik muss die Fernbedienung mit dem Bluetooth-Empfänger gekoppelt werden. Dies wird durch Drücken der  Taste am Bedienelement „A“ erledigt; die LEDs beginnen zu blinken. Das Gerät zeigt so an, dass die Kopplung mit der Fernbedienung vorgenommen werden kann. Die Taste  auf der Fernbedienung drücken. Das Gerät wird ausgeschaltet. Die Fernbedienung ist jetzt mit dem Gerät verbunden.

Die Bedienung der Fernbedienung erfolgt wie im Kapitel „Empfängersteuerung“ beschrieben. Es besteht die Möglichkeit, mehrere Geräte mit nur einer Fernbedienung zu verbinden, indem die Koppelung wie oben beschrieben bei den Folgegeräten durchgeführt wird.

Die Bedienung der Fernbedienung erfolgt wie im Kapitel „Bluetooth-Empfängersteuerung“ beschrieben.

Wartung

ALLGEMEINE HINWEISE

In diesem Gerät darf nur gefiltertes Leitungswasser verwendet werden.

Immer darauf achten, dass das Gerät auf ebenem Untergrund steht.

Falls das Gerät länger als 2 Wochen nicht benutzt wird, muss das Wasser aus dem Sumpf und Wasserbehälter abgelassen werden. Nach der Installation darf dieses Gerät nicht transportiert oder auf die Rückseite gelegt werden, ohne zuvor das Wasser aus dem Sumpf und Wasserbehälter abzulassen.

REINIGUNG

Warnung – Schalter „A“ immer auf „OFF“ (0) stellen (Abb. 10) und vor dem Reinigen des Kamins das Gerät vom Stromnetz trennen.

Bei folgenden Teilen empfehlen wir eine regelmäßige Reinigung alle 2 Wochen, insbesondere in Regionen mit hartem Wasser: Wasserbehälter, Sumpf, Düse, Tankdeckel und -dichtung, Luftfilter.

Zum Reinigen allgemein immer ein weiches, sauberes Staubtuch benutzen, auf keinen Fall Scheuermittel verwenden.

Um angesammelten Staub oder Flusen zu entfernen, kann gelegentlich ein Staubsauger mit weichem Bürstenaufsatz zum Reinigen des Auslassgitters des Lüftergebläses verwendet werden.

Wasserbehälter

1. Den Tank - wie zuvor erläutert - ausbauen, in ein Waschbecken legen und das Wasser ablassen.
2. Mit der beigegefügt Bürste die Innenflächen des Deckels sanft abbürsten. Dabei besonders den Gummiring in der Außennut und die Gummidichtung in der Mitte sauber bürsten.
3. Eine sparsame Menge Spülmittel in den Wasserbehälter füllen, den Deckel festschrauben und gut schütteln. Das Spülmittel komplett wieder ausspülen, bis davon keine Spuren im Abwasser mehr zu sehen sind.
4. Ausschließlich mit gefiltertem Leitungswasser auffüllen, den Deckel wieder anbringen und nicht überdrehen.

Sumpf

1. Schalter „A“ auf die „OFF“ (0) stellen
2. Feuerbett vorsichtig herausheben und auf den Boden legen.
3. Den Wassertank nach oben herausheben.
4. Den Stecker aus der Anschlussbuchse auf der linken Seite des Sumpfs ziehen. (Abb. 5).
5. Die Sicherungskralen am rechten Sumpfs um 90° drehen. Der Sumpf kann nun komplett aus der Einbaulage herausgehoben werden. (Abb. 11)
6. Den Sumpf vorsichtig und möglichst waagrecht herausheben, damit kein Wasser verschüttet wird. Das gesamte Bauteil in ein Waschbecken stellen.
7. Die beiden Sicherungskralen am linken Sumpf um 90° drehen und die Düse abnehmen. (Abb. 3)
8. Den Wandler herausheben und vorsichtig seitlich kippen, damit die Flüssigkeit aus dem Sumpf ablaufen kann. (Abb. 13)
9. Etwas Spülmittel in den Sumpf füllen und mit der beigegefügt Bürste sämtliche Flächen im Sumpf und den Wandler sanft reinigen, auch die Metallscheiben, die in der Nut auf der Oberseite verlegt ist. (Abb. 14)
10. Nach dem Reinigen den Sumpf mit klarem Wasser gründlich ausspülen, um alle Spülmittelrückstände zu beseitigen.
11. Die Düse ebenso mit der weichen Bürste reinigen und gründlich mit Wasser ausspülen. (Abb. 15)
12. Beim Zusammenbau die obigen Schritte in umgekehrter Reihenfolge befolgen.

Wandler

Der Wandler ist ein Verschleißteil und muss eventuell irgendwann ersetzt werden, ja nach Nutzung des Geräts. Ersatzteile solcher Art können von der Webseite <http://spares.dimplex.co.uk> bezogen werden. Der Wandler wird mithilfe einer Arretierung aus Kunststoff im Sumpf befestigt. Wenn der Wandler ausgetauscht werden sollte

1. Die Schritte 1-5 im Abschnitt „Sumpf REINIGEN“ im Kapitel „Wartung“ befolgen, um Zugang zum Wandler zu erhalten.
2. Die Arretierung nach hinten schieben und den Wandler gerade aus der Halterung ziehen.
3. Den Kegel im Uhrzeigersinn drehen und entfernen und am neuen Wandler anbringen. Den Kegel gegen den Uhrzeigersinn drehen, um ihn zu fixieren.
4. Für das Wiedereinsetzen die Schritte 1-5 in umgekehrter Reihenfolge ausführen.

Luftfilter

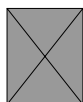
1. Feuerbett vorsichtig herausheben und auf den Boden legen.
2. Den Luftfilter vorsichtig nach oben aus seiner Kunststoffhalterung herausziehen. (Abb. 16)
3. Vorsichtig mit Wasser im Waschbecken ausspülen und vor dem Einsetzen mit einem Handtuch abtrocknen.
4. Den Filter wieder einsetzen, dabei darauf achten, dass der grobe schwarze Filter in Richtung Vorderseite des Kamineinsatzes zeigt.
5. Das Feuerbett wieder einsetzen.

Zusatzinformationen

KUNDENDIENST

Für dieses Produkt gilt eine Garantie von einem Jahr ab Kaufdatum. Innerhalb dieses Zeitraums verpflichten wir uns, Reparaturen oder einen Gerätetausch kostenlos durchzuführen (ausgenommen Wandlerscheiben und abhängig von der Verfügbarkeit), sofern gewährleistet ist, dass die vorliegenden Anweisungen bei der Installation und Bedienung eingehalten wurden. Ihre Rechte gemäß dieser Gewährleistung gelten zusätzlich zu Ihren gesetzlichen Rechten, die von dieser Gewährleistung unberührt bleiben.

RECYCLING



Für elektrische Geräte, die in der EG verkauft werden - Diese Geräte dürfen am Ende ihrer Nutzungsdauer nicht im regulären Haushaltsmüll entsorgt werden. Sie müssen einer entsprechenden Recycling-Sammelstelle zugeführt werden. Entsprechende Hinweise zu Annahmestellen erhalten Sie bei der zuständigen lokalen Behörde oder Ihrem Fachhändler.

PATENT/PATENTANMELDUNG

Produkte im Optimyst-Sortiment sind durch eines bzw. mehrere der nachfolgend aufgeführten Patente urheberrechtlich geschützt:

Großbritannien GB2460259B, GB2475794B, GB2418014, EP2029941, GB2436212, GB2402206B

Vereinigte Staaten US8413358, US8136276, US7967690, US8574086

Russland RU2434181

Europa EP2029941, EP2315976, EP1787063 (A1), EP2388527, EP2029941,

China CN101883953A, CN102105746A, CN101057105 (A), CN101438104

Australien AU2009248743A1, AU2007224634

Kanada CA2725214, CA2579444, CA2645939

Südafrika ZA2008/08702

Mexiko MX2008011712

Südkorea KR101364191

Japan JP5281417, JP5496291

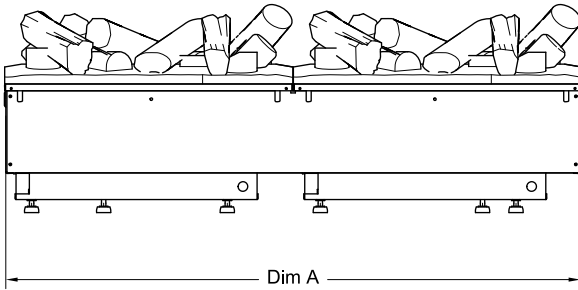
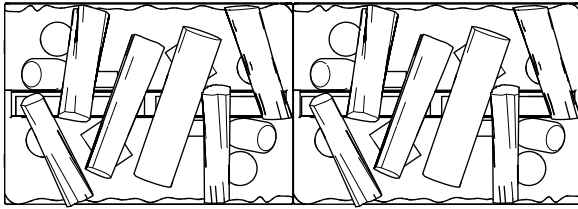
Brasilien BRP10708894

Indien 4122/KOLNP/2008

Neuseeland NZ571900

Fehlerbehebung

Symptom	Ursache	Abhilfe
Der Flammeneffekt lässt sich nicht einschalten.	<p>Netzstecker ist nicht angeschlossen.</p> <p>Wenig Wasser.</p> <p>Der Niederspannungsstecker ist nicht richtig angeschlossen. (Siehe Abb. 10)</p>	<p>Prüfen Sie, ob der Netzstecker richtig an die Steckdose angeschlossen ist.</p> <p>Prüfen, ob der Wasserbehälter gefüllt ist, und ob sich Wasser im Sumpf befindet.</p> <p>Prüfen Sie, ob der Stecker korrekt angeschlossen ist. (Siehe Abb. 10)</p>
Der Flammeneffekt arbeitet zu niedrig.	<p>Der Drehregler für den Flammeneffekt ist zu niedrig eingestellt.</p> <p>Die Wandlerscheibe ist unter Umständen verschmutzt.</p> <p>Die Leitung von der Wandlereinheit liegt über der Scheibe.</p>	<p>Flammeneffekt durch Drücken der Taste <input checked="" type="checkbox"/> auf der Fernbedienung oder am Empfänger verstärken.</p> <p>Die Scheibe mit einer weichen Bürste reinigen. Die schrittweise gegliederten Anweisungen befinden sich im Abschnitt „Wartung“.</p> <p>Die Leitung zur Rückseite des Sumpfs führen und darauf achten, dass sie im seitlichen Schlitz aus dem Sumpf austritt.</p>
Unangenehmer Geruch während des Betriebs.	<p>Verschmutztes oder abgestandenes Wasser.</p> <p>Es wird ungefiltertes Leitungswasser benutzt.</p>	<p>Das Gerät wie im Wartungsabschnitt erläutert reinigen.</p> <p>Nur gefiltertes Leitungswasser benutzen.</p>
Der Flammeneffekt stößt zu viel Rauch aus.	<p>Der Flammeneffekt ist zu stark eingestellt.</p>	<p>Flammeneffekt verringern. Warten Sie etwas, bis der Flammengenerator auf die neue Einstellung reagieren kann.</p>



MODEL	DIM 'A'
CAS500	508mm
CAS1000	1017mm

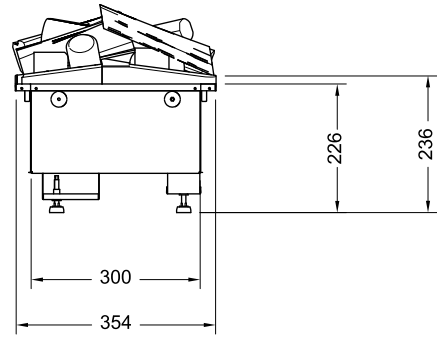


Fig.1

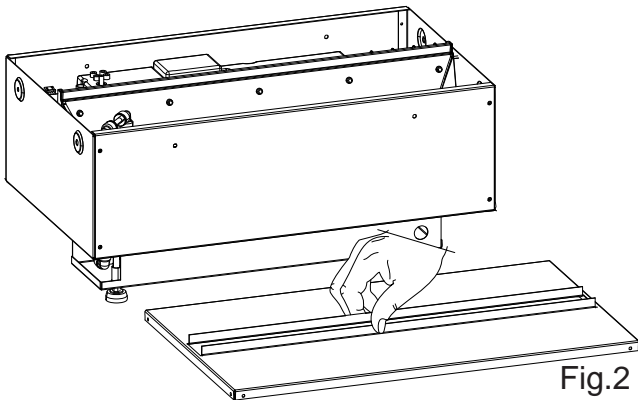


Fig.2

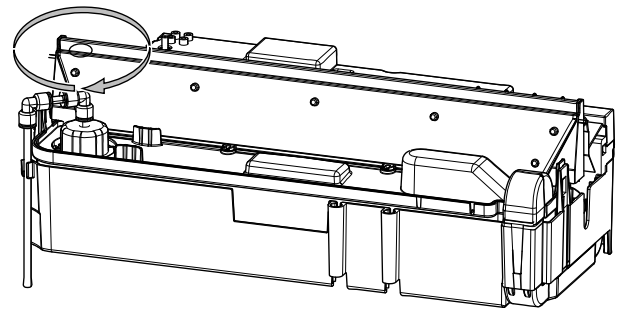


Fig.3a

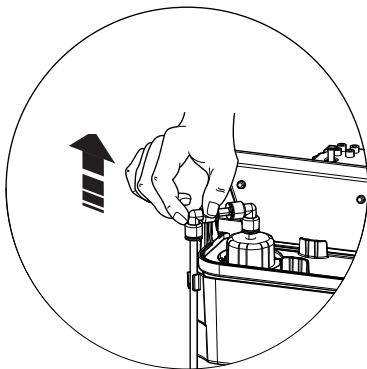


Fig.3b

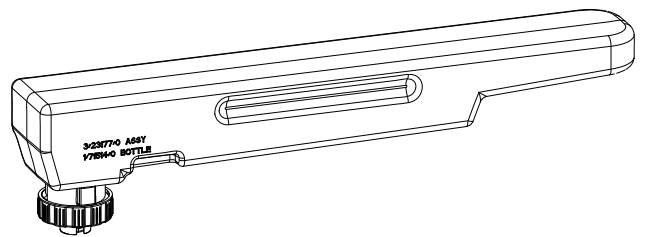


Fig.3c

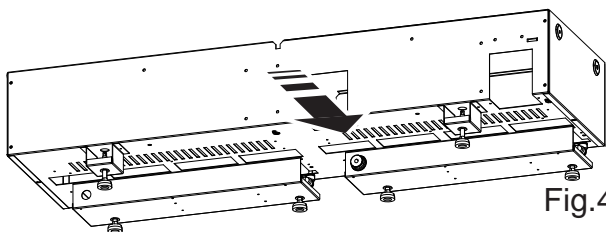


Fig.4

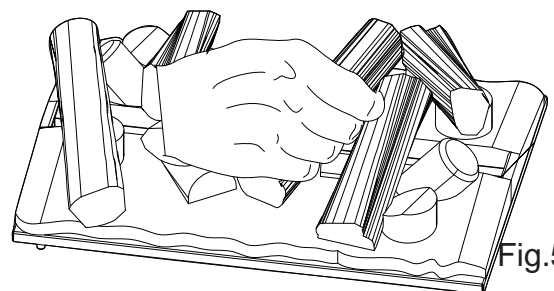


Fig.5

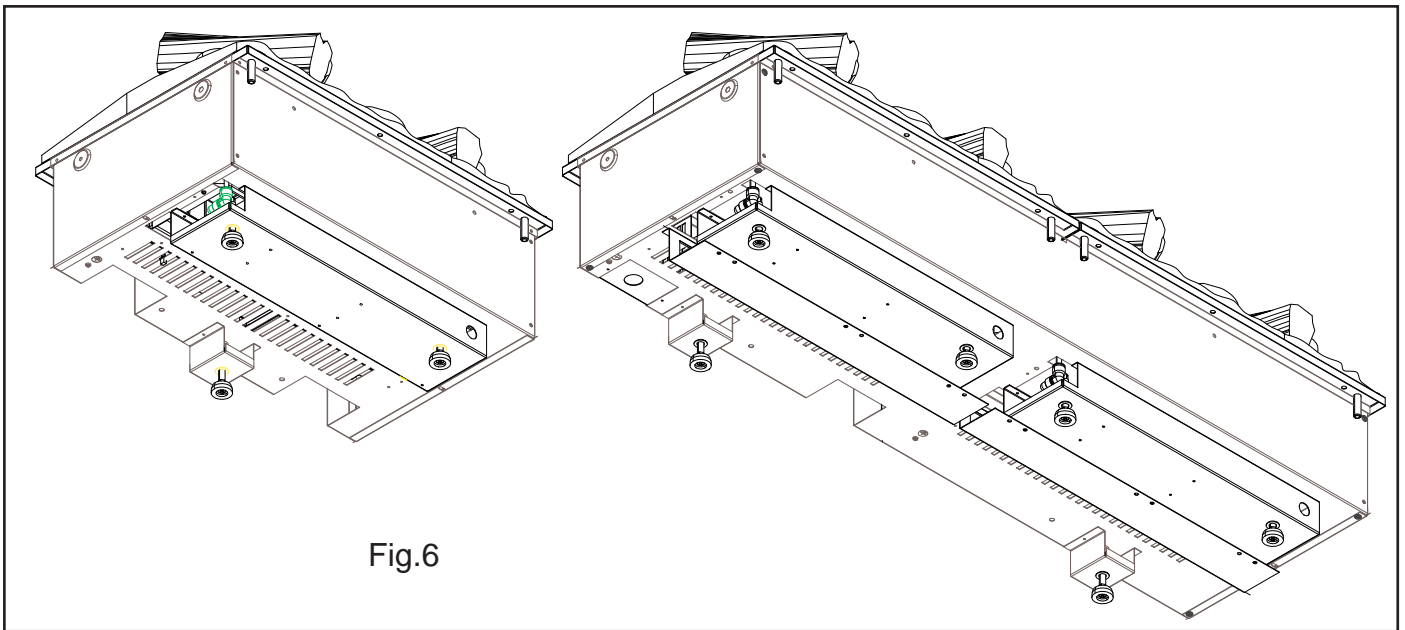


Fig.6

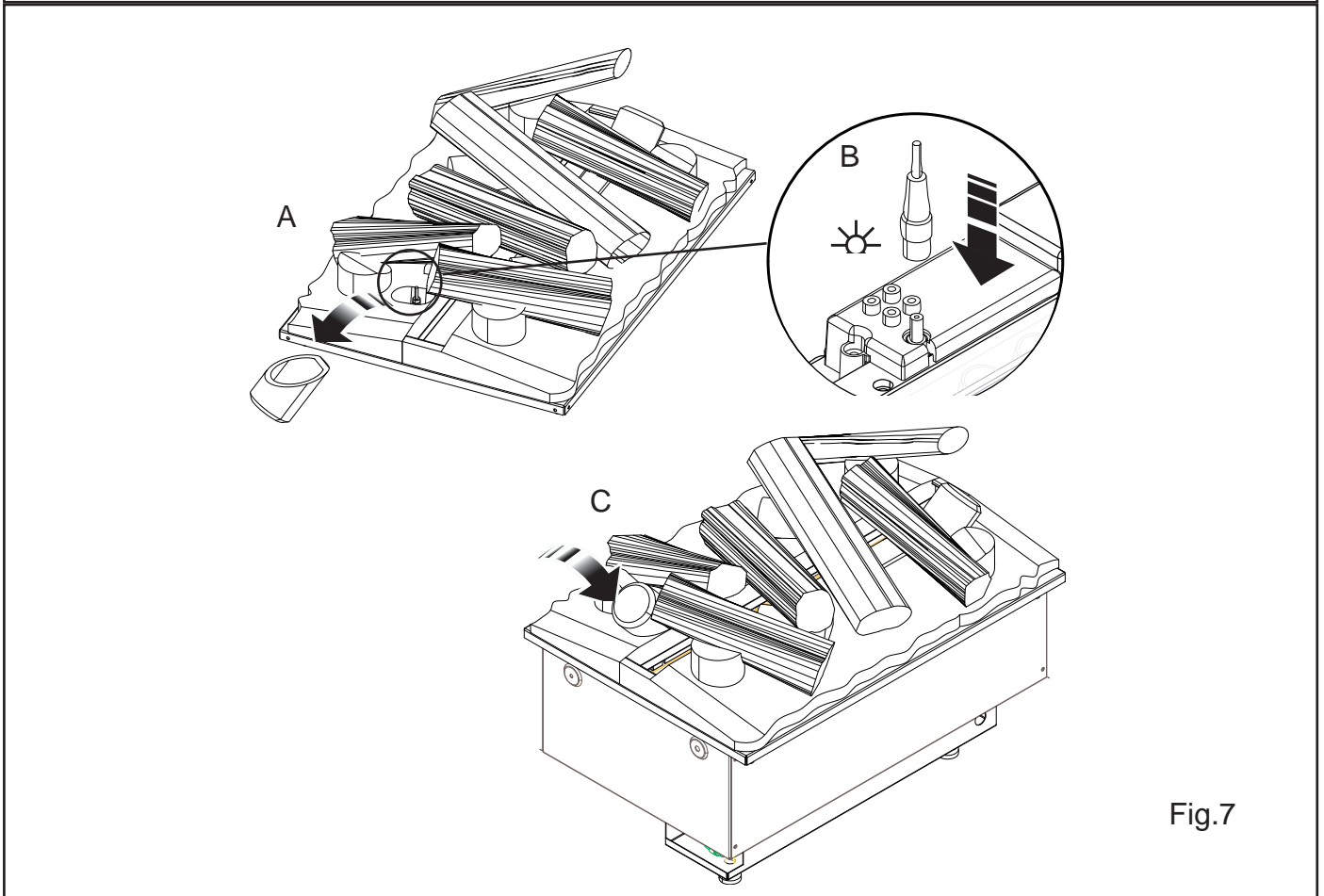


Fig.7

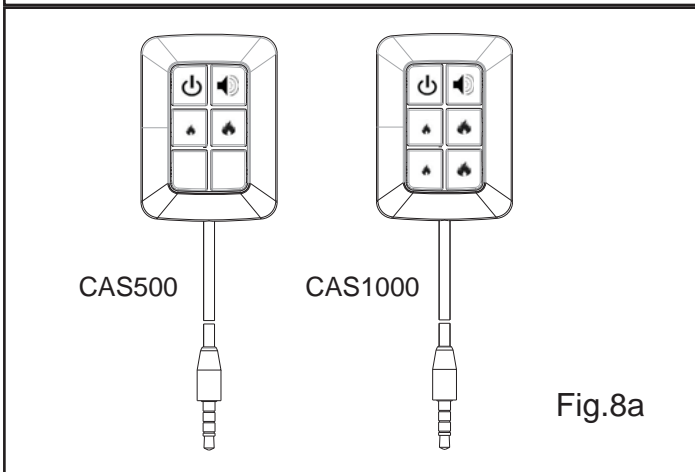


Fig.8a

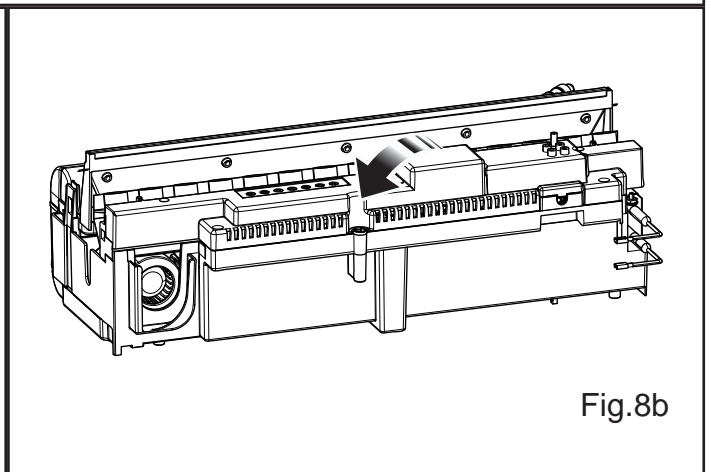
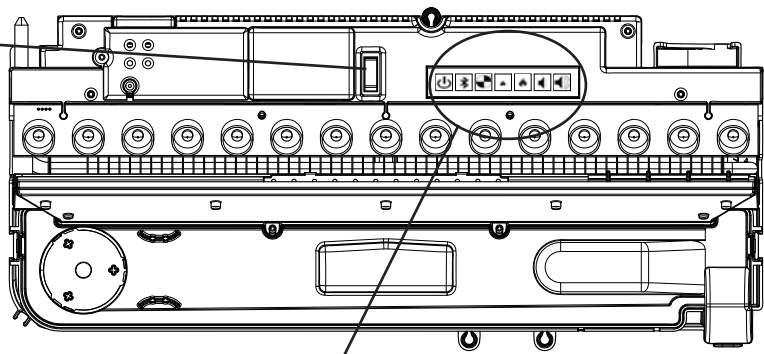
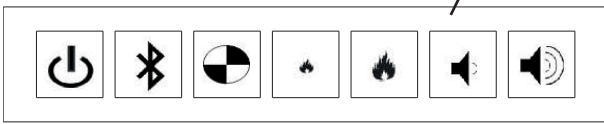


Fig.8b

Switch 'A'



CAS500



CAS1000

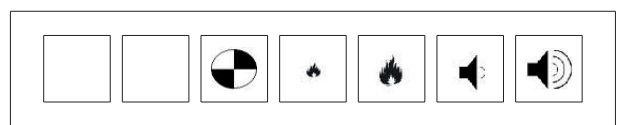
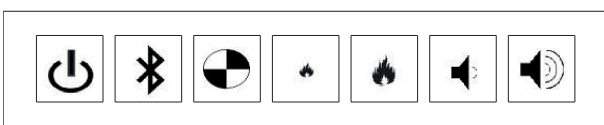


Fig.9

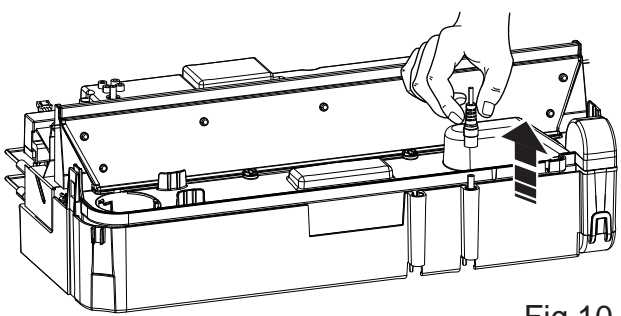


Fig.10

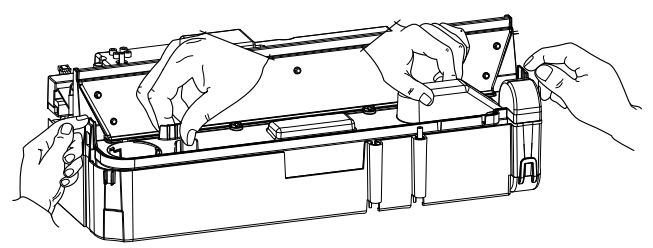


Fig.11

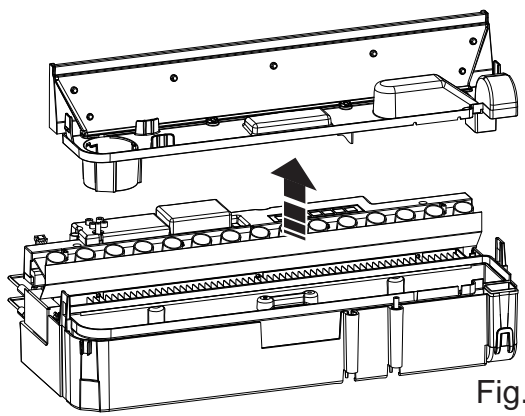


Fig.12

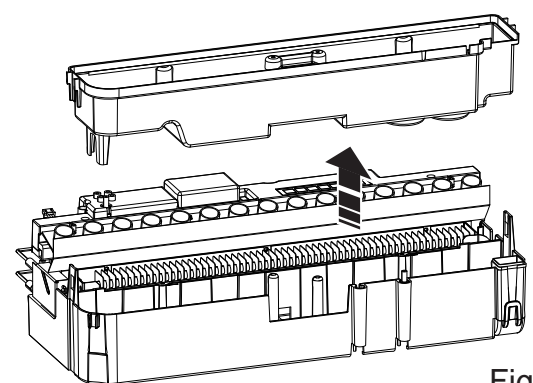


Fig.13

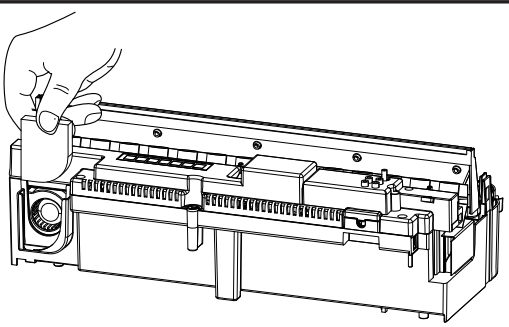
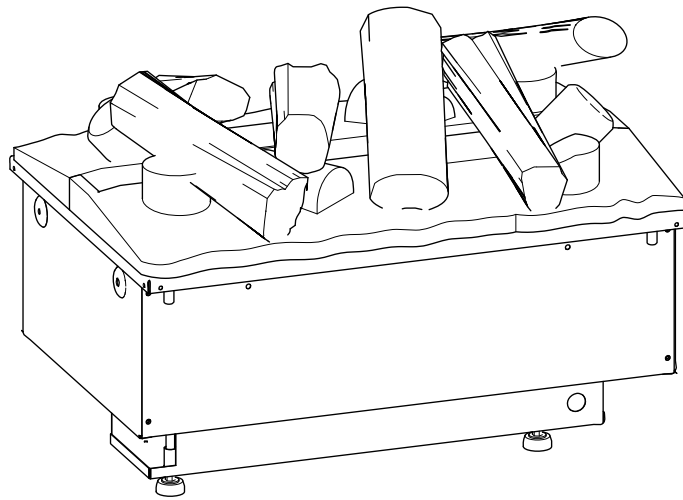
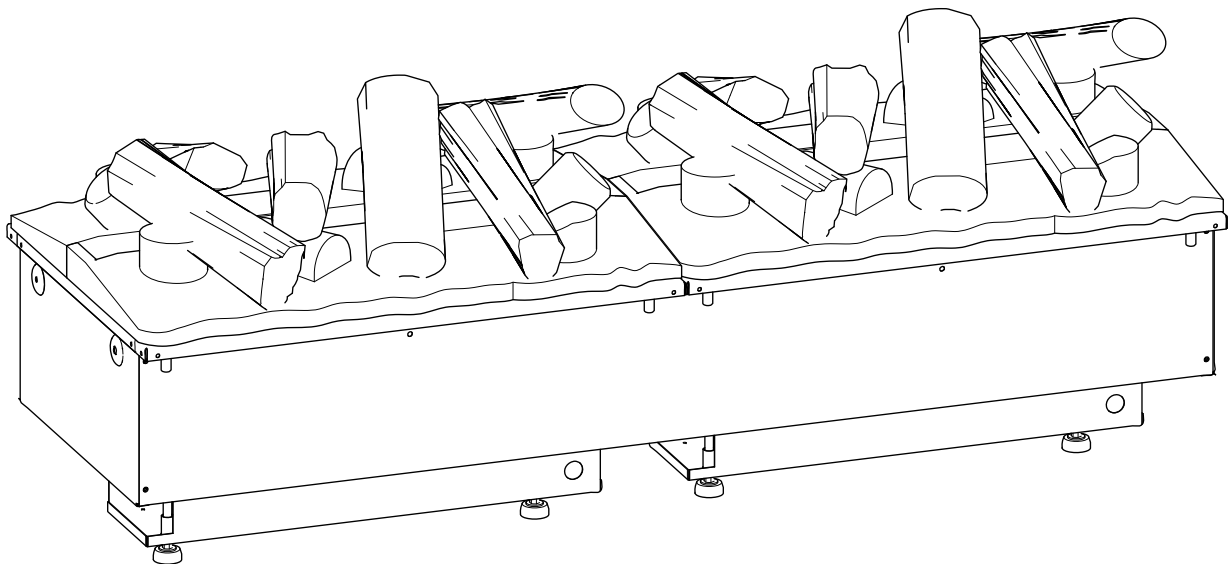


Fig.14

Dimplex



CAS500



CAS1000

Dimplex CAS500, CAS1000

Inleiding

Lees deze informatie aandachtig om uw product veilig te installeren, gebruiken en onderhouden.

Belangrijke veiligheidsvoorschriften

Bij gebruik van elektrische apparaten moeten altijd bepaalde voorzorgsmaatregelen in acht worden genomen om het risico van brand, elektrische schok en letsel te verminderen. Dit betekent o.a.:

Raadpleeg de leverancier als de kachel is beschadigd voordat u deze installeert en gebruikt.

Gebruik de kachel niet buiten.

Niet gebruiken in de onmiddellijke nabijheid van een bad, douche of zwembad.

Plaats het apparaat nooit onmiddellijk onder een vaste wandcontactdoos of verdeelkast.

Dit apparaat kan alleen worden gebruikt door kinderen vanaf 8 jaar en personen met lichamelijke, zintuiglijke of geestelijke beperkingen of die er geen ervaring mee en kennis van hebben indien zij toezicht of aanwijzingen hebben gekregen om het apparaat op veilige wijze te gebruiken en ook begrijpen welke gevaren er kunnen ontstaan. Kinderen mogen niet met het apparaat spelen. Kinderen mogen niet zonder toezicht reiniging en onderhoud uitvoeren.

Kinderen jonger dan 3 jaar moeten uit de buurt van het toestel worden gehouden, tenzij er voortdurend toezicht wordt gehouden.

Kinderen tussen de 3 en 8 jaar mogen het apparaat alleen aan- en uitzetten als het op de bedoelde normale plek geplaatst of gemonteerd is en zij toezicht of aanwijzingen hebben gekregen om het apparaat op veilige wijze te gebruiken en ook begrijpen welke gevaren er kunnen ontstaan. Kinderen tussen de 3 en 8 jaar mogen het apparaat niet aansluiten, bedienen en reinigen of onderhoud uitvoeren.

LET OP: Sommige onderdelen van dit product kunnen zeer heet worden en brandwonden veroorzaken. Let vooral goed op als er kinderen of andere kwetsbare mensen in de buurt zijn.

Gebruik dit apparaat niet in serie met een thermisch regelapparaat, een programma-regelapparaat, een tijd klok of enig ander apparaat dat de kachel automatisch inschakelt, omdat er brandgevaar ontstaat als de kachel per ongeluk is afgedekt of op de verkeerde plaats is gezet.

Zorg dat meubilair, gordijnen of ander brandbaar materiaal zich minstens 1 meter uit de buurt van het apparaat bevinden.

In geval van een storing haalt u de stekker van het apparaat uit het stopcontact.

Haal de stekker uit het stopcontact als het apparaat gedurende lange tijd niet gebruikt zal worden. Hoewel dit apparaat voldoet aan de veiligheidsnormen, is het niet raadzaam om het op hoogpolige vloerbedekking of op een langharig kleed te gebruiken.

De kachel moet zodanig worden geïnstalleerd dat de stekker bereikbaar blijft.

Als het netsnoer is beschadigd, dan moet dit door de fabrikant of een onderhoudsmonteur of een dergelijk bevoegd persoon worden vervangen om risico's te vermijden.

Houd het voedingssnoer uit de buurt van de voorkant van de kachel.

WAARSCHUWING: Dek het apparaat nooit af om oververhitting te voorkomen. Plaats geen voorwerpen of kledingstukken op het apparaat en zorg ervoor dat de luchtcirculatie rond het apparaat niet wordt geblokkeerd.

Op het apparaat is een waarschuwingssymbool NIET AFDEKKEN aangebracht. 

Dit apparaat is niet uitgerust met een toestel voor het regelen van de kamertemperatuur. Gebruik dit apparaat niet in kleine ruimten waar personen aanwezig zijn die niet op eigen kracht de ruimte kunnen verlaten, tenzij er constant toezicht wordt gehouden

Algemene informatie

Gebruik uitsluitend gefilterd leidingwater.

Pak het apparaat voorzichtig uit en bewaar de verpakking voor eventueel toekomstig gebruik voor geval u gaat verhuizen of het apparaat naar de leverancier wilt terugsturen.

Zorg er altijd voor dat de kachel op een egale vloer staat.

Het apparaat is uitsluitend een vlameffect.

Het apparaat is ontworpen om te worden ingebouwd in een omkapping of een muur.

Controleer, voordat u het apparaat aansluit, of de voedingsspanning hetzelfde is als op het apparaat is aangegeven.

Opmerking: als u de kachel in een omgeving gebruikt met weinig achtergrondgeluid, dan kunt u een geluid horen wanneer de kachel met het vlameffect wordt aangezet. Dit is normaal, dus u hoeft zich daar geen zorgen over te maken.

Na het installeren mag de kachel niet worden verplaatst of op zijn rug worden gelegd zonder eerst het water in de opvangbak en waterreservoir af te tappen.

Het waterreservoir, de opvangbak, de kap van de opvangbak, de tankdop en de luchtfilters moeten één keer in de twee weken worden gereinigd, in het bijzonder in gebieden met hard water.

Als u van plan bent om de kachel meer dan twee weken niet te gebruiken, tap dan het water van de opvangbak en het waterreservoir af en droog de opvangbak.

De opvangbak en het waterreservoir van dit product zijn behandeld met een biocide, zilverbiocide. Dit is conform de laatste hiervoor geldende ISO-norm.

Drink niet van het water van de opvangbak of het (de) waterreservoir(s)

Dit apparaat is ontworpen voor een permanente aansluiting op de waterleiding, en niet voor een verbinding met een slangenset

Installatie-instructies

Dit gedeelte beschrijft hoe u uw kachel moet opstellen.

ALVORENS U START

1. Controleer of alle verpakking is verwijderd (lees alle waarschuwingen aandachtig), en bewaar alle verpakking voor eventueel toekomstig gebruik.
2. Controleer, voordat u het apparaat aansluit, of de voedingsspanning hetzelfde is als op het apparaat is aangegeven.
3. Zorg ervoor dat de kachel op een egale vloer staat
4. Til de metalen bovenplaat eraf voor toegang tot het apparaat. Bewaar de bovenplaat met de verpakking voor eventueel toekomstig gebruik. (Afb.2)

Installatiegids

Dit product kan worden ingebouwd in een muur, een omkapping of een structuur. Houd rekening met de productafmetingen in Afb.1 en bouw uw muur, omkapping of structuur in overeenstemming hiermee. U moet een tussenruimte van minimaal 400 mm vrij laten vanaf de basis van het brandstofbed ten opzichte van legplanken/behuizingen boven het product. Zo wordt voldoende ruimte voorzien boven het product, zodat de vlammen zich volledig kunnen vormen en niet belemmerd worden.

Dit product heeft vrije ventilatie nodig aan de onderkant voor een correcte werking. De vrije ventilatie helpt de elektronische onderdelen koel houden, zorgt ervoor dat de mist wegtrekt uit de opvangbak en dat het product probleemloos wordt verwijderd.

VOOR DE CAS500 IS EEN RUIMTE VOOR VRIJE VENTILATIE VAN MINIMAAL 210 CM² VEREIST.

VOOR DE CAS1000 IS EEN RUIMTE VOOR VRIJE VENTILATIE VAN MINIMAAL 420 CM² VEREIST.

Ontwerp omkapping

De CAS500 en de CAS1000 zijn ontworpen om te worden ingebouwd in een omkapping/muur. Met de afmetingen aangegeven in Afb1. kunt u een holte ontwerpen voor het apparaat. Laat voldoende ruimte vrij onder en boven het apparaat voor de wateraansluiting en de elektrische aansluiting. Zodra de omkapping/muur is klaargemaakt kunt u het apparaat aanbrengen op zijn plaats. Bevestig het LED houtblok-brandstofbed zo dat het apparaat gecentreerd is, zie hoofdstuk 'LED houtblok-brandstofbed monteren'. Wanneer u het apparaat hebt aangebracht op een positie, tilt u het brandstofbed eraf, en schroeft u de gepaste schroeven voor de omkapping/muur door de gevormde gaten in de linker en rechter zijpanelen waarmee het apparaat is vastgezet op zijn plaats.

Waterleiding

Het apparaat kan worden gebruikt met behulp van het (de) bijgeleverde waterreservoir(s) of door aansluiting op de waterleiding.

Waterreservoir(s): U moet de 'vuldop' verwijderen van de opvangbak. (Afb.3a en Afb.3b). Plaats het (de) waterreservoir(s) (Afb.3C) in uw gootsteen en verwijder de dop (in tegenwijzerzin draaien). Vul het waterreservoir **alleen met gefilterd leidingwater**. Dit is nodig om de levensduur van het vlam- en rookmechanisme te verlengen. Het water dient te worden gefilterd via een conventionele leidingwaterfilter en het filter moet regelmatig worden vervangen. Gedistilleerd water mag **niet** worden gebruikt.

Leidingwater: Als u ervoor kiest leidingwater toe te voeren naar het apparaat, moet u de fles(sen) met de metalen bovenplaat en de verpakking bewaren. U kunt de (bijgeleverde) doorboorklep gebruiken voor de aansluiting op de waterleiding door:

1. Klem de doorboorklep vast op uw waterpijp: pijp van maximaal 1/2" (12,7 mm)
2. Sluit een PVC-buis van 1/4" (6,35 mm) (niet bijgeleverd) aan van de doorboorklep naar het bijgeleverde waterfilter, en vervolgens naar het product (Afb.4).
3. Draai de kraan op de klep in wijzerzin om de waterpijp te doorboren. Draai de kraan in tegenwijzerzin om het water door de klep te laten stromen. U kunt het water naar het product afsluiten door de kraan op de klep in wijzerzin te draaien tot de stroming stopt.
4. Schakel de interne kogelklep in. Deze bevindt zich onder de opvangbak. Verwijder de opvangbak zoals beschreven is onder 'Schoonmaken' in het hoofdstuk Onderhoud

Opmerking: de waterdruk moet tussen 8 bar (800 kilopascal) en 0,5 bar (50 kilopascal) zijn.

Als u niet zeker bent hoe u deze aansluiting tot stand moet brengen, raadpleeg dan een gekwalificeerde loodgieter, om een veilige en betrouwbare installatie te verzekeren.

Elektrische aansluiting

Steek de stekker van de haard in een stopcontact van 13 ampère/240 Volt. Zorg ervoor dat u na de installatie toegang hebt tot de stekker, om deze te kunnen loskoppelen. Zorg dat de stroomkabel er aan de achterkant van de haard uit komt, in de rechter- of linkerhoek in de buurt van het stopcontact en niet vast komt te zitten onder de haard zodat de kabel kan worden beschadigd. Zorg ervoor dat u niet meer dan 5 apparaten aansluit op hetzelfde stopcontact. Als er meer apparaten vereist zijn moeten deze worden aangesloten in een apart circuit.

Het apparaat kan worden aangesloten op de vaste bedrading van het gebouw via een gepaste aansluitkast die in de buurt van het apparaat wordt geplaatst. Deze elektrische installatie moet worden uitgevoerd door een bevoegd elektricien en in strikte overeenstemming met de huidige IEE-voorschriften voor elektrische apparatuur in gebouwen.

De elektriciens kan de bijgeleverde stekker op de volgende wijze verwijderen:

1. Til het brandstofbed eraf en zet schakelaar 'A' in de uit-stand (Afb. 9).
2. Controleer of het apparaat is losgekoppeld.
3. Til het toegangsdeksel eraf door de bevestigingsschroef te verwijderen (Afb. 15).
4. Schroef de draden onder spanning, de neutrale draden en de aardingsdraden los en verwijder ze.
5. Schroef de kabelklem (Afb. 16 'A') los en verwijder de voedingskabel.

De elektriciens kan vervolgens de draad van het apparaat aanluiten (door de bovenvermelde stappen omgekeerd uit te voeren) op de aansluitkast, en moet er hierbij voor zorgen dat deze een tweepolige isolatieschakelaar bevat met een contactscheiding van minstens 3 mm. Bruin - onder spanning (L), blauw - neutraal (N) en groen/geel - aarding (E).

Het LED houtblok-brandstofbed monteren

Dit product is uitgerust met een 'metalen brandstofbed'. Alvorens het LED houtblok-brandstofbed te monteren moet u dit metalen brandstofbed eraf tillen en opzij leggen (Afb. 2). U kunt het bewaren voor toekomstig gebruik. Til het LED houtblok-brandstofbed voorzichtig uit zijn verpakking.

LET OP: Zorg ervoor dat u het brandstofbed alleen optilt aan de twee middelste houtblokken (Afb. 5). Deze houtblokken zijn de sterkste. Plaats het brandstofbed bovenop het apparaat, er zijn 4 plastic geleiders onder het brandstofbed om hulp te bieden bij het plaatsen ervan (Afb.6). Het brandstofbed kan van voren naar achteren of van achteren naar voren worden aangebracht, de richting wordt bepaald op basis van de voorkeur van de klant. Zodra het zich op zijn plaats bevindt tilt u het kleine losse houtblok eraf. Dit blok wordt op zijn plaats gehouden door magneten. Onder dit blok is er een DC-draadstekker en een gat door het brandstofbed. Sluit deze aan op de overeenkomstige DC-draadstekker op het product, via de gaten in het brandstofbed (Afb.7). Het brandstofbed is nu gemonteerd en klaar om te worden ingeschakeld.

In de verpakking van het brandstofbed is ook een losse niet-LED houtblok voorzien. Voor de CAS500 kan edze bovenop het brandstofbed worden geplaatst of bewaard worden met de verpakking. Voor de CAS1000 kan het losse houtblok op de middenverbinding tussen de twee brandstofbedden worden geplaatst.

De ontvanger aansluiten

Neem uw ontvanger, 4 knoppen voor de CAS500 en 6 knoppen voor de CAS1000, en steek als het brandstofbed is verwijderd de stekker van 3,5 mm in de aansluiting op de achterzijde van het apparaat (Afb. 8). De ontvanger heeft een kabellengte van 1,4 m, zodat u hem overal rond het product kunt plaatsen. Als u de ontvanger wilt verbergen, kunt u deze in de omkapping/muur plaatsen. Zorg ervoor dat de ontvanger niet is ingesloten in metaal, beton of een ander dicht materiaal, omdat dit het signaal van de afstandsbediening negatief beïnvloedt.

Bediening van het product

In dit gedeelte wordt beschreven hoe u uw kachel met de bedieningsknoppen of afstandsbediening kunt bedienen.

HANDBEDIENING

De handbediening bevindt zich onder het brandstofbed. Zie Afb. 5

CAS500

Voedingsschakelaar 'A': - regelt de stroomtoevoer naar het apparaat.

Opmerking: Deze schakelaar moet in de stand 'ON' (I) staan om het apparaat te kunnen gebruiken

Knoppenpaneel 'A': - regelt de werking van het apparaat

- is de knop aan/stand-by. Druk erop om het vlameffect in en uit te schakelen. Als ze wordt ingeschakeld wordt dit aangegeven door de activering van de hoofdlampen. Hoewel de hoofdlampen direct werken, duurt het nog 45 seconden voordat het vlameffect start.
- is de BlueTooth-knop. Zo wordt uw afstandsbediening gekoppeld met de ontvanger. Zie 'Afstandsbediening gebruiken' voor meer informatie
- is de knop testmodus. Deze wordt gebruikt door de fabrikant en de servicemonteur
- is de knop vlam verkleinen. Druk hierop om de hoogte/sterkte van de vlam te verkleinen. U hoort een piepton wanneer u het minimale niveau bereikt
- is de knop vlam vergroten. Druk hierop om de hoogte/sterkte van uw vlam te vergroten. U hoort een piepton wanneer u het maximale niveau bereikt

- is het krakende geluid van vuur verlagen. Druk hierop om het volume van het krakende geluid te verlagen. Het minimale volume hiervoor is uit
- is het krakende geluid van vuur verhogen. Druk hierop om het volume van het krakende geluid te verhogen.

CAS1000

Voedingsschakelaar 'A': - regelt de stroomtoevoer naar het apparaat.

Opmerking: Deze schakelaar moet in de stand 'ON' (I) staan om het apparaat te kunnen gebruiken

Knoppenpaneel 'A': - regelt de werking van de linkerzijde van het apparaat

- is de knop aan/stand-by. Druk erop om het vlameffect in en uit te schakelen. De inschakeling ervan wordt aangegeven door de activering van de lamp. Hoewel de hoofdlampen direct werken, duurt het nog 45 seconden voordat het vlameffect start.
- is de BlueTooth-knop. Zo wordt uw afstandsbediening gekoppeld met de ontvanger. Zie 'Afstandsbediening gebruiken' voor meer informatie
- is de knop testmodus. Deze wordt gebruikt door de fabrikant en de servicemonteur
- is de knop vlam verkleinen. Druk hierop om de hoogte/sterkte van de vlam te verkleinen. U hoort een pieptoon wanneer u het minimale niveau bereikt
- is de knop vlam vergroten. Druk hierop om de hoogte/sterkte van uw vlam te vergroten. U hoort een pieptoon wanneer u het maximale niveau bereikt
- is het krakende geluid van vuur verlagen. Druk hierop om het volume van het krakende geluid te verlagen. Het minimale volume hiervoor is uit
- is het krakende geluid van vuur verhogen. Druk hierop om het volume van het krakende geluid te verhogen.

Knoppenpaneel 'B': - regelt de werking van de linkerzijde van het apparaat

- is de knop testmodus. Deze wordt gebruikt door de fabrikant en de servicemonteur
- is de knop vlam verkleinen. Druk hierop om de hoogte/sterkte van de vlam te verkleinen. U hoort een pieptoon wanneer u het minimale niveau bereikt
- is de knop vlam vergroten. Druk hierop om de hoogte/sterkte van uw vlam te vergroten. U hoort een pieptoon wanneer u het maximale niveau bereikt
- is het krakende geluid van vuur verlagen. Druk hierop om het volume van het krakende geluid te verlagen. Het minimale volume hiervoor is uit
- is het krakende geluid van vuur verhogen. Druk hierop om het volume van het krakende geluid te verhogen.

HET GEWENSTE VLAMEFFECT KRIJGEN

1. Schakel het apparaat in door de hoofdschakelaar in de aan-stand te zetten en te drukken op de knop aan/stand-by. De vlammen beginnen na 45 seconden. De vlammen zijn gedurende 5seconden op maximale hoogte, en worden dan verlaagd tot een nominaal niveau
2. Druk op de knop en om de vlam in te stellen op het gewenste niveau. Geef het vlammechanisme tijd om te reageren op de wijzigingen die u aanbrengt.
3. Kantel of verplaats het apparaat niet terwijl er water in de tank of opvangbak is
4. Controleer of het apparaat op een egaal oppervlak staat

Zodra u de vlamhoogte en het krakende geluid hebt aangepast, bewaart het apparaat deze instellingen, zelfs als u het apparaat uitschakelt met de knop aan/stand-by of met de hoofdschakelaar. De volgende keer dat u het apparaat inschakelt wordt het zoals gewoonlijk opgestart. Wacht 45 seconden tot de vlammen beginnen, laat ze gedurende 5 seconden werken op maximale hoogte en keer dan terug naar de aangepaste instellingen.

BEDIENING BLUETOOTH-ONTVANGER




Op de BlueTooth-ontvanger is een handbediening voorzien

CAS500

- is de knop aan/stand-by. Druk erop om het vlameffect in en uit te schakelen.
- is het krakende geluid van vuur. Druk hierop om het krakende geluid in en uit te schakelen. Het volume wordt ingesteld op de handbediening van het apparaat
- is de knop vlam verkleinen. Druk hierop om de hoogte/sterkte van de vlam te verkleinen. U hoort een pieptoon wanneer u het minimale niveau bereikt
- is de knop vlam vergroten. Druk hierop om de hoogte/sterkte van uw vlam te vergroten. U hoort een pieptoon wanneer u het maximale niveau bereikt


CAS1000

- is de knop aan/stand-by. Druk erop om het vlameffect in en uit te schakelen.
- is het krakende geluid van vuur. Druk hierop om het krakende geluid in en uit te schakelen. Het volume wordt ingesteld op de handbediening van het apparaat
- is de knop vlam verkleinen voor de linkerzijde van het apparaat. Druk hierop om de hoogte/sterkte van de vlam te verkleinen. U hoort een pieptoon wanneer u het minimale niveau bereikt

-  is de knop vlam vergroten voor de linkerzijde van het apparaat. Druk hierop om de hoogte/sterkte van uw vlam te vergroten. U hoort een pieptoon wanneer u het maximale niveau bereikt
-  is de knop vlam verkleinen voor de rechterzijde van het apparaat. Druk hierop om de hoogte/sterkte van de vlam te verkleinen. U hoort een pieptoon wanneer u het minimale niveau bereikt
-  is de knop vlam vergroten voor de rechterzijde van het apparaat. Druk hierop om de hoogte/sterkte van uw vlam te vergroten. U hoort een pieptoon wanneer u het maximale niveau bereikt

AFSTANDBEDIENING BLUETOOTH

De afstandsbediening wordt geleverd met 2xAAA batterijen. Verwijder het batterijklepje van de onderkant van de afstandsbediening en breng de batterijen aan op hun plaats na ze te hebben verwijderd uit de plastic verpakking. Plaats het batterijklepje terug.

De afstandsbediening is voorzien van BlueTooth-technologie en moet worden gekoppeld aan de BlueTooth-ontvanger. Dit wordt gedaan door de drukken op de knop  op knoppenpaneel 'A'. De LED's beginnen aan en uit te knipperen. Dit is om u te laten weten dat het apparaat klaar is voor de aansluiting op de afstandsbediening. Druk op de knop  op de afstandsbediening. Het apparaat wordt uitgeschakeld. De afstandsbediening is nu gekoppeld aan het apparaat. De afstandsbediening wordt op dezelfde wijze bediend als beschreven is in 'Bediening ontvanger'. U kunt meerdere producten koppelen aan één afstandsbediening door de bovenvermelde koppelbewerking opnieuw uit te voeren op de volgende producten.

De afstandsbediening wordt op dezelfde wijze bediend als beschreven is in 'Bediening Bluetooth-ontvanger'.

Onderhoud

ALGEMENE TIPS

Gebruik uitsluitend gefilterd leidingwater.

Zorg er altijd voor dat de kachel op een egale vloer staat.

Als u van plan bent om de kachel meer dan twee weken niet te gebruiken, verwijder en leeg de opvangbak en het waterreservoir.

Na het installeren mag de kachel niet worden verplaatst of op zijn rug worden gelegd zonder eerst het water in de opvangbak en waterreservoir af te tappen.

SCHOONMAKEN

Waarschuwing – Zet schakelaar 'A' altijd op 'OFF' (0) (Afb. 10) en haal altijd de stekker uit het stopcontact voordat u de kachel reinigt.

We raden u aan om de volgende onderdelen 1 keer in de twee weken schoon te maken, vooral in gebieden met hard water:-

waterreservoir, opvangbak, mondstuk, reservoirdop en afsluiter, luchtfilter.

Gebruik voor algemene reiniging een zachte schone stofdoek – nooit schurende reinigingsmiddelen gebruiken.

Gebruik het borstelhulpstuk van de stofzuiger af en toe om stof of pluis uit het uitlaatrooster van de ventilator te verwijderen.

Watertank

1. Verwijder het waterreservoir zoals eerder beschreven, plaats dit in een gootsteen en tap het water af.

2. Gebruik de meegeleverde borstel om de binnenzijden van de dop zachtjes te borstelen en let vooral op de rubberen ring in de buitenste groef en de middelste rubberafdichting.

3. Vul het reservoir met een klein beetje afwasmiddel, plaats de dop terug, schud goed en spoel totdat alle sporen van het wasmiddel zijn verdwenen.

4. Vul uitsluitend met gefilterd leidingwater, plaats de dop terug en draai deze niet te vast.

Opvangbak

1. Zet schakelaar 'A' op de 'OFF' (0) stand

2. Verwijder het bradstofbed en zet dit even opzij.

3. Haal het waterreservoir eruit door dit omhoog te tillen.

4. Ontkoppel de elektrische aansluiting, die zich aan de rechterzijde van de opvangbak bevindt. (Afb.5).

5. Maak de rechter vergrendelpennen van de opvangbak los door deze 90° te draaien. Hierdoor kan de opvangbak volledig worden verwijderd. (Afb. 11)

6. Til de opvangbak voorzichtig op en zorg dat u deze recht houdt zodat er geen water wordt gemorst. Plaats de opvangbak in de gootsteen.

7. Maak de linker vergrendellipjes van de opvangbak los door deze 90° te draaien, en verwijder hierna het mondstuk. (Afb.3)

8. Kantel voorzichtig zoals afgebeeld, zodat de vloeistof uit de opvangbak wordt afgetapt. (Afb.13)

9. Vul de opvangbak met een kleine hoeveelheid afwasmiddel en gebruik de meegeleverde borstel om alle oppervlakken zachtjes te reinigen, inclusief de metalen schijf die zich in het bovenste groefvlak bevindt. (Afb.14)

10. Wanneer schoongemaakt, spoel de opvangbak met schoon water om alle sporen van afwasmiddel te verwijderen.

11. Reinig het mondstuk met de borstel en spoel met water. (Afb.15)

12. Voer de bovenstaande stappen in omgekeerde volgorde uit om te monteren.

Transducer

De transducer is een verbruiksartikel en moet mogelijk worden vervangen na verloop van tijd, afhankelijk van het gebruik. Vervangende transducers kunnen worden aangekocht via onze website <http://spares.dimplex.co.uk>. De transducer wordt in de opvangbak vastgezet met een plastic klem. Als u de transducer moet vervangen

1. Volg stappen 1-5 in het hoofdstuk Opvangbak SCHOONMAKEN onder 'Onderhoud' voor toegang tot de transducer
2. Duw de klem terug en til de transducer omhoog uit zijn houder.
3. Verwijder de kegel door hem in wijzerzin te draaien en plaats hem op uw nieuwe transducer. Draai de kegel in tegenwijzerzin tot hij strak is en op zijn plaats kan worden aangebracht
4. Voer stappen 5-1 omgekeerd uit voor montage

Luchtfilter

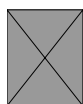
1. Verwijder het bradstofbed en zet dit even opzij.
2. Schuif het luchtfilter naar boven uit de plastic houder. (Afb. 16)
3. Spoel voorzichtig met water in de gootsteen en droog met een stoffen handdoek voordat u het filter terugplaatst.
4. Vervang het filter en zorg ervoor dat het zwarte filtergedeelte naar de voorkant van de kachel is gericht.
5. Vervang het brandstofbed.

Aanvullende informatie

DIENST NA VERKOOP

De garantie voor uw product is vanaf de aankoopdatum één jaar geldig. Binnen deze periode repareren of vervangen wij dit product zonder hiervoor kosten in rekening te brengen (met uitzondering van transducer schijven & afhankelijk van de beschikbaarheid), op voorwaarde dat de kachel overeenkomstig deze voorschriften werd geïnstalleerd en gebruikt. Uw rechten volgens deze garantie zijn een aanvulling op uw wettelijke rechten, die door deze garantie niet worden beïnvloed.

RECYCLAGE



Voor elektrische producten die verkocht worden in de Europese Gemeenschap - Aan het einde van het dienstbare leven van het elektrische product mag het niet weggegooid worden met het huishoudelijke afval. Maak gebruik van de bestaande recyclingfaciliteiten. Neem contact op met uw plaatselijke Overheidsinstanties of de leverancier hoe u in uw land producten kunt recyclen.

OCTROOIEN EN OCTROOIAANVRAGEN

Producten van de reeks Optimyst worden beschermd door een of meer van de volgende octrooien en octrooiaanvragen:

Groot-Brittannië GB2460259B, GB2475794B, GB2418014, EP2029941, GB2436212, GB2402206B

Verenigde Staten US8413358, US8136276, US7967690, US8574086

Rusland RU2434181

Europees EP2029941, EP2315976, EP1787063 (A1), EP2388527, EP2029941,

China CN101883953A, CN102105746A, CN101057105 (A), CN101438104

Australië AU2009248743A1, AU2007224634

Canada CA2725214, CA2579444, CA2645939

Zuid-Afrika ZA2008/08702

Mexico MX2008011712

Zuid-Korea KR101364191

Japan JP5281417, JP5496291

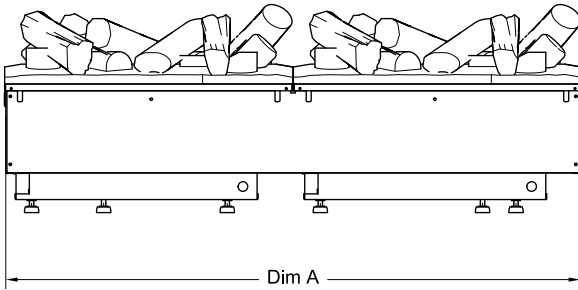
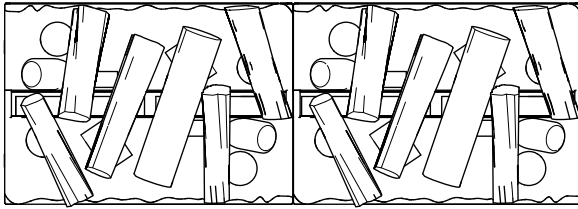
Brazilië BRP10708894

India 4122/KOLNP/2008

Nieuw-Zeeland NZ571900

Probleemoplossing

Symptoom	Oorzaak	Oplossing
Het vlameffect start niet.	<p>De netstekker zit niet in het stopcontact.</p> <p>Laag waterniveau.</p> <p>Laagspanningsstekker niet goed aangesloten. (Zie Afb. 10)</p>	<p>Controleer of de stekker goed in het stopcontact zit.</p> <p>Controleer of het waterreservoir vol is en of er water in de opvangbak aanwezig is.</p> <p>Controleer of de stekker goed in het stopcontact zit. (Zie Afb. 10)</p>
Het vlameffect is te laag.	<p>De regelknop voor het vlameffect is te laag ingesteld.</p> <p>De schijf in de transducer is mogelijk vuil.</p> <p>De draad van de transducer unit bevindt zich boven de schijf</p>	<p>Verhoog het vlamniveau door te drukken op <input checked="" type="checkbox"/> op uw afstandsbediening of ontvanger</p> <p>Reinig de schijf met een zachte borstel. Zie 'Onderhoud' voor een stap-voor-stapprocedure.</p> <p>Leidt de draad naar de achterkant van de opvangbak en zorg dat hij in de sleuf aan de zijkant zit, die uit de opvangbak komt.</p>
Onaangename geur als de kachel wordt gebruikt.	<p>Vuil of niet vers water.</p> <p>Het gebruik van ongefilterd leidingwater.</p>	<p>Reinig de kachel zoals beschreven bij onderhoud.</p> <p>Gebruik uitsluitend gefilterd leidingwater.</p>
Het vlameffect geeft te veel rook af.	Het vlameffect is te hoog ingesteld.	Verlaag het vlameffect. Geef het vlammechanisme tijd om zich aan te passen aan deze nieuwe instelling.



MODEL	DIM 'A'
CAS500	508mm
CAS1000	1017mm

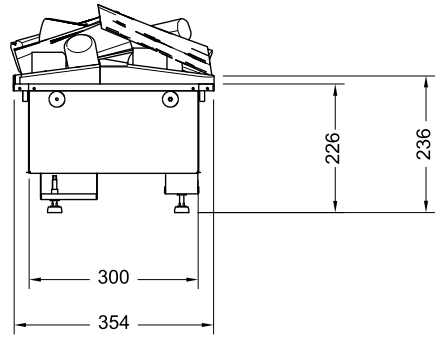


Fig.1

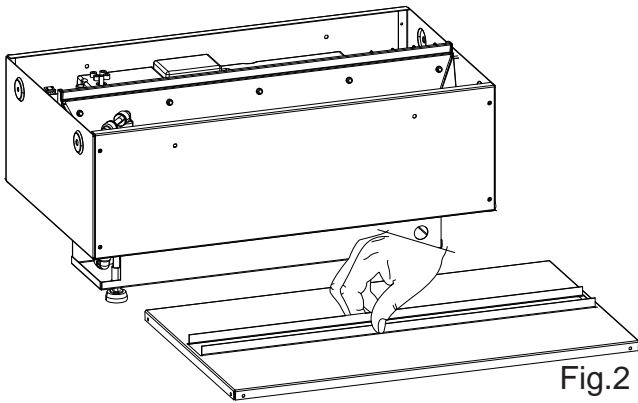


Fig.2

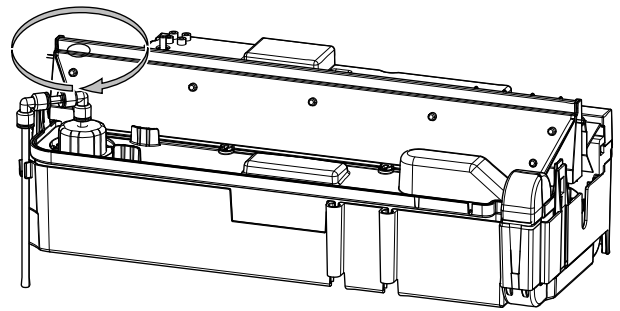


Fig.3a

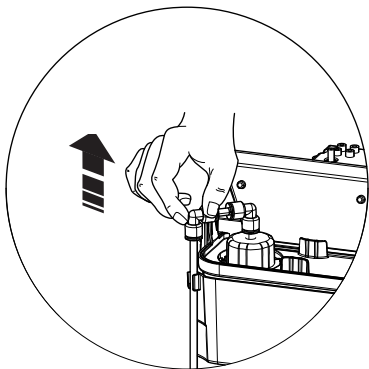


Fig.3b

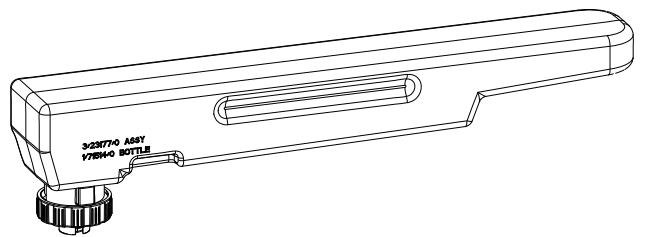


Fig.3c

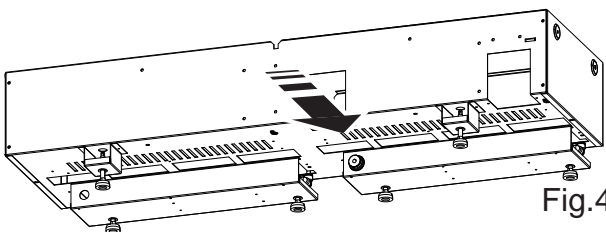


Fig.4

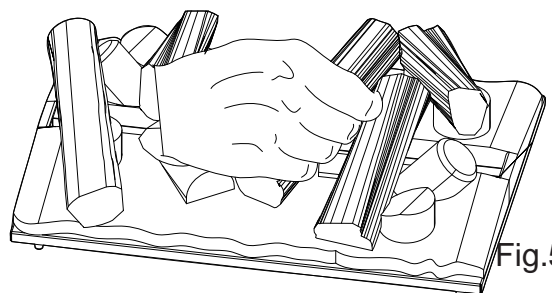


Fig.5

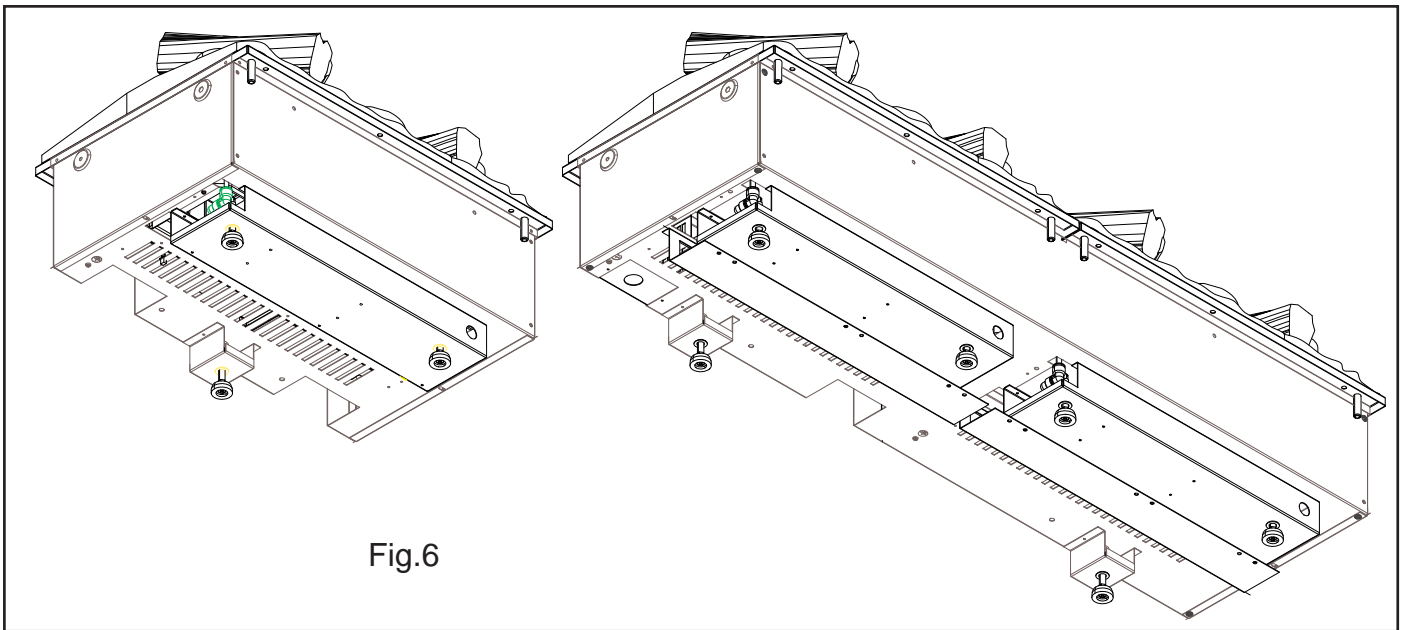


Fig.6

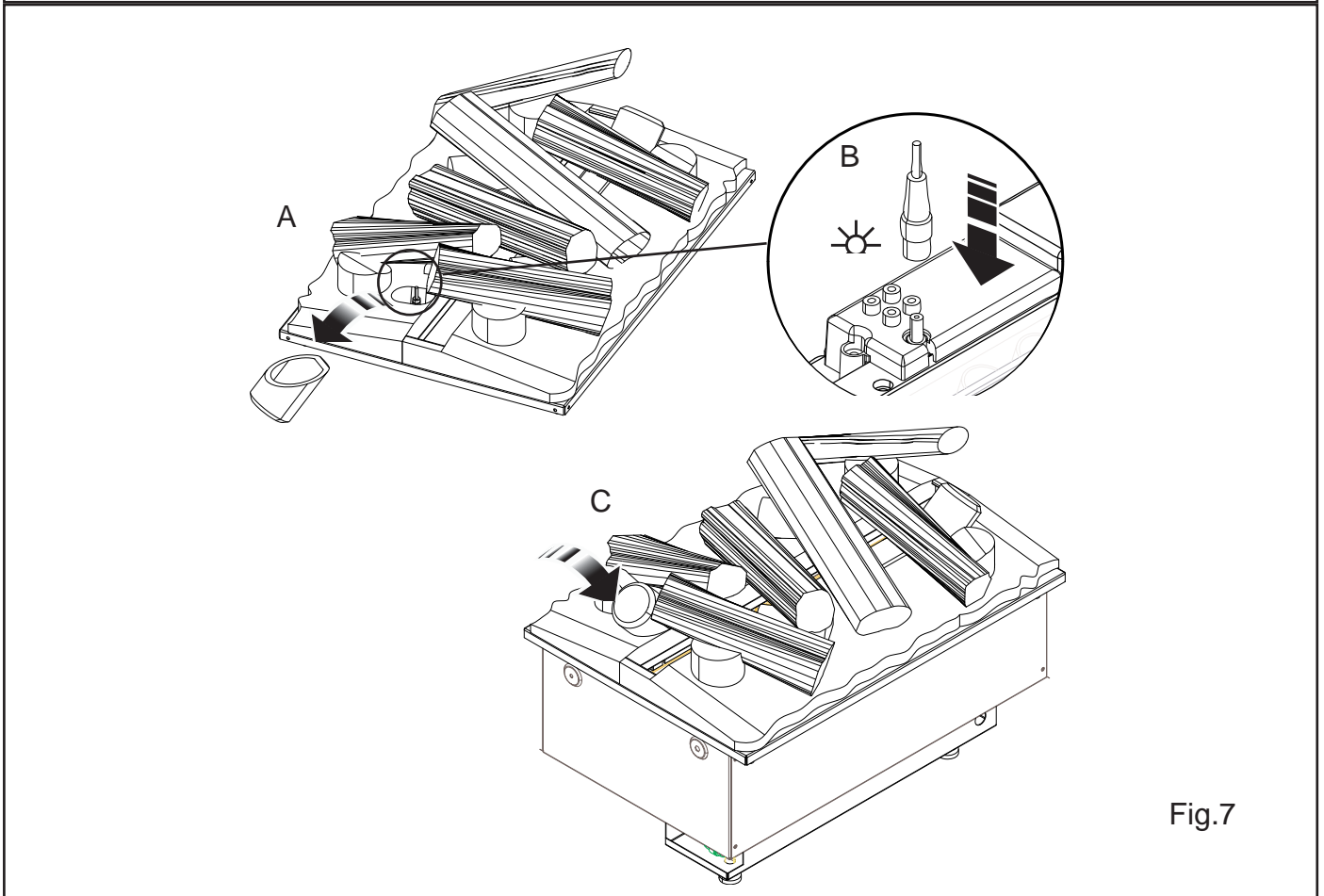
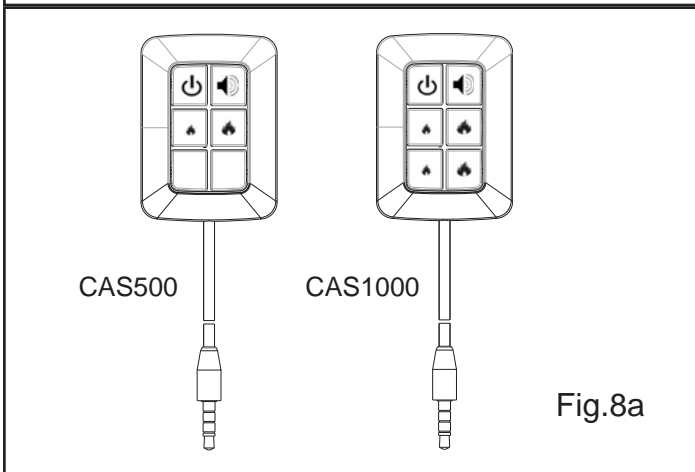


Fig.7



CAS500

CAS1000

Fig.8a

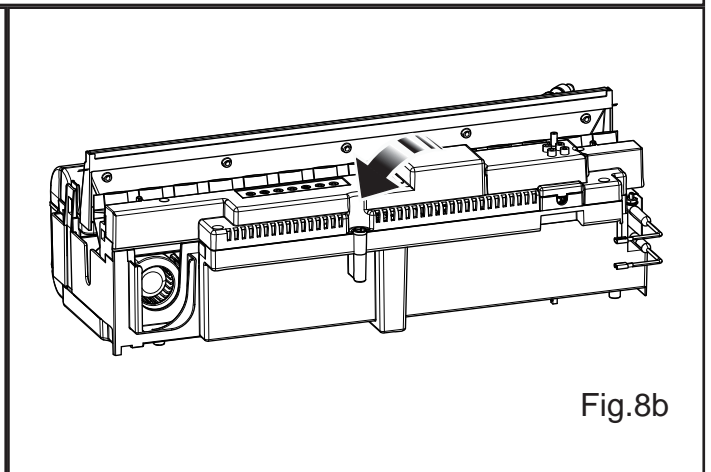
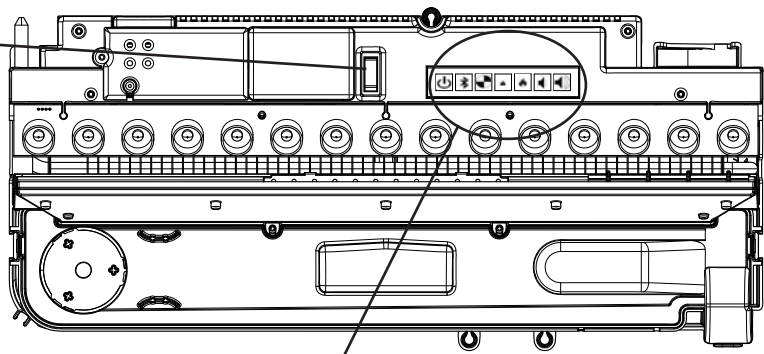
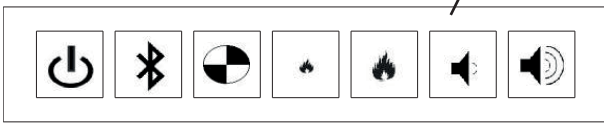


Fig.8b

Switch 'A'



CAS500



CAS1000

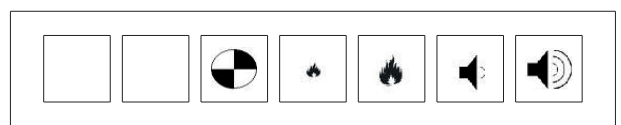
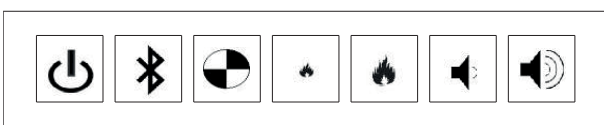


Fig.9

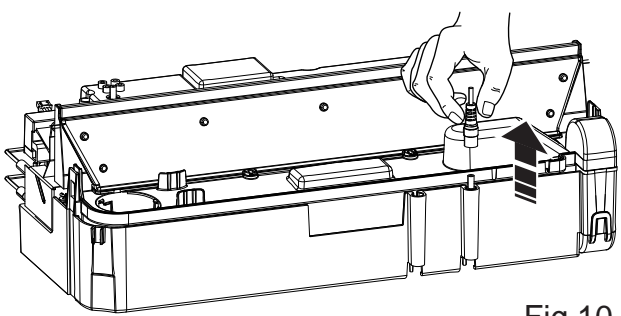


Fig.10

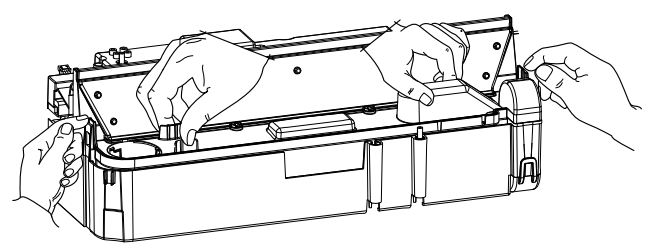


Fig.11

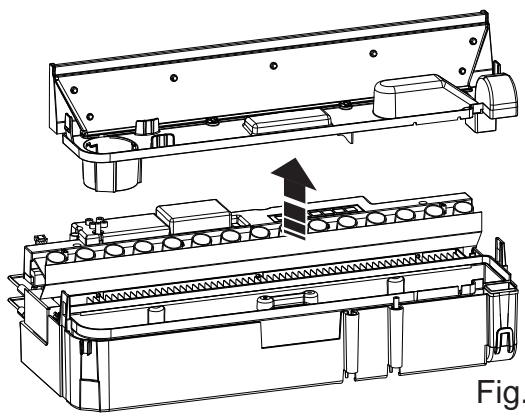


Fig.12

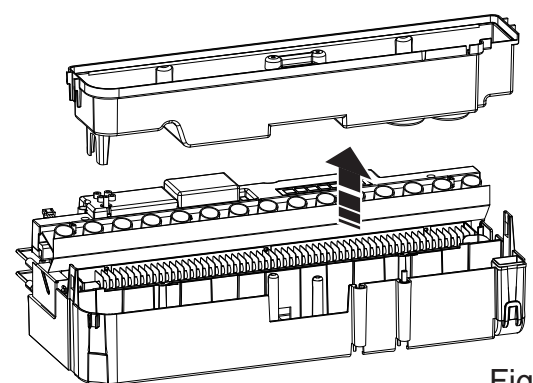


Fig.13

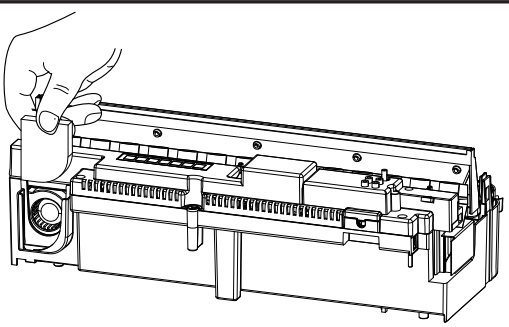
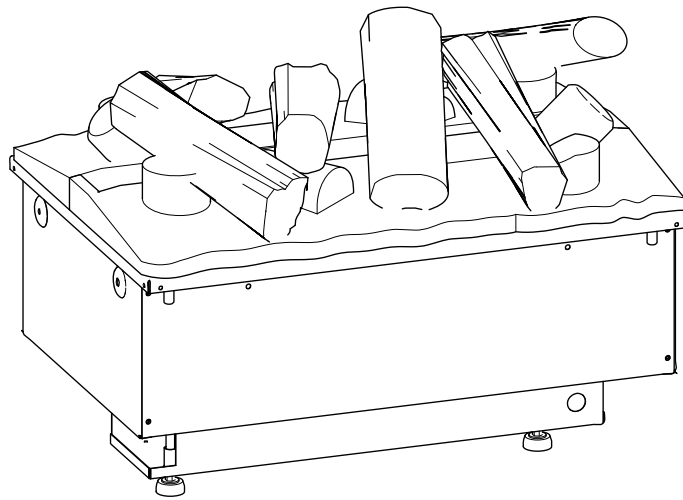
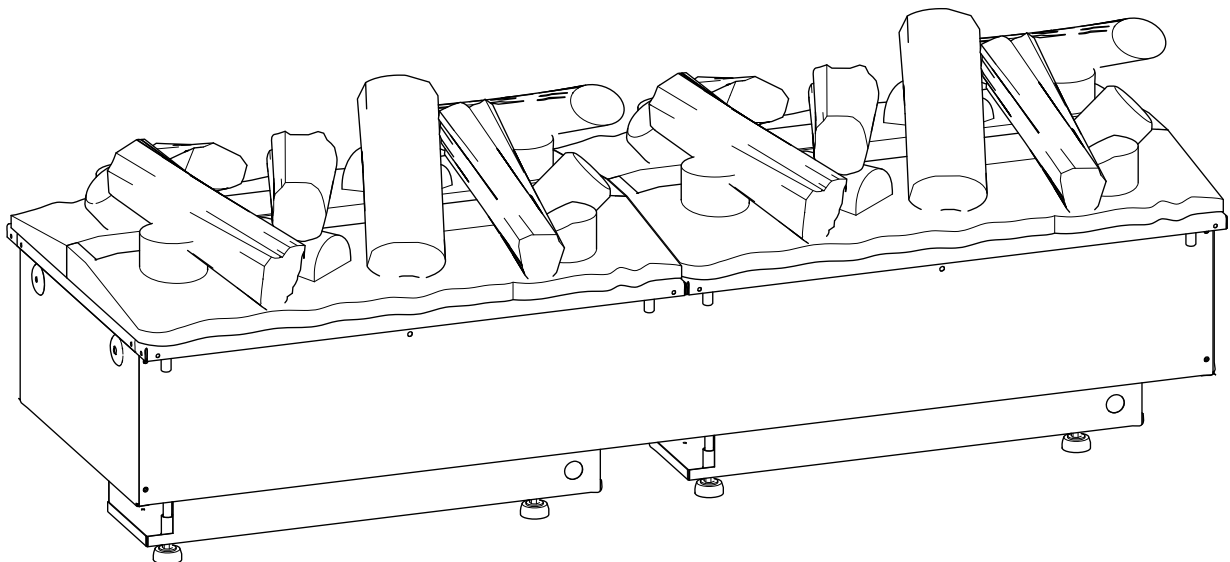


Fig.14

Dimplex



CAS500



CAS1000

Dimplex CAS500, CAS1000

Introduction

Veillez lire attentivement ce mode d'emploi afin d'installer, d'utiliser et d'entretenir votre produit en toute sécurité.

Conseils de sécurité importants

Lors de l'utilisation d'appareils électriques, toujours prendre des précautions élémentaires afin de réduire les risques d'incendie, d'électrocution et de blessure, notamment :

Si l'appareil est endommagé, consulter le fournisseur avant toute installation ou utilisation.

Ne pas utiliser à l'extérieur.

Ne pas utiliser à proximité immédiate d'une baignoire, d'une douche ou d'une piscine.

Ne pas placer l'appareil de chauffage juste en dessous d'une prise murale ou d'un boîtier de connexion.

Cet appareil peut être utilisé par des enfants âgés d'au moins 8 ans et des personnes aux capacités physiques, sensorielles ou mentales réduites ou manquant d'expérience et de connaissances, pourvu qu'ils bénéficient d'une surveillance ou d'instructions quant à l'utilisation de l'appareil de façon sécurisée et qu'ils comprennent les risques encourus. Les enfants ne doivent pas jouer avec cet appareil. Aucune opération de nettoyage et d'entretien réalisable par l'utilisateur ne doit être effectuée par des enfants sans supervision.

Les enfants âgés de moins de 3 ans doivent être tenus à distance de l'appareil, à moins qu'ils ne soient surveillés en permanence.

Les enfants âgés entre 3 ans et 8 ans doivent uniquement être autorisés à allumer et éteindre l'appareil à condition que celui-ci soit déjà placé ou installé dans sa position d'utilisation normale et qu'ils aient reçu les instructions nécessaires et soient supervisés pour utiliser l'appareil en toute sécurité et en comprenant les risques encourus. Les enfants de trois à huit ans ne doivent pas brancher, régler ou nettoyer l'appareil ou effectuer aucune des opérations de nettoyage et d'entretien réalisables par l'utilisateur.

AVERTISSEMENT : Certains des éléments de cet appareil peuvent devenir très chauds et provoquer des brûlures. Être très attentif lorsque des enfants et des personnes vulnérables sont présents.

Ne pas utiliser l'appareil de chauffage en série avec un régulateur thermique, un système de commande programmé, une minuterie ou tout autre dispositif déclenchant automatiquement de la chaleur, car il existe un risque d'incendie lorsque l'appareil de chauffage est accidentellement recouvert ou déplacé.

Assurez-vous que les meubles, les rideaux ou les autres matériaux combustibles sont placés à au moins 1 mètre de l'appareil.

Débrancher l'appareil en cas d'anomalie.

Débrancher l'appareil lorsque celui-ci n'est pas utilisé pendant une période prolongée.


Bien que cet appareil de chauffage soit conforme aux normes de sécurité, nous recommandons de ne pas l'utiliser sur une moquette extra-épaisse ou sur des tapis à poils longs.

L'appareil doit être placé de sorte que la fiche électrique soit accessible.

Si le cordon d'alimentation est endommagé, il doit être remplacé par le fabricant, l'agent d'entretien ou une personne de qualification similaire afin d'éviter tout danger.

Maintenir le cordon d'alimentation éloigné de l'avant de l'appareil.

AVERTISSEMENT : Afin d'éviter tout risque de surchauffe, ne jamais couvrir l'appareil. Ne placer aucun objet ni vêtement dessus ; ne pas gêner la circulation de l'air autour de l'appareil.

L'appareil porte une étiquette de mise en garde « NE PAS COUVRIR ». 

Cet appareil de chauffage n'est pas équipé d'un dispositif de contrôle de la température ambiante. Ne pas utiliser cet appareil dans de petites pièces si elles sont occupées par des personnes incapables d'en sortir par elles-mêmes, sauf si elles sont surveillées en permanence.

Informations générales

Utiliser uniquement de l'eau filtrée dans cet appareil.

Déballez l'appareil avec précaution et conservez l'emballage pour une utilisation ultérieure éventuelle, que ce soit pour un déménagement ou un retour du foyer au fournisseur.

Veillez toujours à ce que l'appareil repose sur un sol plat, de niveau.

Ceci est un appareil à effet flamme seul.

Il a été conçu pour être construit dans une enceinte ou encastré dans un mur.

Avant de le brancher, vérifiez que la tension d'alimentation du secteur est identique à celle indiquée sur l'appareil.

Remarque : L'effet flamme s'accompagne d'un son audible dans un environnement silencieux. Ce son est normal et ne doit pas être une source d'inquiétude.

Une fois installé, veillez à ne jamais déplacer ni mettre cet appareil à plat sur le dos sans avoir vidangé l'eau du bac et du réservoir d'eau au préalable.

Le réservoir d'eau, le bac, le couvercle du bac, le bouchon du réservoir et les filtres à air doivent être nettoyés une fois toutes les deux semaines, en particulier dans les régions où l'eau est calcaire.

Si vous prévoyez de ne pas utiliser l'appareil pendant plus de 2 semaines, vidangez l'eau du bac et du réservoir d'eau puis séchez le bac.

Le bac et le réservoir d'eau de cet appareil sont traités avec un produit biocide, le Silver Biocide. Ceci est conforme aux normes ISO pertinentes les plus récentes.

Ne pas boire l'eau du bac ou des réservoirs d'eau.

Cet appareil est destiné à être raccordé en permanence à une conduite d'eau et ne doit pas être raccordé par des accessoires de raccordement

Instructions d'installation

Ce chapitre décrit l'installation de votre foyer.

AVANT DE COMMENCER

1. Veillez à retirer tous les éléments de l'emballage (lire attentivement toutes les étiquettes d'avertissement) et à les conserver pour une utilisation future.
2. Avant de le brancher, vérifiez que la tension d'alimentation du secteur est identique à celle indiquée sur l'appareil.
3. Veillez à ce que l'appareil repose sur une surface plate et de niveau
4. Retirez la plaque métallique du dessus en la soulevant pour avoir accès à l'appareil. Conservez la plaque métallique dans son emballage pour une utilisation éventuelle à l'avenir. (Fig. 2)

Guide d'installation

Ce produit peut être encastré dans un mur, une enceinte ou une structure. Prenez note des dimensions du produit dans la Fig. 1 et préparez votre mur, enceinte ou structure en en tenant compte. Pour toute étagère/enceinte se trouvant au-dessus du produit, il est nécessaire de laisser un espace de 400 mm minimum en partant de la base de la couche de combustible. Cela laissera assez d'espace au-dessus du produit pour laisser les flammes se former complètement et ne pas être gênées. Il est nécessaire de permettre une ventilation adéquate sous le produit pour son bon fonctionnement. La surface libre de ventilation permet de garder les composants électroniques au frais, la brume de sortir du bac et de sortir du produit sans effort.

LA SURFACE LIBRE DE VENTILATION DU CAS500 DOIT ÊTRE D'AU MOINS 210 CM².

LA SURFACE LIBRE DE VENTILATION DU CAS1000 DOIT ÊTRE D'AU MOINS 420 CM².

Conception de l'enceinte

Les modèles CAS500 et CAS1000 sont conçus pour être encastrés dans une enceinte/ un mur. En vous servant des dimensions figurant à la Fig. 1., vous pouvez concevoir une cavité pour l'appareil. Assurez-vous de laisser assez d'espace en dessous et autour de l'appareil pour le raccordement à l'eau et à l'électricité. Une fois que l'enceinte/le mur est préparé(e), vous pouvez placer l'appareil. Positionnez la couche de combustible à bûches LED pour vous assurer que l'appareil est centré, voir la section « Montage de la couche de combustible à bûches LED ». Lorsque c'est correctement positionné, soulevez la couche de combustible et, à l'aide des vis appropriées pour l'enceinte/le mur, vissez les vis dans les orifices présents sur les panneaux latéraux gauche et droit servant à fixer l'appareil.

Alimentation en eau

L'appareil peut fonctionner à l'aide du ou des réservoir(s) d'eau fournis ou en le raccordant à l'eau courante.

Réservoir(s) d'eau : Vous devez retirer le « bouchon de remplissage » du bac. (Fig. 3a et Fig. 3b). Mettez le ou les réservoir(s) d'eau (Fig. 3C) dans votre évier et retirez le bouchon (tournez vers la gauche). Remplissez le réservoir d'eau avec **de l'eau du robinet filtrée uniquement**. En respectant cette consigne, la durée de vie du générateur de flammes et de fumée pourra être prolongée. L'eau doit être filtrée au moyen d'un appareil domestique de filtrage conventionnel et le filtre doit être remplacé régulièrement. **N'utilisez pas** d'eau distillée.

Eau courante : Si vous choisissez d'alimenter en eau courante votre appareil, rangez la ou les bouteille(s) avec la plaque métallique supérieure et l'emballage. Vous pouvez utiliser le clapet de commande d'eau (fourni) pour le relier à votre conduite d'eau courante en :

1. Fixant le clapet sur votre conduite d'eau : tuyau de 12,7 mm maximum
2. Raccordant un tube en PVC de 6,35 mm (non fourni) qui va du clapet au filtre à eau fourni puis au produit (Fig. 4).
3. Tournez le robinet du clapet vers la droite pour percer la conduite d'eau. Tournez le robinet vers la gauche pour laisser l'eau s'écouler à travers le clapet. Vous pouvez arrêter l'écoulement d'eau vers le produit en tournant le robinet du clapet vers la droite jusqu'à ce que l'écoulement s'arrête.
4. Ouvrez le robinet à bille interne situé sous le bac. Retirez le bac comme indiqué sous la section « Nettoyage » de la rubrique Entretien

Remarque : la pression de l'eau doit se situer entre 8 bars (800 kilopascals) et 0,5 bar (50 kilopascals).

Si vous ne savez pas comment faire ce raccord, renseignez-vous auprès d'un plombier qualifié pour garantir une installation sûre.

Branchement électrique

Brancher l'appareil sur une prise de 13 ampères/240 volts. Assurez-vous d'avoir accès à la prise après l'installation pour pouvoir débrancher. Assurez-vous que le câble d'alimentation sort de l'arrière de l'appareil du foyer, sur le coin droit ou gauche selon l'emplacement de votre prise de courant, et qu'il n'est pas coincé sous le foyer, ce qui risquerait de l'endommager. Si vous branchez plusieurs appareils sur la même prise, veillez à n'en brancher pas plus de 5. Si vous devez brancher plus d'appareils ils doivent être branchés sur un circuit séparé.

L'appareil peut être raccordé au câblage fixe des lieux à travers un boîtier de raccordement adapté attenant à l'appareil. L'installation électrique doit être réalisée par un électricien compétent et être en stricte conformité avec les réglementations IEE actuelles relatives aux équipements électriques dans des bâtiments.

L'électricien peut retirer la prise fournie de la manière suivante :

1. En soulevant la couche de combustible et en réglant l'interrupteur « A » sur la position d'arrêt (Fig. 9).
2. En s'assurant que l'appareil est débranché.
3. En soulevant le couvercle d'accès en retirant la vis de fixation (Fig. 15).
4. En dévissant et retirant les câbles phase, neutre et terre.
5. En dévissant le serre-câble (Fig. 16 « A ») et en retirant le cordon d'alimentation.

L'électricien peut raccorder ensuite le câble de l'appareil (en suivant les étapes ci-dessus en sens inverse) au boîtier de raccordement en s'assurant qu'il incorpore un contacteur isolant bipolaire avec une séparation entre les contacts d'au moins 3 mm. Marron - Phase (L), Bleu - Neutre (N) et Vert/Jaune - Terre (E).

Montage de la couche de combustible à bûches LED

Ce produit est équipé d'une « couche de combustible métallique ». Avant de monter la couche de combustible à bûches LED, vous devez retirer cette couche de combustible métallique en la soulevant et la mettre de côté (Fig. 2). Vous pouvez la garder pour un usage futur. Retirez délicatement la couche de combustible à bûches LED de son emballage.

AVERTISSEMENT : Assurez-vous de soulever la couche de combustible uniquement par les deux bûches centrales (Fig. 5). Ce sont les plus robustes. Placez la couche de combustible sur le dessus de l'appareil, il y a quatre 4 repères en plastique sous la couche de combustible pour aider à la placer (Fig. 6). La couche de combustible peut être placée d'avant en arrière ou d'arrière en avant, au choix du client. Une fois en place, soulevez la petite bûche détachée, elle est tenue en place par des aimants. Sous cette bûche se trouve une prise CC et un orifice à travers la couche de combustible. Branchez ceci à la prise CC du produit à travers les orifices de la couche de combustible (Fig. 7). Le montage est terminé et prêt à être allumé.

Le produit comporte une autre bûche non LED emballée avec la couche de combustible. Pour le modèle CAS500, elle peut être placée sur le dessus de la couche de combustible ou rangée dans son emballage. Pour le modèle CAS1000, la bûche détachée peut être placée au centre entre les deux couches de combustibles.

Raccord du récepteur

Prenez votre récepteur, 4 boutons pour le modèle CAS500 et 6 boutons pour le modèle CAS1000, et, la couche de combustible ayant été retirée, insérez la fiche de 3,5 mm dans la prise à l'arrière de l'appareil (Fig. 8). Le récepteur est doté d'une longueur de câble de 1,4 m qui vous permettra de le positionner n'importe où autour du produit. Si vous préférez le cacher, vous pouvez placer le récepteur dans l'enceinte/ le mur. Vérifiez bien que le récepteur ne soit pas enclos dans du métal, du béton ou tout autre matériau dense, car cela affectera le signal de la télécommande.

Fonctionnement du produit

Ce chapitre décrit comment allumer votre foyer en utilisant les commandes manuelles ou la télécommande.

COMMANDES MANUELLES






Les commandes manuelles se trouvent sous la couche de combustible. Voir Fig. 5



CAS500

Interrupteur secteur « A » : - Commande l'alimentation en électricité à l'appareil.

Remarque : Cet interrupteur doit être sur la position « MARCHE » (I) pour un bon fonctionnement de l'appareil

Panneau de boutons « A » : - Commande le fonctionnement de l'appareil

-  est le bouton de marche/veille. Appuyer dessus pour allumer et éteindre l'effet flamme. Les ampoules principales s'allument pour indiquer que l'appareil est allumé. Bien que les ampoules principales fonctionnent immédiatement, 45 secondes supplémentaires sont nécessaires pour que l'effet flamme démarre.
-  est le bouton Bluetooth. Il vous permettra d'apparier votre télécommande au récepteur. Voir « Fonctionnement de la télécommande » pour des détails
-  est le bouton de mode d'essai. Il sera utilisé par le fabricant et l'ingénieur de maintenance
-  est le bouton de réduction de flamme. Appuyer dessus pour réduire la hauteur ou l'intensité de la flamme. On peut entendre distinctement un son lorsque le niveau minimum est atteint
-  est le bouton d'augmentation de flamme. Appuyer dessus pour augmenter la hauteur ou l'intensité de la flamme. On peut entendre distinctement un son lorsque le niveau maximum est atteint








-  est le bouton de réduction du son du feu qui crépite. Appuyer dessus pour réduire le crépitement. Le volume minimum pour cela est éteint
-  est le bouton d'augmentation du crépitement du feu. Appuyer dessus pour augmenter l'effet de crépitement.

CAS1000






Interrupteur secteur « A » :- Commande l'alimentation en électricité à l'appareil.

Remarque : Cet interrupteur doit être sur la position « MARCHE » (I) pour un bon fonctionnement de l'appareil



Panneau de boutons « A » :- Commande le fonctionnement du côté gauche de l'appareil

-  est le bouton de marche/veille. Appuyer dessus pour allumer et éteindre l'effet flamme. L'ampoule s'allume pour indiquer que l'effet flamme est allumé. Bien que les ampoules principales fonctionnent immédiatement, 45 secondes supplémentaires sont nécessaires pour que l'effet flamme démarre.
-  est le bouton Bluetooth. Il vous permettra d'apparier votre télécommande au récepteur. Voir « Fonctionnement de la télécommande » pour des détails
-  est le bouton de mode d'essai. Il sera utilisé par le fabricant et l'ingénieur de maintenance
-  est le bouton de réduction de flamme. Appuyer dessus pour réduire la hauteur ou l'intensité de la flamme. On peut entendre distinctement un son lorsque le niveau minimum est atteint
-  est le bouton d'augmentation de flamme. Appuyer dessus pour augmenter la hauteur ou l'intensité de la flamme. On peut entendre distinctement un son lorsque le niveau maximum est atteint
-  est le bouton de réduction du son du feu qui crépite. Appuyer dessus pour réduire le crépitement. Le volume minimum pour cela est éteint
-  est le bouton d'augmentation du crépitement du feu. Appuyer dessus pour augmenter l'effet de crépitement.

Panneau de boutons « B » :- Commande le fonctionnement du côté gauche de l'appareil

-  est le bouton de mode d'essai. Il sera utilisé par le fabricant et l'ingénieur de maintenance
-  est le bouton de réduction de flamme. Appuyer dessus pour réduire la hauteur ou l'intensité de la flamme. On peut entendre distinctement un son lorsque le niveau minimum est atteint
-  est le bouton d'augmentation de flamme. Appuyer dessus pour augmenter la hauteur ou l'intensité de la flamme. On peut entendre distinctement un son lorsque le niveau maximum est atteint
-  est le bouton de réduction du son du feu qui crépite. Appuyer dessus pour réduire le crépitement. Le volume minimum pour cela est éteint
-  est le bouton d'augmentation du crépitement du feu. Appuyer dessus pour augmenter l'effet de crépitement.

OBTENTION DE L'EFFET FLAMME SOUHAITÉ





1. Allumer l'appareil en réglant l'interrupteur principal sur « marche » et en appuyant sur le bouton de marche/veille. Les flammes démarreront après 45 secondes. Les flammes seront à leur hauteur maximale pendant 5 secondes puis reviendront à un niveau nominal
2. Appuyez sur les boutons  et  pour régler la flamme au niveau désiré. Veuillez donner du temps au générateur de flammes de réagir aux changements effectués.
3. Ne pas incliner ou déplacer l'appareil quand il y a de l'eau dans le réservoir ou le bac
4. Veiller à ce que l'appareil repose sur une surface plate et de niveau

Après avoir réglé la hauteur de la flamme et le crépitement, l'appareil conservera ces réglages même si vous éteignez l'appareil, soit à l'aide du bouton de marche/veille soit à l'aide de l'interrupteur principal. La prochaine fois que vous allumerez l'appareil, il démarrera de la manière habituelle, patientez 45 secondes avant que les flammes ne démarrent, faites monter à une hauteur maximale pendant 5 secondes puis revenez aux réglages définis.



COMMANDES DU RÉCEPTEUR BLUETOOTH





Le récepteur Bluetooth est doté de commandes manuelles

CAS500

-  est le bouton de marche/veille. Appuyer dessus pour allumer et éteindre l'effet flamme.
-  est le son du feu qui crépite. Appuyer dessus pour allumer et éteindre le crépitement. Le volume est réglé par les commandes manuelles de l'appareil
-  est le bouton de réduction de flamme. Appuyer dessus pour réduire la hauteur ou l'intensité de la flamme. On peut entendre distinctement un son lorsque le niveau minimum est atteint
-  est le bouton d'augmentation de flamme. Appuyer dessus pour augmenter la hauteur ou l'intensité de la flamme. On peut entendre distinctement un son lorsque le niveau maximum est atteint



CAS1000

-  est le bouton de marche/veille. Appuyer dessus pour allumer et éteindre l'effet flamme.
-  est le son du feu qui crépite. Appuyer dessus pour allumer et éteindre le crépitement. Le volume est réglé par les commandes manuelles de l'appareil

-  est le bouton de réduction de flamme pour le côté gauche de l'appareil. Appuyer dessus pour réduire la hauteur ou l'intensité de la flamme. On peut entendre distinctement un son lorsque le niveau minimum est atteint
-  est le bouton d'augmentation de flamme pour le côté gauche de l'appareil. Appuyer dessus pour augmenter la hauteur ou l'intensité de la flamme. On peut entendre distinctement un son lorsque le niveau maximum est atteint
-  est le bouton de réduction de flamme pour le côté droit de l'appareil. Appuyer dessus pour réduire la hauteur ou l'intensité de la flamme. On peut entendre distinctement un son lorsque le niveau minimum est atteint
-  est le bouton d'augmentation de flamme pour le côté droit de l'appareil. Appuyer dessus pour augmenter la hauteur ou l'intensité de la flamme. On peut entendre distinctement un son lorsque le niveau maximum est atteint

TÉLÉCOMMANDE BLUETOOTH

La télécommande est fournie avec deux piles AAA. Retirez le couvercle de la pile situé en dessous de la télécommande, et après avoir retiré les piles de l'emballage en plastique, mettez-les en place. Remettez le couvercle en place.

La télécommande est dotée de la technologie Bluetooth et doit être appariée au récepteur Bluetooth. Cette opération s'effectue en appuyant sur le  bouton situé sur le panneau de boutons « A », les LED commenceront à clignoter. Cela sert à indiquer que l'appareil est prêt à se connecter à la télécommande. Appuyez sur le  bouton de la télécommande. L'appareil s'éteindra. La télécommande est désormais appariée à l'appareil.

Le fonctionnement de la télécommande est le même que celui décrit dans la section « Commandes du récepteur ». Vous pouvez appairier plusieurs produits à la télécommande en répétant l'action d'appariement comme indiquée ci-dessus sur vos autres produits.

Le fonctionnement de la télécommande est le même que celui décrit dans la section « Commandes du récepteur Bluetooth ».

Entretien

CONSEILS GÉNÉRAUX

N'utilisez que de l'eau du robinet filtrée pour cet appareil.

Veillez toujours à ce que l'appareil repose sur un sol plat, de niveau.

Si vous prévoyez de ne pas utiliser l'appareil pendant plus de 2 semaines, retirez et videz le bac et le réservoir d'eau.

Une fois installé, veillez à ne jamais déplacer ni mettre cet appareil à plat sur le dos sans avoir vidangé l'eau du bac et du réservoir d'eau au préalable.

NETTOYAGE

Avertissement : – Appuyez toujours sur l'interrupteur « A » pour mettre le foyer sur la position « ARRÊT » (0) (Fig. 10) et débranchez l'appareil de l'alimentation secteur avant de le nettoyer.

Nous vous conseillons de nettoyer les éléments suivants une fois toutes les 2 semaines, en particulier dans les régions où l'eau est calcaire :

réservoir d'eau, bac, embout, bouchon et joint du réservoir, filtre à air.

Pour un nettoyage régulier, utilisez un chiffon à poussière doux et n'utilisez jamais de produits nettoyants abrasifs.

Utilisez la brosse douce d'un aspirateur de temps à autre pour nettoyer la grille du ventilateur et éliminer la poussière et les peluches qui se sont accumulées.

Réservoir d'eau

1. Retirez le réservoir d'eau comme indiqué plus tôt, mettez-le dans l'évier et videz l'eau.
2. À l'aide de la brosse fournie, frottez délicatement les surfaces intérieures du bouchon en faisant particulièrement attention à la bague en caoutchouc de la rainure extérieure et au joint central en caoutchouc.
3. Mettez une petite quantité de détergent dans le réservoir, remettez le bouchon en place et secouez bien. Rincez jusqu'à ce que toutes les traces de détergent disparaissent.
4. Remplissez avec de l'eau du robinet filtrée uniquement, remettez le bouchon en place sans trop serrer.

Bac

1. Appuyez sur l'interrupteur « A » pour le mettre sur la position « ARRÊT » (0) .
2. Soulevez doucement la couche de combustible et placez-la soigneusement sur le sol.
3. Retirez le réservoir d'eau en le soulevant.
4. Débranchez le connecteur électrique situé sur le côté droit du bac. (Fig. 5).
5. Détachez les languettes de verrouillage sur le côté droit du bac en les tournant à 90°. Cela permet de soulever complètement le bac de son emplacement. (Fig. 11)
6. Soulevez délicatement le bac en veillant à le maintenir de niveau de façon à ne pas renverser l'eau. Placez l'ensemble dans l'évier.
7. Détachez les languettes de verrouillage sur le côté gauche du bac en les tournant à 90°, puis soulevez l'embout. (Fig. 3)
8. Soulevez le transducteur et inclinez-le délicatement, comme indiqué, pour que le liquide s'écoule du bac. (Fig. 13)
9. Placez une petite quantité de détergent dans le bac et, à l'aide de la brosse fournie, nettoyez délicatement toutes les surfaces et le transducteur, ainsi que les disques métalliques qui se trouvent dans la surface rainurée supérieure. (Fig. 14)
10. Après nettoyage, rincez abondamment le bac à l'eau claire pour supprimer toute trace de détergent.
11. Nettoyez l'embout à l'aide de la brosse et rincez soigneusement avec de l'eau. (Fig. 15)
12. Répétez les étapes ci-dessus dans l'ordre inverse pour remonter l'ensemble.

Transducteur

Le transducteur est un consommable et peut devoir être remplacé au fil du temps en fonction de sa fréquence d'usage. Des transducteurs de rechange peut être achetés sur notre site web <http://spares.dimplex.co.uk>. Le transducteur est fixé dans le bac par un clip en plastique. Si vous devez remplacer votre transducteur

1. Suivez les étapes 1-5 de la section NETTOYAGE du bac sous « Entretien » pour avoir accès au transducteur
2. Appuyez sur le clip et soulevez le transducteur vers vous pour le sortir de son support.
3. Retirez le cône en tournant vers la droite et placez-le sur votre nouveau transducteur. Tournez le cône vers la gauche jusqu'à ce qu'il soit suffisamment serré
4. Répétez les étapes dans l'ordre inverse (5-1) pour remonter l'ensemble

Filtre à air

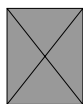
1. Soulevez doucement la couche de combustible et placez-la soigneusement sur le sol.
2. Faites coulisser délicatement le support en plastique du filtre à air vers le haut. (Fig. 16)
3. Rincez-le soigneusement à l'eau dans l'évier et séchez-le avec une serviette en tissu avant de le remettre en place.
4. Remplacez le filtre en veillant à ce que la partie noire et épaisse soit tournée vers l'avant du foyer.
5. Remplacez la couche de combustible.

Informations supplémentaires

SERVICE APRÈS-VENTE

Votre produit est garanti pendant un an à partir de la date d'achat. Dans ces délais, nous nous engageons à réparer ou échanger le produit gratuitement (à l'exclusion des disques de transducteur et sous réserve de disponibilité) pourvu que son installation et fonctionnement ont été conformes aux présentes instructions. Vos droits dans le cadre de cette garantie s'ajoutent à vos droits légaux, lesquels ne sont pas concernés par la présente garantie.

RECYCLAGE



Pour les produits électriques vendus au sein de la Communauté Européenne - À la fin de leur durée de vie, les produits électriques ne doivent pas être mis au rebut avec les ordures ménagères. Veuillez utiliser les services de recyclage locaux. Consulter les autorités locales ou votre revendeur local pour obtenir des conseils quant au recyclage dans votre pays.

BREVET / DEMANDE DE BREVET

Les produits de la gamme Optimyst sont protégés par un ou plusieurs des brevets ou demandes de brevet suivants :

Grande Bretagne GB2460259B, GB2475794B, GB2418014, EP2029941, GB2436212, GB2402206B

États-Unis US8413358, US8136276, US7967690, US8574086

Russie RU2434181

Europe EP2029941, EP2315976, EP1787063 (A1), EP2388527, EP2029941,

Chine CN101883953A, CN102105746A, CN101057105 (A), CN101438104

Australie AU2009248743A1, AU2007224634

Canada CA2725214, CA2579444, CA2645939

Afrique du Sud ZA2008/08702

Mexique MX2008011712

Corée du Sud KR101364191

Japon JP5281417, JP5496291

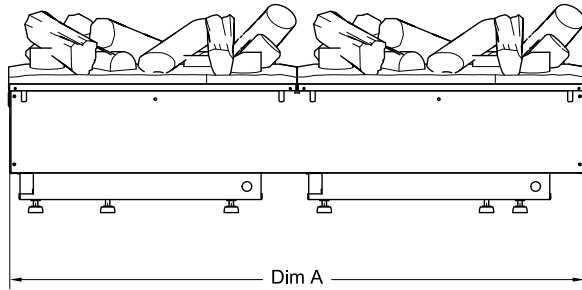
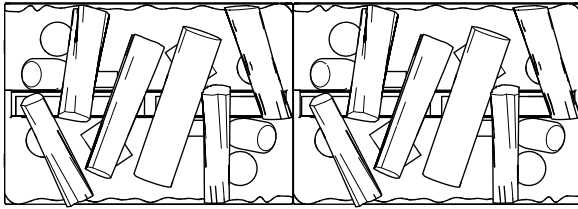
Brésil BRP10708894

Inde 4122/KOLNP/2008

Nouvelle-Zélande NZ571900

Résolution des problèmes

Symptôme	Cause	Mesure corrective
L'effet de flamme ne se produit pas.	<p>La prise secteur n'est pas branchée.</p> <p>Niveau d'eau faible.</p> <p>Connecteur basse tension mal branché. (voir Fig. 10).</p>	<p>Vérifier que la fiche électrique est correctement connectée à la prise murale.</p> <p>Vérifier que le réservoir d'eau est rempli et que le bac contient de l'eau.</p> <p>Vérifier que le connecteur est correctement inséré. (voir Fig. 10).</p>
L'effet de flamme est trop bas.	<p>Le bouton de réglage de l'effet flamme est réglé trop bas.</p> <p>Le disque du transducteur est peut-être sale</p> <p>Le câble de l'unité du transducteur est placé sur le disque</p>	<p>Augmenter la hauteur de la flamme en appuyant sur <input checked="" type="checkbox"/> la télécommande ou le récepteur</p> <p>Nettoyer le disque avec une brosse souple. Consulter le chapitre « Entretien » pour voir la procédure étape par étape.</p> <p>Diriger le câble vers l'arrière du bac et s'assurer qu'il est placé à l'intérieur de la fente latérale sortant du bac.</p>
Une mauvaise odeur se dégage lors de l'utilisation de l'appareil.	<p>Eau sale ou stagnante.</p> <p>Utilisation d'eau non filtrée.</p>	<p>Nettoyer l'appareil comme décrit dans la partie concernant l'entretien.</p> <p>Utiliser uniquement de l'eau du robinet filtrée.</p>
L'effet flamme produit trop de fumée.	L'effet flamme est réglé trop fort.	Diminuez l'effet flamme. Laissez au générateur de flammes le temps de se régler avant d'effectuer un nouveau réglage.



MODEL	DIM 'A'
CAS500	508mm
CAS1000	1017mm

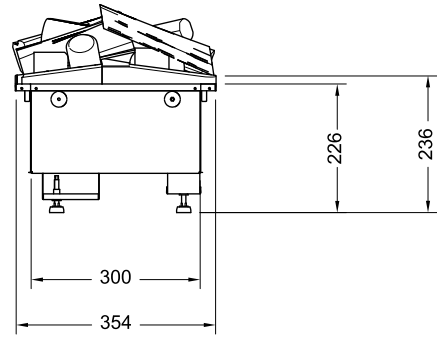


Fig.1

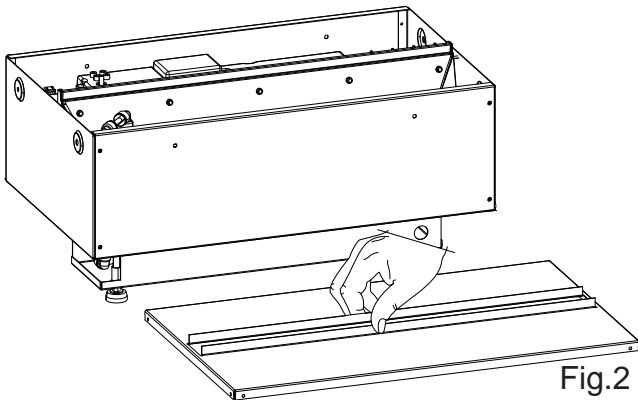


Fig.2

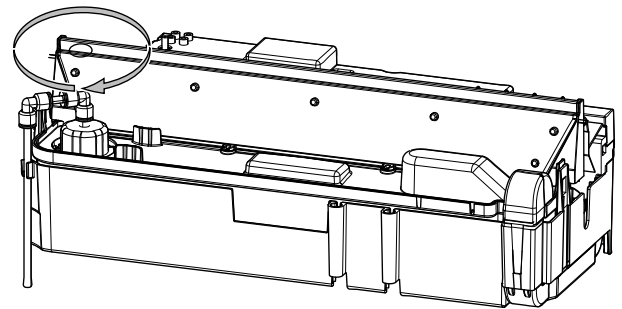


Fig.3a

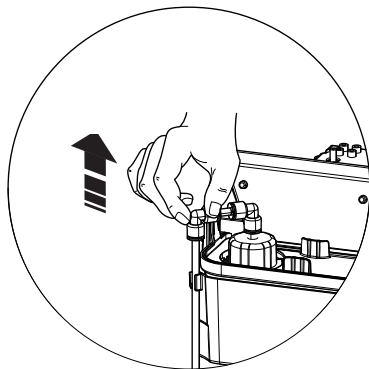


Fig.3b

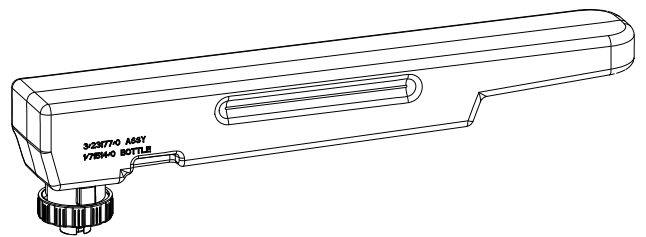


Fig.3c

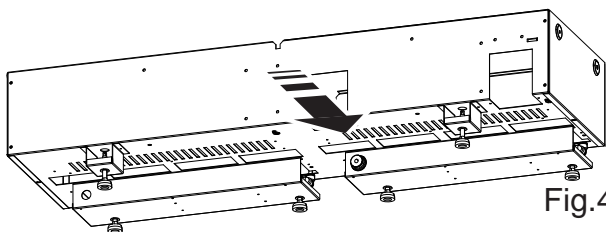


Fig.4

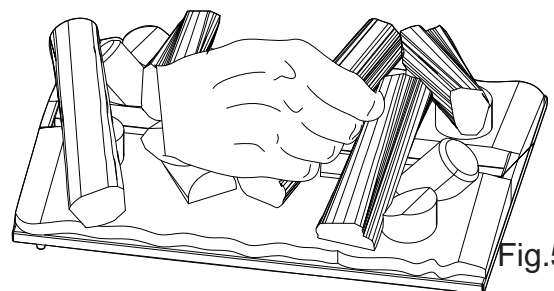


Fig.5

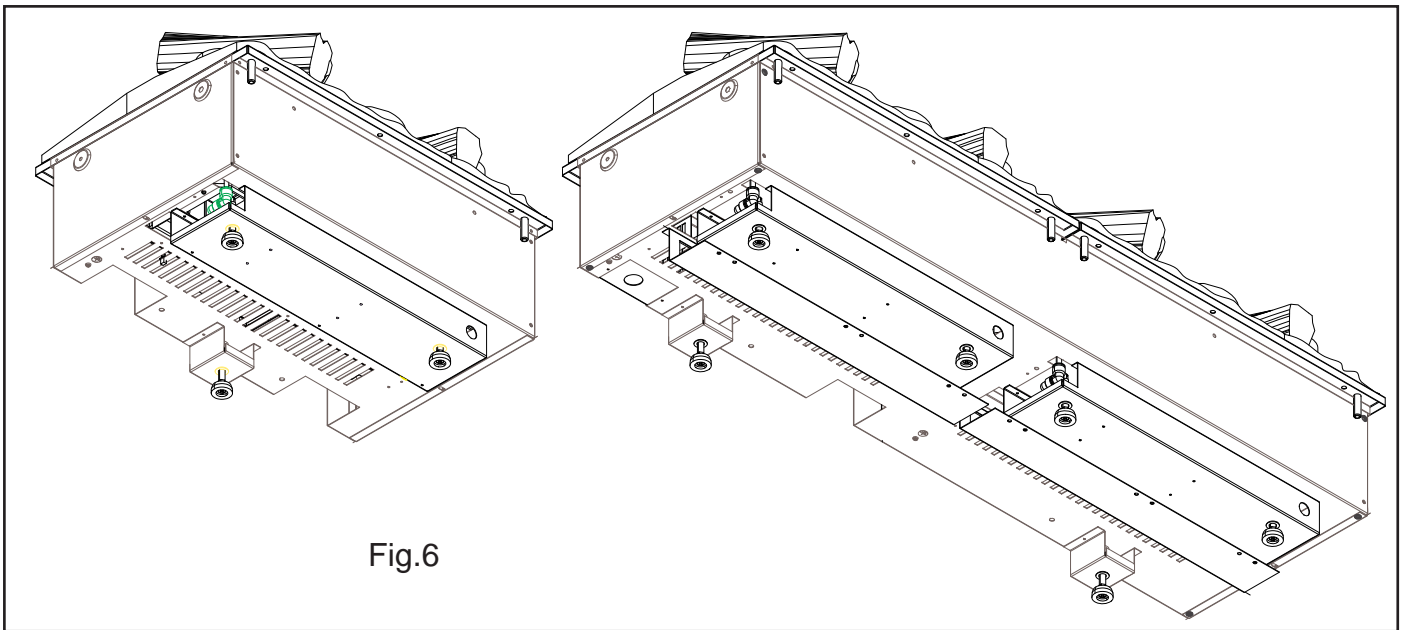


Fig.6

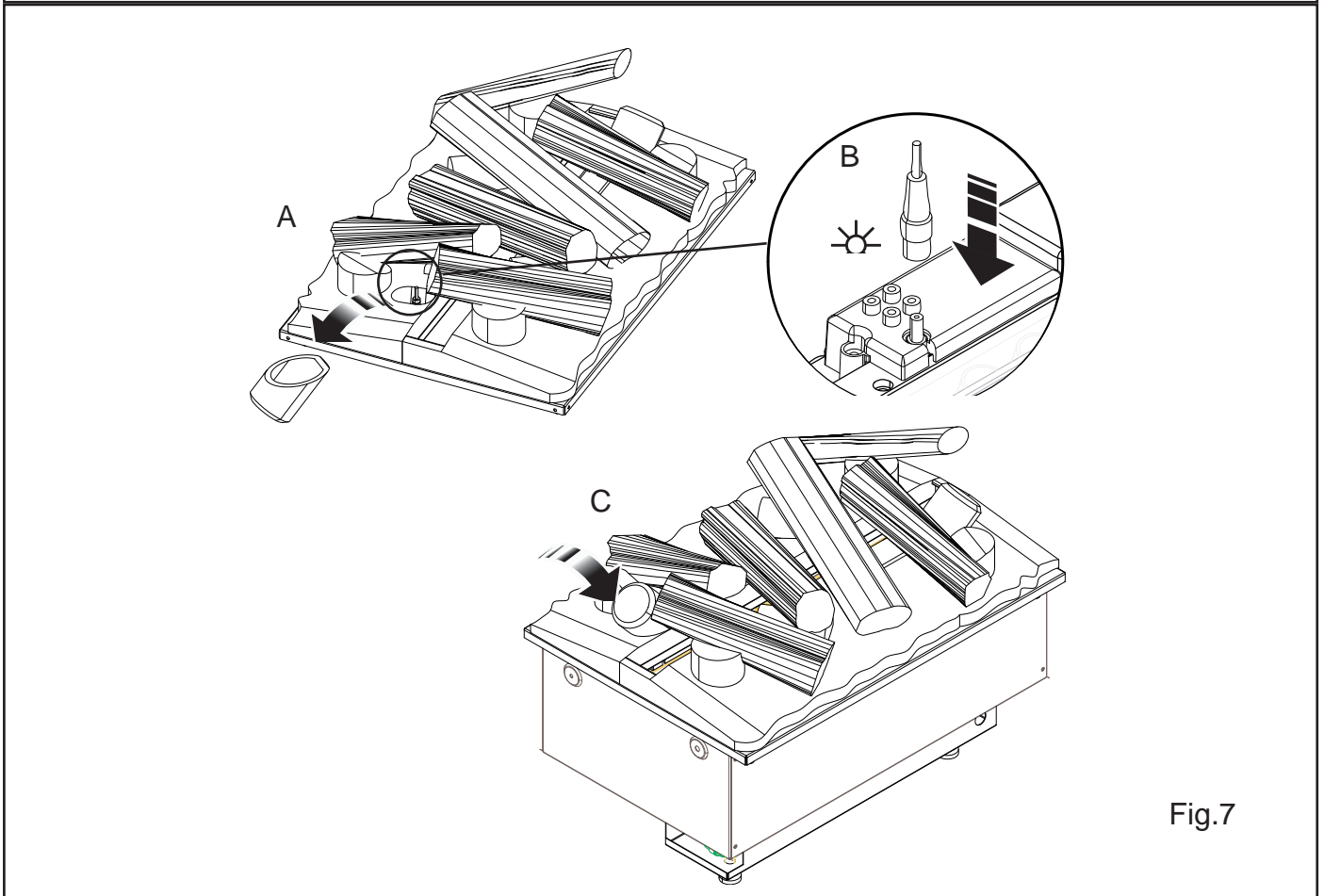


Fig.7

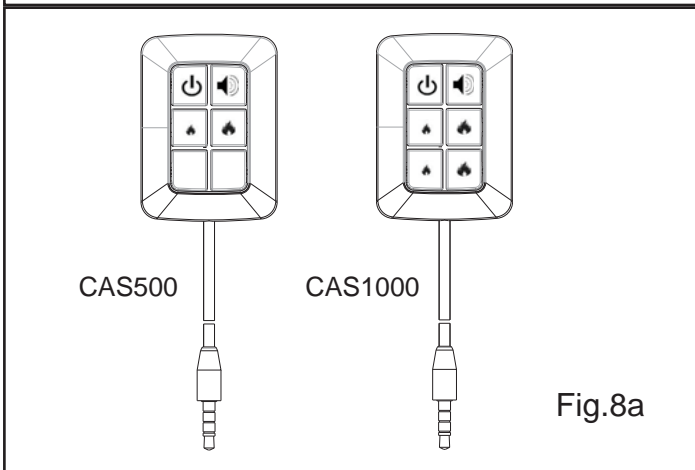


Fig.8a

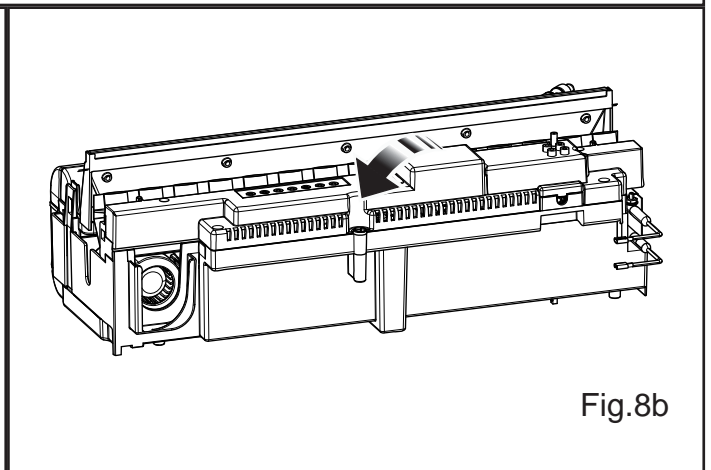
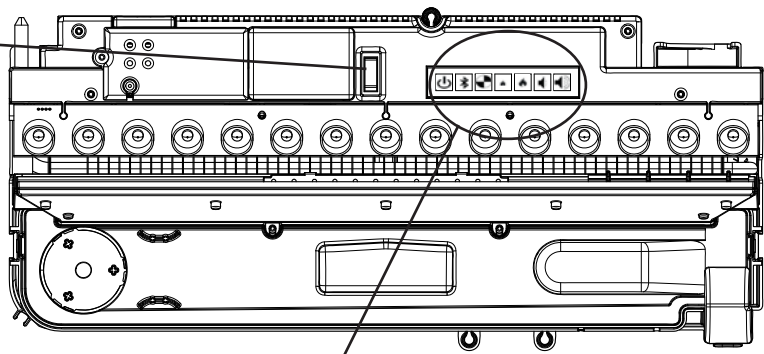
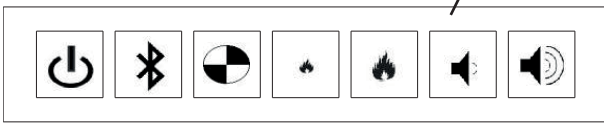


Fig.8b

Switch 'A'



CAS500



CAS1000

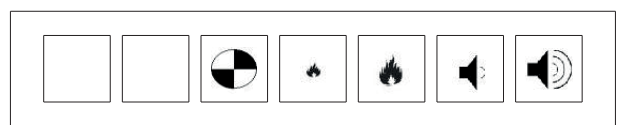
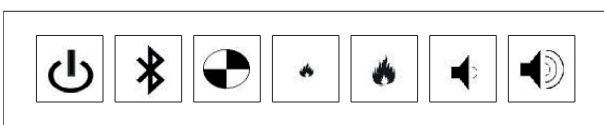


Fig.9

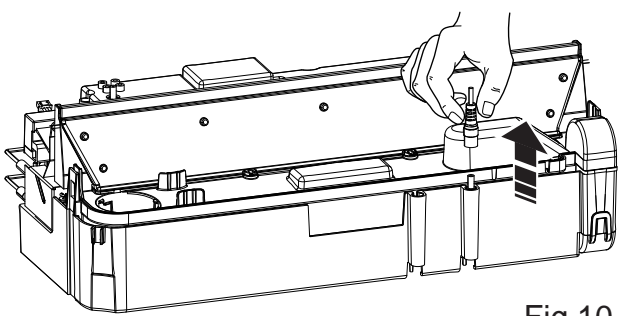


Fig.10

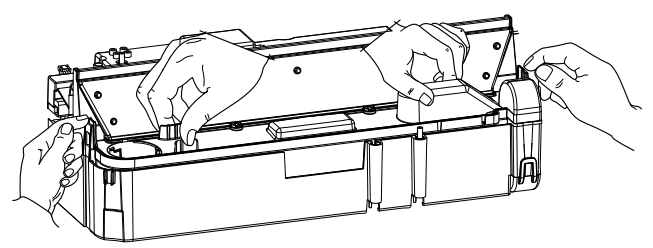


Fig.11

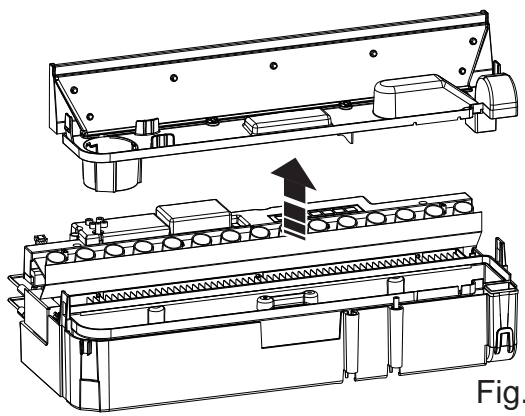


Fig.12

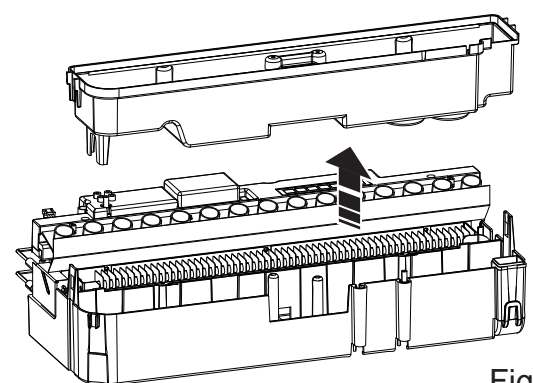


Fig.13

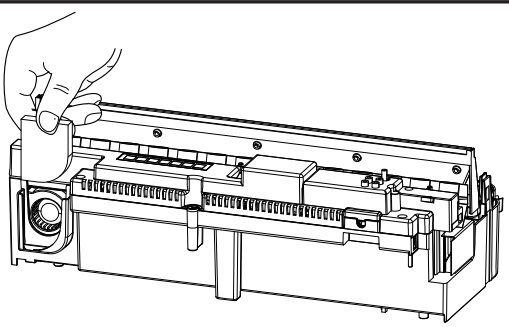
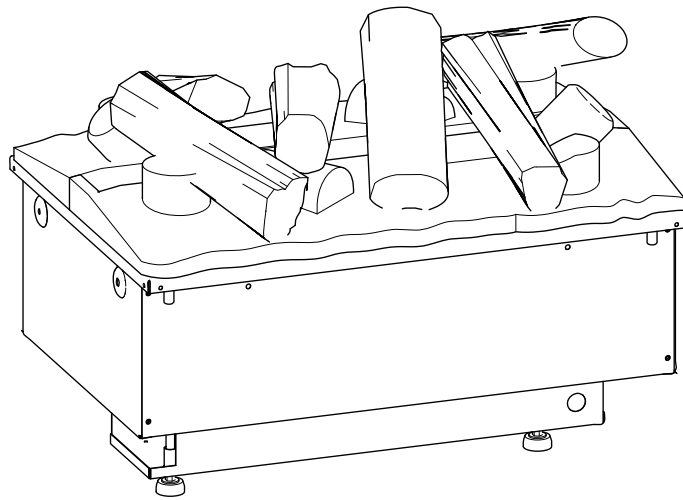
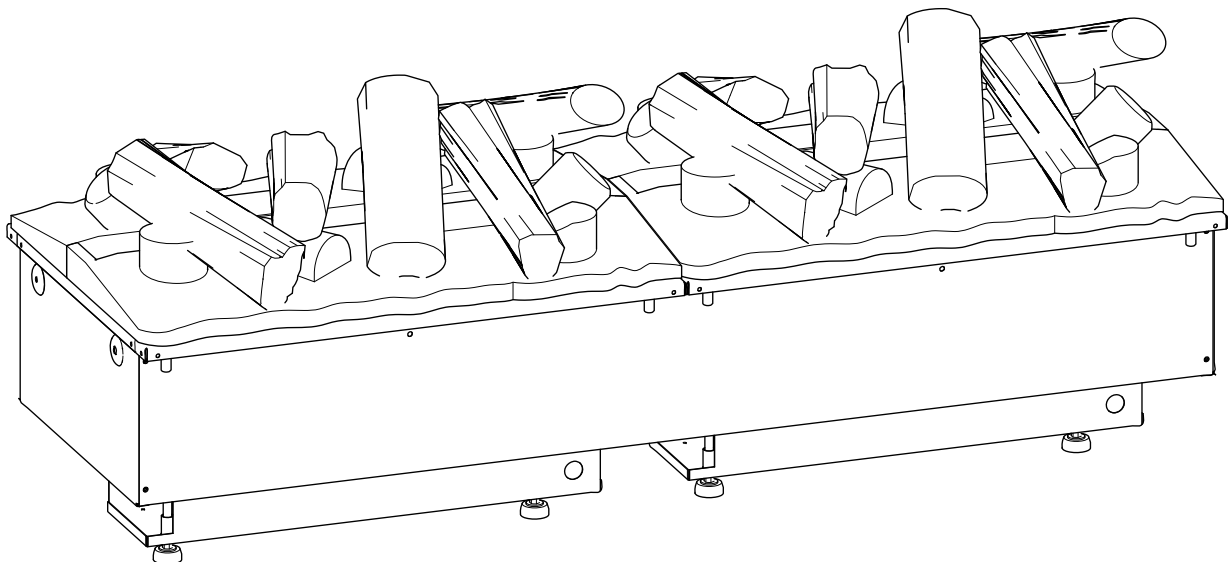


Fig.14

Dimplex



CAS500



CAS1000

Dimplex CAS500, CAS1000

Wstęp

Należy przeczytać uważnie tę instrukcję, aby w bezpieczny sposób zainstalować, używać i konserwować niniejszy produkt.

Ważne zalecenia dotyczące bezpieczeństwa

Podczas użytkowania urządzeń elektrycznych należy zawsze postępować zgodnie z wymienionymi poniżej podstawowymi zasadami bezpieczeństwa, aby uniknąć ryzyka pożaru, porażenia prądem elektrycznym lub powstania obrażeń ciała:

Jeśli urządzenie jest uszkodzone, przed przystąpieniem do jego instalacji i eksploatacji należy skontaktować się z dostawcą.

Nie należy używać urządzenia na wolnym powietrzu.

Nie wolno używać urządzenia w bezpośrednim sąsiedztwie wanny, prysznica ani basenu.

Nie wolno ustawiać urządzenia bezpośrednio pod zamontowanym na stałe gniazdkiem elektrycznym ani skrzynką rozdzielczą.

Urządzenie mogą obsługiwać dzieci po ukończeniu 8 roku życia oraz osoby o ograniczonych zdolnościach fizycznych, sensorycznych lub umysłowych, a także nieposiadające wiedzy lub doświadczenia, jeśli będą one nadzorowane lub zostaną poinstruowane w zakresie bezpiecznego korzystania z tego urządzenia i będą świadome związanych z tym zagrożeń. Dzieci nie mogą bawić się urządzeniem. Czyszczenie oraz konserwacja urządzenia nie mogą być wykonywane przez dzieci bez nadzoru.

Dzieci poniżej 3 lat nie mogą znajdować się w pobliżu urządzenia, jeśli nie znajdują się pod stałą opieką dorosłych.

Dzieci w wieku od 3 do 8 lat mogą włączać lub wyłączać prawidłowo zainstalowane urządzenie tylko wtedy, jeśli znajdują się pod opieką lub zostaną poinstruowane w zakresie bezpiecznego korzystania z urządzenia oraz będą świadome związanych z tym zagrożeń. Dzieci w wieku od 3 do 8 lat nie powinny wkładać wtyczki urządzenia do gniazdka elektrycznego ani dokonywać jego regulacji, czyszczenia czy konserwacji.

PRZESTROGA: Niektóre części tego produktu mogą się mocno nagrzewać i mogą powodować oparzenia ciała. Należy zwrócić na to szczególną uwagę w obszarach, w których znajdują się dzieci lub inne osoby nieświadome zagrożenia.

Nie wolno używać urządzenia z szeregowo podłączonym regulatorem temperatury, regulatorem programowym, wyłącznikiem czasowym ani żadnym innym urządzeniem automatycznie włączającym grzanie, ponieważ przypadkowe przykrycie urządzenia lub przesunięcie go będzie wiązać się z zagrożeniem pożarowym.

Należy upewnić się, że meble, zasłony oraz wszelkie inne łatwopalne przedmioty znajdują się w odległości co najmniej 1 metra od urządzenia.

W przypadku awarii należy wyciągnąć z gniazdka wtyczkę przewodu zasilającego.

Jeżeli urządzenie nie jest używane przez dłuższy czas, należy wyciągnąć z gniazdka wtyczkę przewodu zasilającego.


Urządzenie spełnia odpowiednie standardy bezpieczeństwa; nie zaleca się jednak stawiania go na dywanach lub wykładzinach o długim włosiu..

Urządzenie należy ustawić w taki sposób, aby zapewnić łatwy dostęp do wtyczki przewodu zasilającego.

W przypadku uszkodzenia przewodu zasilającego ze względów bezpieczeństwa musi on zostać wymieniony przez producenta, serwisanta lub osobę o podobnych kwalifikacjach.

Przewód zasilający należy poprowadzić z dala od urządzenia.

OSTRZEŻENIE: Aby uniknięcia przegrzania, nie wolno przykrywać urządzenia. Na urządzeniu nie wolno kłaść żadnych materiałów i odzieży ani blokować przepływu powietrza wokół niego.

Na urządzeniu znajduje się etykieta ostrzegawcza „DO NOT COVER” (NIE ZAKRYWAĆ).  Urządzenie nie jest wyposażone w układ służący do kontrolowania temperatury w pomieszczeniu. Nie należy używać urządzenia w małych pomieszczeniach, gdy znajdują się w nich osoby niezdolne do ich samodzielnego opuszczenia, chyba że są one pod stałą opieką innej osoby.

Informacje ogólne

W tym urządzeniu można stosować wyłącznie przefiltrowaną wodę.

Urządzenie należy ostrożnie rozpakować i zachować opakowanie do przyszłego użycia – na wypadek przewożenia lub zwrotu do dostawcy.

Zawsze należy upewnić się, że urządzenie znajduje się na równej powierzchni.

Urządzenie działa w trybie efektu samego efektu płomienia.

Urządzenie jest przeznaczone do montażu w obiektach lub w ścianie.

Przed podłączeniem urządzenia należy sprawdzić, czy napięcie zasilania jest takie samo, jak podane na tabliczce znamionowej urządzenia.

Uwaga: w przypadku używania grzejnika w miejscu o bardzo niskim poziomie hałasu może być słyszalny dźwięk związany z działaniem efektu płomienia. Jest to normalne zjawisko i nie powinno budzić niepokoju.

Po zainstalowaniu nie wolno przenosić ani kłaść tego urządzenia na tylnej ścianie bez wcześniejszego spuszczenia wody ze zbiornika odpływowego oraz zasobnika wody.

Zasobnik wody, zbiornik odpływowy, pokrywa zbiornika, korek zbiornika oraz filtry powietrza muszą być czyszczone co dwa tygodnie, szczególnie w przypadku używania twardej wody.

Jeśli urządzenie nie będzie używane przez dłużej niż 2 tygodnie, należy spuścić wodę ze zbiornika odpływowego i zasobnika wody oraz wysuszyć zbiornik odpływowy.

Zbiornik odpływowy oraz zasobnik wody stosowane w niniejszym urządzeniu są pokryte biocydami w postaci srebra. Takie rozwiązanie jest zgodne z najnowszą obowiązującą normą ISO.

Zabrania się spożywania wody ze zbiornika odpływowego oraz zasobnika wody.

Urządzenie powinno być na stałe podłączone do instalacji wodnej; nie należy go podłączać za pomocą układu węży elastycznych.

Instrukcja montażu

W tej części opisano, w jaki sposób zamontować kominek.

PRZED ROZPOCZĘCIEM

1. Należy upewnić się, że wszystkie elementy opakowania zostały zdjęte (należy uważnie zapoznać się z wszystkimi etykietami ostrzegawczymi); zachować je do wykorzystania w przyszłości.
2. Przed podłączeniem urządzenia należy sprawdzić, czy napięcie zasilania jest takie samo, jak podane na tabliczce znamionowej urządzenia.
3. Zawsze należy upewnić się, że urządzenie znajduje się na równej powierzchni.
4. Unieść górną płytę metalową, aby uzyskać dostęp do urządzenia. Zachować płytę górną wraz z opakowaniem do wykorzystania w przyszłości. (Rys. 2)

Instrukcje montażu

Niniejszy produkt można instalować w ścianie, konstrukcji nośnej lub podobnych obiektach. Należy uwzględnić wymiary urządzenia podane na rysunku 1 i odpowiednio przygotować ścianę, konstrukcję nośną lub obiekt. Należy pozostawić około minimalnie 400 mm od podstawy paleniska oraz od każdej półki/zabudowy nad urządzeniem. Zapewni to wystarczającą przestrzeń nad urządzeniem potrzebną do kompletnego tworzenia się płomieni, które nie będą niczym zasłaniane.

Aby zapewnić prawidłowe działanie urządzenia, należy zapewnić mu swobodną wentylację od spodu. Swobodna wentylacja wspomaga chłodzenie elementów elektronicznych, umożliwia odprowadzanie mgły ze zbiornika odpływowego i pozwala bezproblemowo wyciągać produkt.

OBSZAR PRZEZNACZONY NA SWOBODNĄ WENTYLACJĘ W PRZYPADKU MODELU CAS500 POWINIEN MIEĆ ROZMIAR CO NAJMNIEJ 210 CM².

OBSZAR PRZEZNACZONY NA SWOBODNĄ WENTYLACJĘ W PRZYPADKU MODELU CAS1000 POWINIEN MIEĆ ROZMIAR CO NAJMNIEJ 420 CM².

Przygotowanie konstrukcji otoczenia

Modele CAS500 i CAS1000 są przeznaczone do montażu w ścianie/konstrukcji nośnej. Korzystając z wymiarów podanych na rysunku 1, należy zaprojektować wnękę na urządzenie. Należy pozostawić miejsce pod oraz wokół urządzenia na podłączenie do instalacji wodnej i elektrycznej. Po przygotowaniu konstrukcji/ściany można zamontować urządzenie. Dopasować palenisko LED i sprawdzić, czy urządzenie jest wycentrowane – zob. część „Montaż paleniska LED”. Po ustawieniu w odpowiednim położeniu podnieść palenisko i za pomocą śrub dostosowanych do konstrukcji/ściany przykręcić palenisko, korzystając z otworów na panelach lewym i prawym.

Doprowadzanie wody

Urządzenie może pracować, korzystając z dostarczonych zasobników wody lub po podłączeniu do sieci wodociągowej.

Zasobnik (zasobniki) wody: Odkręcić korek napełniający ze zbiornika odpływowego (rys. 3a i rys. 3b). Umieścić zasobnik (zasobniki) wody (rys. 3C) w zlewku i wyciągnąć korek (obrócić przeciwnie do ruchu wskazówek zegara). Napełniać zasobnik **wyłącznie przefiltrowaną wodą kranową**. Dzięki temu moduł generujący płomień i dym będzie działał niezawodnie przez dłuższy czas. Wodę należy przefiltrować za pomocą typowego domowego filtra do wody. Filtr należy regularnie wymieniać. **Nie wolno używać wody destylowanej.**

Woda wodociągowa: Jeśli do urządzenia ma być doprowadzana woda wodociągowa, należy przechowywać butelkę (butelki) z metalową płytą górną oraz opakowaniem. Można skorzystać z zaworu nakłuwającego (w zestawie) w celu podłączenia do sieci wodociągowej. W tym celu należy:

1. Przymocować zawór nakłuwający na rurze wodociągowej; maks. rozmiar rury: 1/2" (12,7 mm).
2. Podłączyć rurę PCW 1/4" (6,35 mm) (brak w zestawie) od zaworu nakłuwającego do dostarczonego filtra wody, a następnie do urządzenia (rys. 4).
3. Obrócić kurek za zaworze zgodnie z ruchem wskazówek zegara, aby wykonać otwór w rurze wodociągowej. Przekręcić kurek przeciwnie do ruchu wskazówek zegara, aby umożliwić przepływ wody przez zawór. Dopływ wody do urządzenia można odciąć, przekręcając kurek zgodnie z ruchem wskazówek zegara aż do zatrzymania przepływu.

4. Obrócić wewnętrzny zawór kulowy. Zawór ten znajduje się pod zbiornikiem odpływowym. Zdemontować zbiornik odpływowy zgodnie z opisem w punkcie „Czyszczenie” w części „Konserwacja”.

Uwaga: ciśnienie wody powinno mieścić się w zakresie od 8 barów (800 kPa) do 0,5 bara (50 kPa).

W razie problemów z wykonaniem podłączenia należy poprosić o pomoc wykwalifikowanego hydraulika, aby zapewnić bezpieczny montaż.

Połączenia elektryczne

Podłączyć kominiek do gniazda elektrycznego 13 A/240 V. Należy zapewnić dostęp do wtyczki po montażu, aby umożliwić jej odłączenie. Upewnić się, że kabel zasilający znajduje się z tyłu kominka, po prawej lub lewej stronie, tak aby miał swobodny dostęp do gniazda elektrycznego. Sprawdzić, czy nie został przygnieciony pod kominkiem, co mogłoby spowodować jego uszkodzenie. Jeśli do jednego gniazdka elektrycznego podłączanych będzie kilka urządzeń, nie wolno przekraczać liczby 5 urządzeń. W przypadku większej liczby urządzeń należy je podłączyć do odrębnego obwodu.

Urządzenie można podłączyć do stałej instalacji w budynku, korzystając z odpowiedniej skrzynki przyłączeniowej znajdującej się w pobliżu urządzenia. Taka instalacja elektryczna powinna być wykonana przez uprawnionego elektryka i być zgodna z aktualnymi przepisami organizacji IEE dotyczącymi wyposażenia elektrycznego budynków.

Elektryk może odłączyć dostarczoną wtyczkę w następujący sposób:

1. Podnieść palenisko i ustawić przełącznik „A” w pozycji wyłączenia (rys. 9).
2. Upewnić się, że urządzenie jest odłączone od zasilania.
3. Podnieść pokrywę dostępową, odkręcając najpierw śrubę ustalającą (rys. 15).
4. Odkręcić i odłączyć przewody fazowy, neutralny i uziemiający.
5. Odkręcić zacisk kablowy (rys. 16 A) i odłączyć kabel zasilający.

Elektryk może następnie podłączyć przewód urządzenia (wykonując powyższe kroki w odwrotnej kolejności) do skrzynki przyłączeniowej. Należy się przy tym upewnić, że skrzynka jest wyposażona w dwubiegunowy rozłącznik o separacji styków na poziomie co najmniej 3 mm. Kolor brązowy – przewód fazowy (L), kolor niebieski – przewód neutralny (N) oraz przewód zielony/żółty – uziemienie (E).

Montaż paleniska LED

Niniejszy produkt jest wyposażony w „metalowe palenisko”. Przed zamontowaniem paleniska LED należy unieść palenisko metalowe i odłożyć je na bok (rys. 2). Można je zachować do wykorzystania w przyszłości. Ostrożnie wyciągnąć palenisko LED z opakowania.

PRZESTROGA: Palenisko należy wyciągać jedynie za dwa centralne polana (rys. 5). Polana te są najbardziej wytrzymałe. Umieścić palenisko na górnej części urządzenia; pod paleniskiem znajdują się 4 prowadnice z tworzywa sztucznego, które ułatwiają jego lokalizację (rys. 6). Palenisko można ustawić od przodu do tyłu lub od tyłu do przodu, zależnie od preferencji użytkownika. Po ustawieniu na miejscu należy podnieść małe, luźne polano utrzymywane w położeniu za pomocą magnesów. Pod tym polanem znajduje się wtyk przewodu DC oraz otwór wykonany w palenisku. Wtyk ten należy podłączyć do odpowiedniego gniazda DC w produkcie, prowadząc złącze przez otwór w palenisku (rys. 7). Urządzenie zostanie zmontowane i będzie gotowe do włączenia.

Wraz z paleniskiem dostarczane jest także luźne polano niewykonane w technologii LED. W modelu CAS500 można je ułożyć na szczycie paleniska lub odłożyć i przechowywać wraz z opakowaniem. W przypadku modelu CAS1000 luźne polano można położyć na środkowym połączeniu między dwoma paleniskami.

Podłączanie odbiornika

Odbiornik (4-przyciskowy w przypadku modelu CAS500 oraz 6-przyciskowy w przypadku modelu CAS1000) należy po zdemontowaniu paleniska podłączyć za pomocą wtyku jack 3,5 mm do gniazda w tylnej części urządzenia (rys. 8). Odbiornik jest wyposażony w kabel o długości 1,4 m, który pozwala na umieszczenie odbiornika w sąsiedztwie urządzenia. Jeśli odbiornik ma być ukryty, można go umieścić w konstrukcji nośnej/ścianie. Należy pamiętać, aby nie zamykać odbiornika wewnątrz obudowy metalowej, betonowej lub wykonanej z innego gęstego materiału, który będzie zakłócać sygnały wysyłane z pilota zdanego sterowania.

Obsługa urządzenia

W części tej opisano, jak uruchomić kominiek za funkcji pomocą sterowania ręcznego lub zdalnego.

PRZEŁĄCZNIKI RĘCZNE






Przełączniki ręczne znajdują się pod paleniskiem. Zob. rys. 5

CAS500

Przełącznik główny „A”: steruje dopływem zasilania elektrycznego do urządzenia.

Uwaga: Przełącznik musi znajdować się na pozycji „ON” (włączenie) (I), aby możliwa była obsługa urządzenia

Panel przycisków „A”: steruje działaniem urządzenia

-  to przycisk włączania/stanu czuwania. Służy do włączania i wyłączania efektu płomienia. Włączenie zostanie zasygnalizowane aktywacją kontrolki głównych. Kontrolki główne włączają się natychmiast, natomiast efekt płomienia zostanie uruchomiony po kolejnych 45 sekundach.
-  to przycisk BlueTooth. Służy on do parowania pilota z odbiornikiem. Szczegółowe informacje znajdują się w części „Zdalne sterowanie”.
-  to przycisk trybu testowego. Przycisk ten może być stosowany przez personel producenta oraz techników serwisowych.
-  to przycisk redukcji płomienia. Służy do redukcji wysokości/intensywności płomienia. Po osiągnięciu poziomu minimalnego wygenerowany zostanie sygnał dźwiękowy.
-  to przycisk zwiększania płomienia. Służy do zwiększania wysokości/intensywności płomienia. Po osiągnięciu poziomu maksymalnego wygenerowany zostanie sygnał dźwiękowy.

- to przycisk redukcji głośności dźwięków skwierczenia generowanych przez kominek. Należy go nacisnąć, aby zredukować głośność dźwięków skwierczenia. Poziom minimalny oznacza wyłączenie dźwięków.
- to przycisk zwiększania głośności dźwięków skwierczenia generowanych przez kominek. Należy go nacisnąć, aby zwiększyć głośność dźwięków skwierczenia.

CAS1000

Przełącznik główny „A”: steruje dopływem zasilania elektrycznego do urządzenia.

Uwaga: Przełącznik musi znajdować się na pozycji „ON” (włączenie) (I), aby możliwa była obsługa urządzenia

Panel przycisków „A”: steruje działaniem lewej strony urządzenia

- to przycisk włączania/stanu czuwania. Służy do włączania i wyłączania efektu płomienia. Włączenie zostanie zasygnalizowane aktywacją kontrolki głównej. Kontrolki główne włączają się natychmiast, natomiast efekt płomienia zostanie uruchomiony po kolejnych 45 sekundach.
- to przycisk BlueTooth. Służy on do parowania pilota z odbiornikiem. Szczegółowe informacje znajdują się w części „Zdalne sterowanie”.
- to przycisk trybu testowego. Przycisk ten może być stosowany przez personel producenta oraz techników serwisowych.
- to przycisk redukcji płomienia. Służy do redukcji wysokości/intensywności płomienia. Po osiągnięciu poziomu minimalnego wygenerowany zostanie sygnał dźwiękowy.
- to przycisk zwiększania płomienia. Służy do zwiększania wysokości/intensywności płomienia. Po osiągnięciu poziomu maksymalnego wygenerowany zostanie sygnał dźwiękowy.
- to przycisk redukcji głośności dźwięków skwierczenia generowanych przez kominek. Należy go nacisnąć, aby zredukować głośność dźwięków skwierczenia. Poziom minimalny oznacza wyłączenie dźwięków.
- to przycisk zwiększania głośności dźwięków skwierczenia generowanych przez kominek. Należy go nacisnąć, aby zwiększyć głośność dźwięków skwierczenia.

Panel przycisków „B”: steruje działaniem lewej strony urządzenia

- to przycisk trybu testowego. Przycisk ten może być stosowany przez personel producenta oraz techników serwisowych.
- to przycisk redukcji płomienia. Służy do redukcji wysokości/intensywności płomienia. Po osiągnięciu poziomu minimalnego wygenerowany zostanie sygnał dźwiękowy.
- to przycisk zwiększania płomienia. Służy do zwiększania wysokości/intensywności płomienia. Po osiągnięciu poziomu maksymalnego wygenerowany zostanie sygnał dźwiękowy.
- to przycisk redukcji głośności dźwięków skwierczenia generowanych przez kominek. Należy go nacisnąć, aby zredukować głośność dźwięków skwierczenia. Poziom minimalny oznacza wyłączenie dźwięków.
- to przycisk zwiększania głośności dźwięków skwierczenia generowanych przez kominek. Należy go nacisnąć, aby zwiększyć głośność dźwięków skwierczenia.

UZYSKIWANIE ZAMIERZONEGO EFEKTU PŁOMIENIA

1. Włączyć urządzenie, ustawiając przełącznik główny w pozycji włączenia oraz naciskając przycisk włączania/stanu czuwania. Po 45 sekundach pojawią się płomienie. Przez 5 sekund płomienie będą mieć maksymalną wysokość, a następnie powrócą do nominalnego poziomu.
2. Nacisnąć przyciski oraz w celu stawienia żądanego poziomu płomienia. Należy odczekać chwilę, aby generator płomieni wprowadził wykonane zmiany.
3. Nie wolno przechylać ani podnosić urządzenia, gdy w zbiorniku odpływowym znajduje się woda.
4. Upewnić się, że urządzenie znajduje się na równej powierzchni.

Po ustawieniu wysokości płomienia oraz dźwięku skwierczenia urządzenie będzie przechowywać te ustawienia nawet po wyłączeniu kominka za pomocą przycisku włączania/trybu czuwania lub przełącznika głównego. Po następnym włączeniu urządzenia zostanie one uruchomione w sposób standardowy, po 45 sekundach pojawią się płomienie, przez 5 sekundach wysokość będzie maksymalna, a następnie zostaną przywrócone skonfigurowane ustawienia.

ELEMENTY STERUJĄCE NA ODBIORNIKU BLUETOOTH





Na odbiorniku BlueTooth znajdują się elementy służące do sterowania ręcznego.

CAS500

- to przycisk włączania/stanu czuwania. Służy do włączania i wyłączania efektu płomienia.
- to przycisk dźwięku skwierczenia generowanego przez kominek. Za jego pomocą można włączać i wyłączać dźwięk skwierczenia. Głośność jest regulowana za pomocą przełączników ręcznych na urządzeniu.
- to przycisk redukcji płomienia. Służy do redukcji wysokości/intensywności płomienia. Po osiągnięciu poziomu minimalnego wygenerowany zostanie sygnał dźwiękowy.
- to przycisk zwiększania płomienia. Służy do zwiększania wysokości/intensywności płomienia. Po osiągnięciu poziomu maksymalnego wygenerowany zostanie sygnał dźwiękowy.



CAS1000

- to przycisk włączania/stanu czuwania. Służy do włączania i wyłączania efektu płomienia.
- to przycisk dźwięku skwierczenia generowanego przez kominek. Za jego pomocą można włączać i wyłączać dźwięk skwierczenia. Głośność jest regulowana za pomocą przełączników ręcznych na urządzeniu.

-  to przycisk redukcji płomienia dla lewej strony urządzenia. Służy do redukcji wysokości/intensywności płomienia. Po osiągnięciu poziomu minimalnego wygenerowany zostanie sygnał dźwiękowy.
-  to przycisk zwiększania płomienia dla lewej strony urządzenia. Służy do zwiększania wysokości/intensywności płomienia. Po osiągnięciu poziomu maksymalnego wygenerowany zostanie sygnał dźwiękowy.
-  to przycisk redukcji płomienia dla prawej strony urządzenia. Służy do redukcji wysokości/intensywności płomienia. Po osiągnięciu poziomu minimalnego wygenerowany zostanie sygnał dźwiękowy.
-  to przycisk zwiększania płomienia dla prawej strony urządzenia. Służy do zwiększania wysokości/intensywności płomienia. Po osiągnięciu poziomu maksymalnego wygenerowany zostanie sygnał dźwiękowy.

ZDALNE STEROWANIE BLUETOOTH

Pilot zdalnego sterowania jest dostarczany wraz z 2 bateriami AAA. Należy zdjąć pokrywę baterii w spodniej części pilota, wyciągnąć baterie z opakowania i umieścić je w odpowiednich miejscach. Załóż pokrywę baterii.

Pilot zdalnego sterowania wykorzystuje technologię Bluetooth i wymaga sparowania z odbiornikiem Bluetooth. W tym celu należy nacisnąć przycisk  na panelu przycisków „A”; zacznie wtedy migać kontrolka LED. Miganie oznacza, że urządzenie jest gotowe do połączenia z pilotem zdalnego sterowania. Nacisnąć przycisk  na pilocie zdalnego sterowania. Urządzenie zostanie wyłączone. W ten sposób pilot zostanie sparowany z urządzeniem.

Obsługa pilota zdalnego sterowania jest taka sama jak obsługa opisana w części „Elementy sterujące na odbiorniku”. Istnieje możliwość sparowania wielu produktów z jednym pilotem. W tym celu należy powtarzać powyższą operację parowania dla poszczególnych urządzeń.

Obsługa pilota zdalnego sterowania jest taka sama jak obsługa opisana w części „Elementy sterujące na odbiorniku Bluetooth”.

Konserwacja

OGÓLNE WSKAZÓWKI

W tym urządzeniu można stosować wyłącznie przefiltrowaną wodę kranową.

Zawsze należy upewnić się, że urządzenie znajduje się na równej powierzchni.

W przypadku nieużywania urządzenia przez okres dłuższy niż 2 tygodnie należy wyjąć i opróżnić zasobnik wody i zbiornik odpływowy.

Po zainstalowaniu nie wolno przenosić ani kłaść tego urządzenia na tylnej ścianie bez wcześniejszego spuszczenia wody ze zbiornika odpływowego oraz zasobnika wody.

CZYSZCZENIE

Ostrzeżenie – Ustawić przełącznik „A” w pozycji „OFF” (wyłączenie) (0) (rys. 10) i przed czyszczeniem kominka odłączyć go od zasilania.

Zaleca się czyszczenie następujących części co 2 tygodnie, szczególnie w przypadku używania twardej wody: zasobnik wody, zbiornik odpływowy, dysza, korek i uszczelka zasobnika, filtr powietrza.

Do czyszczenia należy używać łagodnego środka czyszczącego – nie wolno używać środków o właściwościach ściernych. Aby usunąć kurz i kłaczki z kratki wylotowej wentylatora grzejnika, od czasu do czasu należy oczyścić ją odkurzaczem z założoną końcówką w postaci miękkiej szczotki.

Zasobnik wody

1. Zdemontować zasobnik wody (zgodnie z wcześniejszym opisem), umieścić go w zlewie i wylać wodę.
2. Za pomocą dostarczonej szczotki delikatnie przetrzeć wewnętrzne powierzchnie korka, zwracając szczególną uwagę na gumowy pierścień w rowku zewnętrznym oraz centralne uszczelnienie gumowe.
3. Wlać niewielką ilość płynu do naczyń do zasobnika, przykręcić korek i mocno wstrząsnąć. Następnie płukać tak długo, aż zostaną wypłukane wszelkie pozostałości płynu do naczyń.
4. Napełnić wyłącznie przefiltrowaną wodą kranową i dokręcić korek (nie dokręcać za mocno).

Zbiornik odpływowy

1. Ustawić przełącznik „A” w pozycji (0) „OFF” (wyłączenie)
2. Delikatnie unieść palenisko i ostrożnie położyć na podłodze.
3. Zdemontować zasobnik wody, wysuwając go do góry.
4. Odłączyć złącze elektryczne znajdujące się po prawej stronie zbiornika odpływowego (rys. 5).
5. Zwolnić prawe zaczepty blokujące, obracając je o 90°. Pozwoli to całkowite wyciągnięcie zbiornika odpływowego (rys. 11).
6. Delikatnie unieść zbiornik, zwracając uwagę, aby utrzymać go poziomo i nie wylać wody. Umieścić zespół w zlewie.
7. Zwolnić lewe zaczepty blokujące, obracając je o 90°, a następnie wyciągnąć dyszę (rys. 3).
8. Wysunąć przetwornik i delikatnie przechylić (zob. rysunek), aby ciecz wylała się ze zbiornika odpływowego (rys. 13).
9. Wlać niewielką ilość płynu do naczyń do zbiornika i za pomocą dostarczonej szczotki delikatnie wyczyścić wszystkie powierzchnie zbiornika oraz przetwornik wraz z metalowymi płytkami znajdującymi się w górnej przestrzeni z rowkami (rys. 14).
10. Po wyczyszczeniu należy dokładnie przepłukać zbiornik odpływowy czystą wodą, aby usunąć wszelkie pozostałości płynu czyszczącego.
11. Wyczyścić dyszę szczotką i dokładnie wypłukać wodą (rys. 15).
12. Zmontować urządzenie, wykonując powyższe czynności w odwrotnej kolejności.

Przetwornik

Przetwornik jest elementem eksploatacyjnym, które należy co pewien czas wymieniać (zależnie od jego zużycia). Przetworniki zamienne można nabyć za pomocą strony internetowej <http://spares.dimplex.co.uk>. Przetwornik jest mocowany do zbiornika odpływowego za pomocą zacisku z tworzywa sztucznego. Procedura wymiany przetwornika

1. Wykonać kroki 1-5 punktu CZYSZCZENIE w części „Konserwacja”, aby uzyskać dostęp do przetwornika.
2. Wcisnąć zacisk i wyciągnąć przetwornik z uchwytu.
3. Wyciągnąć stożek, wykręcając go zgodnie z ruchem wskazówek zegara, a następnie umieścić w nowym przetworniku. Dokręcić stożek przeciwnie do ruchu wskazówek zegara aż do momentu zamocowania w położeniu.
4. W celu montażu wykonać kroki 1-5 w odwrotnej kolejności.

Filtr powietrza

1. Delikatnie unieść palenisko i ostrożnie położyć na podłodze.
2. Delikatnie wysunąć do góry filtr powietrza z plastikowego uchwytu (rys. 16).
3. Przepłukać delikatnie wodą w zlewie i przed zamontowaniem wytrzeć ręcznikiem papierowym.
4. Zamontować filtr, zwracając uwagę, aby wstępny czarny filtr był skierowany w stronę kominka.
5. Zamontować palenisko.

Dodatkowe informacje

OBSŁUGA POSPRZEDAŻOWA

Produkt jest objęty gwarancją w okresie jednego roku od daty zakupu. W tym okresie producent zobowiązuje się do bezpłatnej naprawy lub wymiany produktu (z wyjątkiem płytek przetwornika oraz zależnie od dostępności) pod warunkiem, że został on zamontowany i jest użytkowany zgodnie z niniejszą instrukcją. Prawa użytkownika zapewnione na mocy niniejszej gwarancji obowiązują niezależnie od praw ustawowych, które z kolei nie są naruszane przez niniejszą gwarancję.

RECYKLING



W przypadku produktów sprzedawanych na terenie Unii Europejskiej: nie należy wyrzucać zużytego urządzenia wraz z odpadami domowymi. Należy oddać je do utylizacji. Aby uzyskać informacje dotyczące recyklingu, należy się skontaktować z odpowiednimi władzami lub sprzedawcą.

PATENT/APLIKACJA PATENTOWA

Produkty linii Optymist są chronione jednym lub wieloma patentami i aplikacjami patentowymi:

Wielka Brytania GB2460259B, GB2475794B, GB2418014, EP2029941, GB2436212, GB2402206B

USA US8413358, US8136276, US7967690, US8574086

Rosja RU2434181

Europa EP2029941, EP2315976, EP1787063 (A1), EP2388527, EP2029941,

Chiny CN101883953A, CN102105746A, CN101057105 (A), CN101438104

Australia AU2009248743A1, AU2007224634

Kanada CA2725214, CA2579444, CA2645939

RPA ZA2008/08702

Meksyk MX2008011712

Korea Południowa KR101364191


Japonia JP5281417, JP5496291

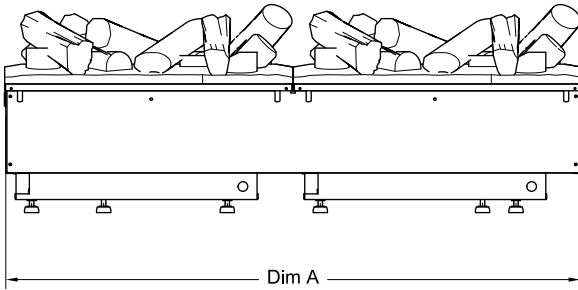
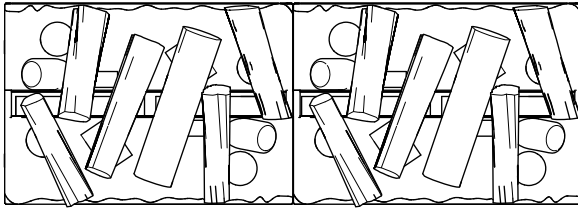
Brazylia BRP10708894

Indie 4122/KOLNP/2008

Nowa Zelandia NZ571900

Rozwiązywanie problemów

Objaw	Przyczyna	Środki zaradcze
Nie uruchamia się efekt płomienia.	Niepodłączona wtyczka przewodu zasilającego. Niski poziom wody. Nieprawidłowo podłączona złączka niskonapięciowa. (zob. rys. 10)	Sprawdzić, czy wtyczka jest prawidłowo podłączona do gniazda elektrycznego. Sprawdzić, czy zasobnik wody jest napełniony i czy w zbiorniku odpływowym znajduje się woda. Sprawdzić, czy złączka jest prawidłowo włożona. (zob. rys. 10)
Zbyt słaby efekt płomienia.	Za niskie ustawienie za pomocą pokrętła sterowania efektem płomienia Płytką w przetworniku może być zabrudzona. Drut z modułu przetwornika znajduje się nad płytką	Zwiększyć poziom płomienia, naciskając przycisk  na pilocie lub odbiorniku Wyczyść płytkę za pomocą miękkiej szczotki. Procedurę krok po kroku można znaleźć w punkcie „Konserwacja”. Skierować drut do tyłu zbiornika odpływowego, zwracając uwagę, aby znajdował się na bocznym otworze wychodzącym ze zbiornika.
Nieprzyjemny zapach podczas używania urządzenia.	Bрудna lub stęchła woda. Stosowanie nieprzefiltrowanej wody kranowej.	Wyczyścić urządzenie zgodnie z opisem w punkcie „Konserwacja”. Stosować wyłącznie przefiltrowaną wodę kranową.
Efekt płomienia ma za dużo dymu.	Za wysokie ustawienie efektu płomienia.	Zmniejszyć efekt płomienia. Odczekać chwilę, aby generator płomienia wprowadził nowe ustawienie.



MODEL	DIM 'A'
CAS500	508mm
CAS1000	1017mm

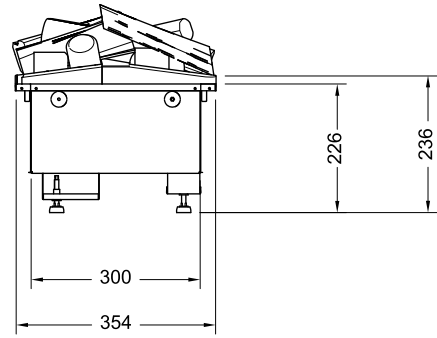


Fig.1

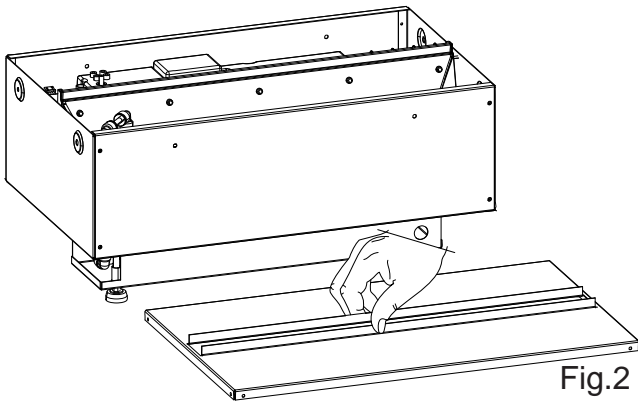


Fig.2

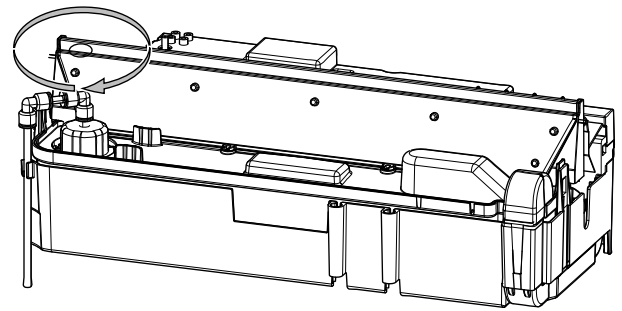


Fig.3a

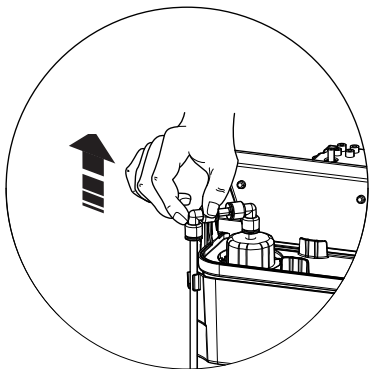


Fig.3b

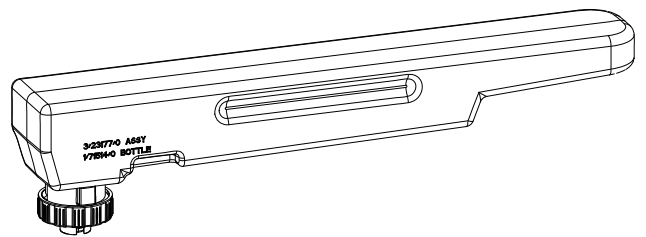


Fig.3c

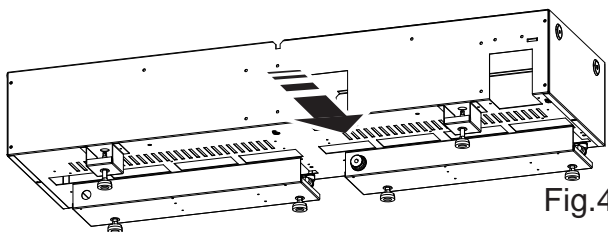


Fig.4

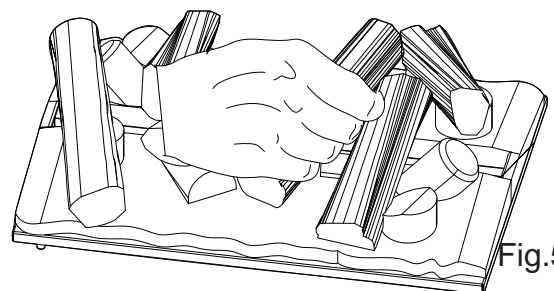


Fig.5

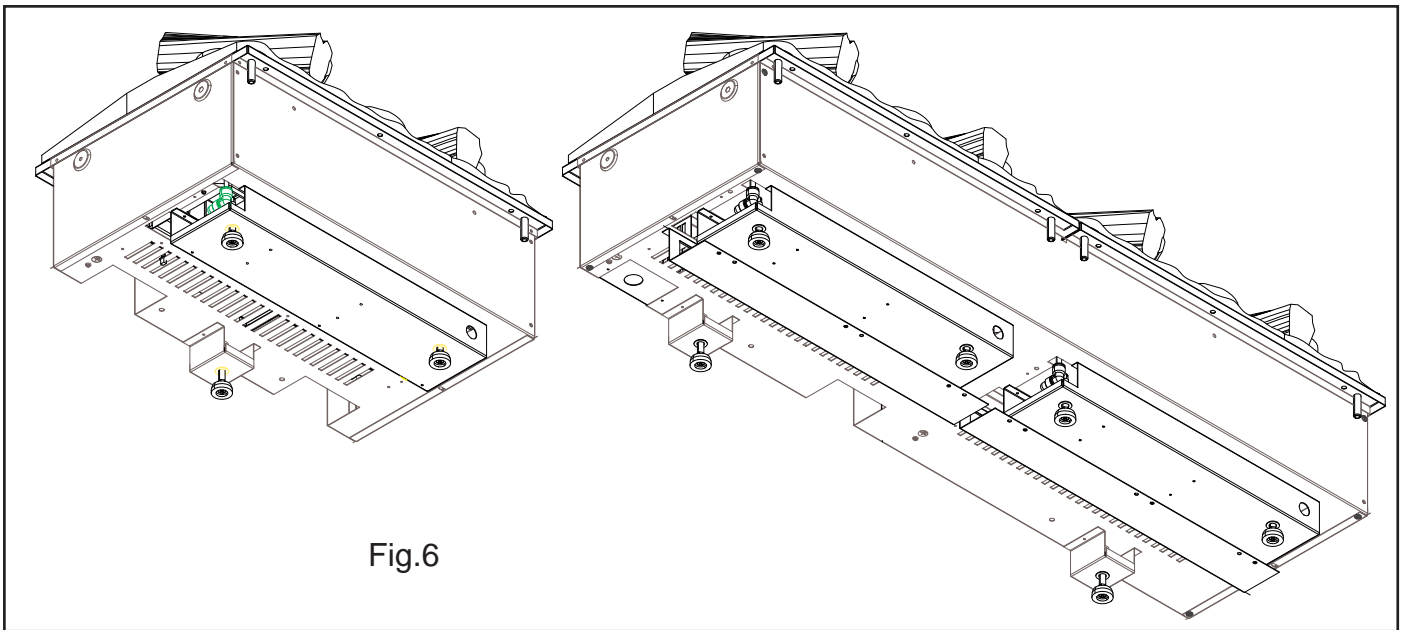


Fig.6

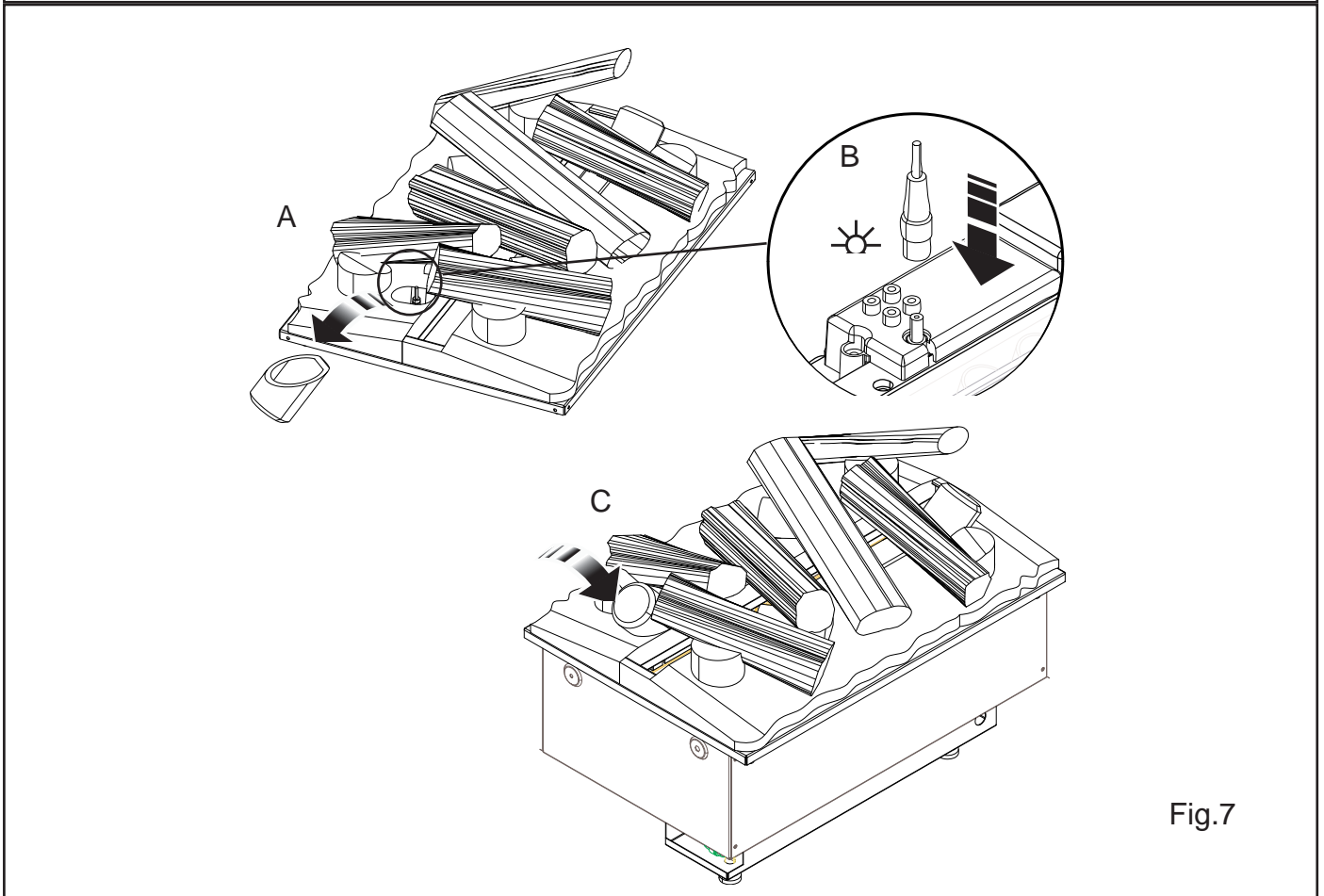


Fig.7

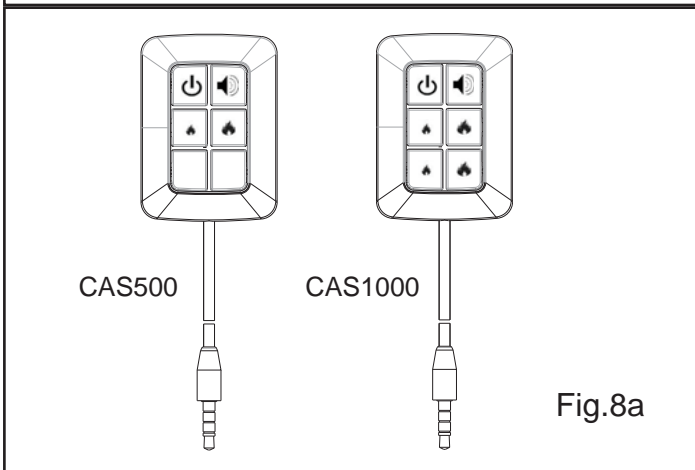


Fig.8a

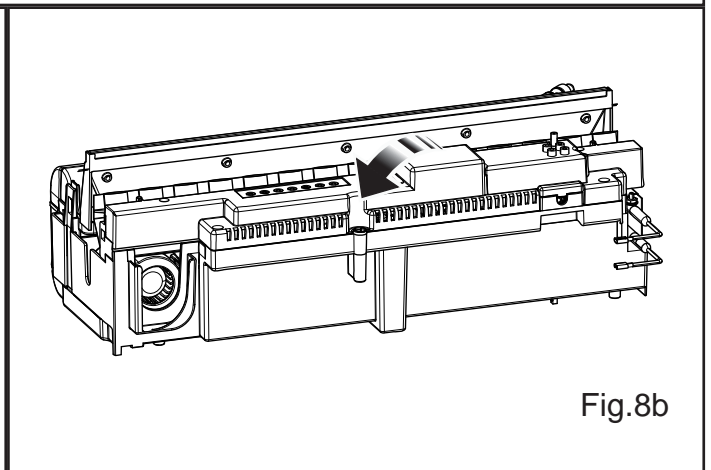
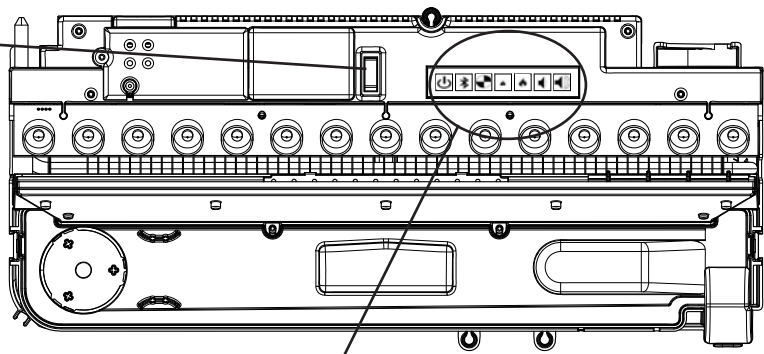
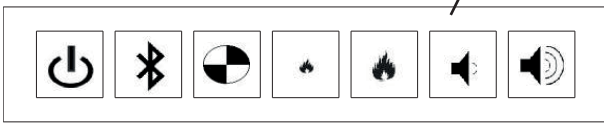


Fig.8b

Switch 'A'



CAS500



CAS1000

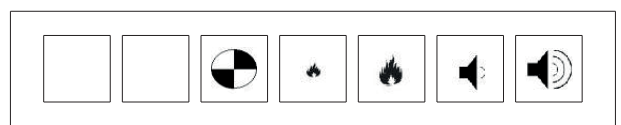
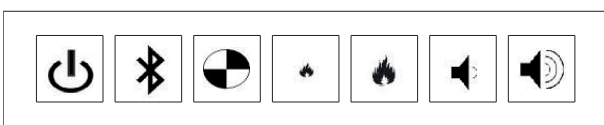


Fig.9

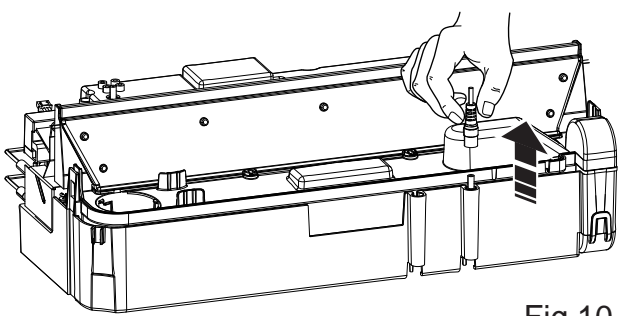


Fig.10

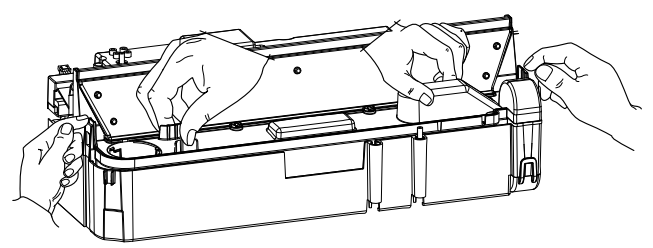


Fig.11

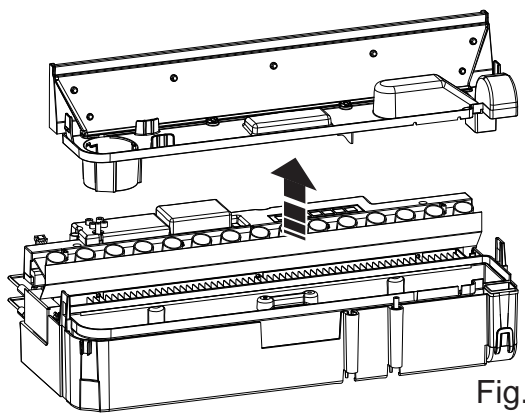


Fig.12

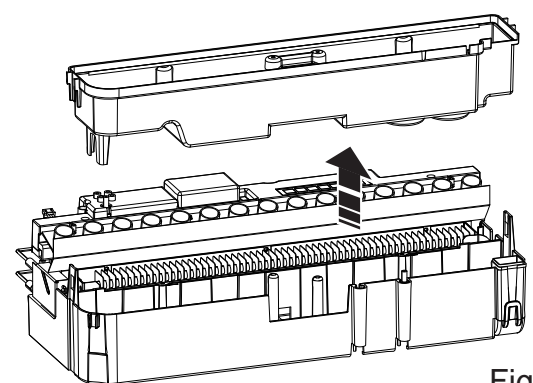


Fig.13

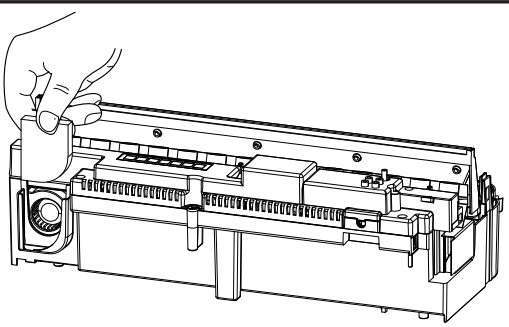
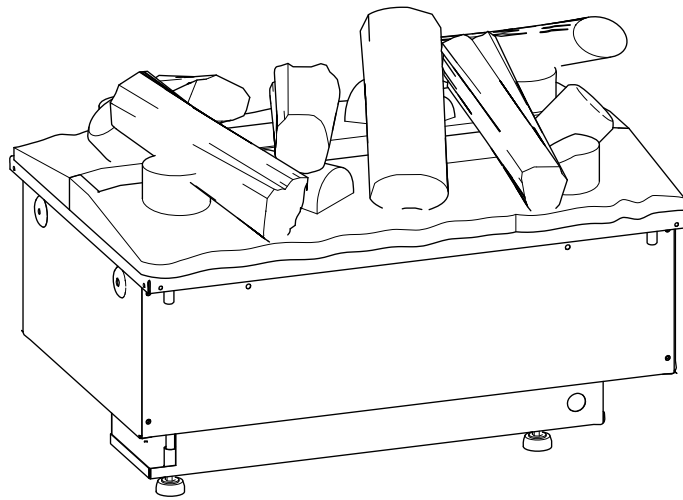
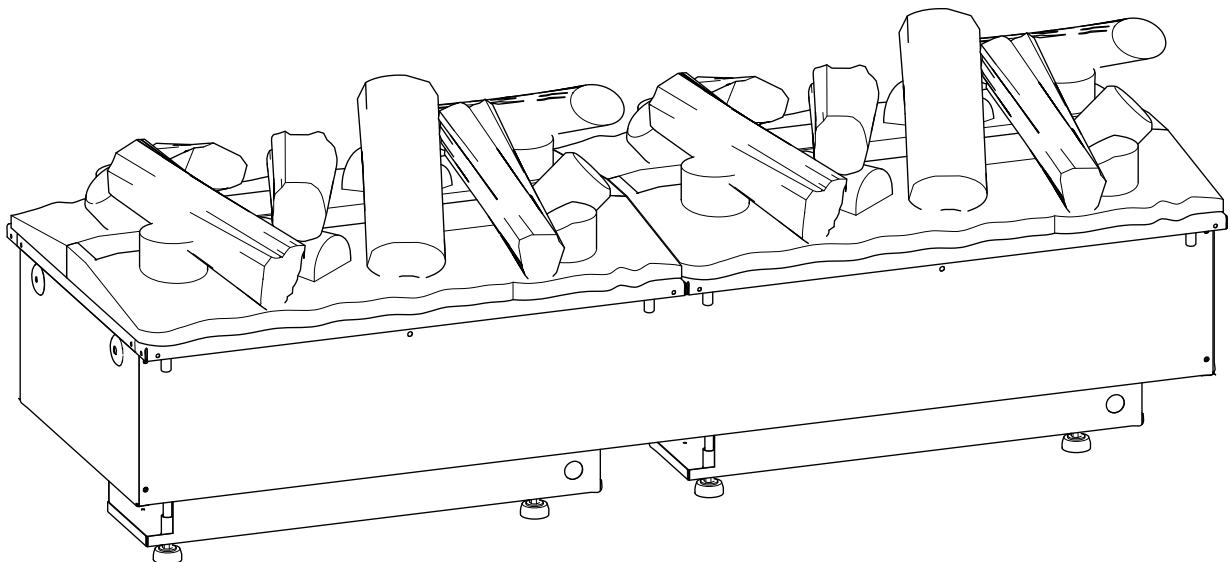


Fig.14

Dimplex



CAS500



CAS1000

Dimplex CAS500, CAS1000

Введение

Внимательно прочтите данное руководство – оно содержит сведения о безопасном размещении, эксплуатации и техническом обслуживании устройства.

Важная информация по технике безопасности

Для снижения риска воспламенения, поражения электрическим током и получения травм при использовании электрических приборов необходимо соблюдать основные меры безопасности, включая следующие:

Если устройство повреждено, то перед его размещением и эксплуатацией обратитесь к поставщику.

Не используйте устройство вне помещений.

Не используйте устройство в непосредственной близости от ванной комнаты, душа или бассейна.

Не располагайте устройство непосредственно под штепсельной розеткой или соединительной коробкой.

Устройство может использоваться детьми старше 8 лет, а также людьми с ограниченными физическими, сенсорными и умственными способностями или недостатком опыта и знаний при условии, что они находятся под присмотром или прошли инструктаж по безопасному пользованию устройством и осознают связанные с этим опасности. Запрещается детям играть с прибором. Очистка и обслуживание могут осуществляться детьми только под присмотром взрослых.

Детям младше 3 лет запрещается находиться вблизи прибора без постоянного присмотра со стороны взрослых.

Детям в возрасте от 3 до 8 лет разрешается включать и выключать устройство только при условии, что оно размещено в надлежащем рабочем положении, а дети находятся под присмотром взрослых, знают правила безопасного обращения с устройством и связанные с этим опасности. Детям в возрасте от 3 до 8 лет запрещается включать устройство в розетку, регулировать его, чистить или выполнять какие-либо работы по обслуживанию.

ОСТОРОЖНО! Некоторые части устройства могут сильно нагреваться и при соприкосновении с кожей вызывать ожоги. Следует проявлять особую внимательность при нахождении вблизи устройства детей и лиц с ограниченными возможностями.

Не используйте устройство в сочетании с терморегулятором, программным контроллером, таймером или любым другим устройством, которое осуществляет автоматическое переключение в режим нагрева, поскольку случайное заслонение или смещение устройства может стать причиной пожара.

Убедитесь в том, что на расстоянии 1 м от устройства отсутствует мебель, шторы или другие горючие предметы.

В случае неисправности выньте вилку устройства из розетки.

Отсоединяйте устройство от розетки, если оно не используется в течение длительного времени. Несмотря на то, что устройство соответствует стандартам безопасности, его не рекомендуется использовать в помещениях, где уложено ковровое покрытие с длинным ворсом.

Устройство должно быть размещено так, чтобы сохранялся доступ к штепсельной вилке.

Во избежание опасных ситуаций обращайтесь для замены поврежденного шнура питания к производителю, агенту по сервисному обслуживанию или специалисту аналогичной квалификации.

Следите за тем, чтобы шнур питания не оказался в зоне перед устройством.

ВНИМАНИЕ! Не накрывайте устройство во избежание перегрева. Не кладите на устройство ткань или одежду и не создавайте препятствия для циркуляции воздуха вокруг устройства.

На устройстве имеется предупреждающая надпись "НЕ НАКРЫВАТЬ". 

Устройство не имеет схемы контроля температуры в помещении. Использование устройства в небольших помещениях в присутствии лиц, не способных покинуть помещение самостоятельно, допускается только при постоянном присмотре.

Общая информация

Используйте в устройстве только фильтрованную воду.

Аккуратно распакуйте устройство и сохраните упаковку на случай транспортировки или возврата электрического камина поставщику.

Устанавливайте устройство только на ровной поверхности.

Устройство создает лишь эффект пламени.

Устройство предназначено для встраивания в оклад или стену.

Перед подключением устройства убедитесь в том, что напряжение питания в электросети соответствует значению, указанному на устройстве.

Примечание. Если устройство используется в помещении с очень низким уровнем фонового шума, то можно услышать звук, создаваемый эффектом пламени. Это нормальное явление, которое не должно служить причиной для беспокойства.

После размещения устройства его нельзя перемещать и переворачивать, не слив предварительно воду из поддона и бака.

Бак для воды, поддон, крышку поддона, пробку бака и воздушные фильтры следует очищать каждые две недели, в особенности в регионах с жесткой водой.

Если устройство не будет использоваться более 2 недель, слейте воду из поддона и бака и протрите поддон.

Поддон и водяной бак устройства обработаны серебряным бактерицидом. Это отвечает самым последним требованиям соответствующего стандарта ISO.

Не пейте воду из поддона или водяного бака.

Устройство предусматривает постоянное подключение к водопроводу, а не временное шланговое подключение.

Указания по установке

В этом разделе содержатся инструкции по установке и настройке камина.

ПЕРЕД ЗАПУСКОМ

1. Убедитесь в том, что удалены все элементы упаковки (внимательно читайте предупреждающие символы), и сохраните упаковку для возможного будущего использования.
2. Перед подключением устройства убедитесь в том, что напряжение питания в электросети соответствует значению, указанному на устройстве.
3. Устанавливайте устройство только на ровной поверхности.
4. Снимите верхнюю металлическую пластину, чтобы получить доступ к внутренней части устройства. Сохраните верхнюю пластину для возможного будущего использования. (Рис. 2)

Инструкция по установке

Устройство может быть встроено в стену, оклад или конструкцию. Постройку стены, оклада или конструкции следует выполнять в соответствии с размерами устройства, приведенными на рис. 1. Необходимо обеспечить расстояние минимум в 400 мм от основания топочной корзины до полки/обрамления над устройством. Это обеспечит достаточное пространство над устройством для полноценного беспрепятственного формирования пламени.

Для нормальной работы устройства требуется естественная вентиляция снизу. Естественная вентиляция обеспечивает охлаждение электронных компонентов устройства, отвод тумана из поддона и беспрепятственное испарение продукта.

ОБЛАСТЬ ЕСТЕСТВЕННОЙ ВЕНТИЛЯЦИИ В КАМИНАХ CAS500 ТРЕБУЕТ НАЛИЧИЯ СВОБОДНОГО ОТСТУПА МИНИМУМ В 210 СМ².

ОБЛАСТЬ ЕСТЕСТВЕННОЙ ВЕНТИЛЯЦИИ В КАМИНАХ CAS1000 ТРЕБУЕТ НАЛИЧИЯ СВОБОДНОГО ОТСТУПА МИНИМУМ В 420 СМ².

Конструкция оклада

Камины CAS500 и CAS1000 предназначены для встраивания в оклад или стену. Полость под устройство можно спроектировать на основании размеров, приведенных на рис. 1. Следует обеспечить достаточное пространство под и вокруг устройства для подключения водопровода и электросети. После постройки оклада или стены устройство можно размещать. Размещайте топочную корзину с поленьями и светодиодной подсветкой так, чтобы камин находился в центральном положении; см. раздел "Сборка топочной корзины с поленьями и светодиодной подсветкой". После размещения снимите топочную корзину и с помощью подходящих болтов, вкручиваемых в отверстия в левой и правой панелях устройства, прикрепите его к окладу/стене.

Водоснабжение

Устройство может работать как от водяного бака (баков), поставляемого в комплекте, так и от водопровода.

Водяной бак (баки): необходимо снять заливную крышку с поддона. (рис. 3а и 3б). Поместите водяной бак (баки) (рис. 3с) в раковину и выкрутите крышку (против часовой стрелки). Наливайте в бак **только фильтрованную водопроводную воду**. Это продлит срок службы блока создания эффекта пламени и дыма. Воду следует фильтровать обычным бытовым фильтром для воды; регулярно заменяйте фильтр. Использовать дистиллированную воду **не разрешается**.

Водопровод: если для водоснабжения устройства будет использоваться водопровод, поместите водяной бак (баки) на хранение вместе с верхней металлической пластиной и упаковкой от устройства. Для подключения к водопроводу можно использовать имеющийся в комплекте прокалывающий клапан:

1. Зафиксируйте прокалывающий клапан на водопроводной трубе диаметром не более 1/2" (12,7 мм).
2. Подсоедините шланг ПВХ диаметром 1/4" (6,35 мм) (отсутствует в комплекте) прокалывающего клапана к имеющемуся в комплекте водяному фильтру и затем к камину (рис. 4).
3. Поверните кран клапана по часовой стрелке для прокалывания отверстия к водопроводной трубе. Поверните кран против часовой стрелки для открытия водяного потока через клапан. Подачу воды к камину можно перекрывать поворотом крана клапана по часовой стрелке до прекращения потока.
4. Включите внутренний шаровой клапан. Он расположен под поддоном. Снимите поддон, как описано в разделе "Чистка" главы "Техническое обслуживание".

Примечание. Давление воды в водопроводе должно быть в диапазоне от 8 бар (800 кПа) до 0,5 бар (50 кПа).

Если вы не уверены, что способны выполнить данное подключение собственными силами, поручите эту работу квалифицированному сантехнику, способному выполнить ее надежно и безопасно.

Подключение к электросети

Подключите камин к розетке 13 А/240 В. После подключения обеспечьте доступ к розетке для ее извлечения. Убедитесь, что кабель питания выходит спереди камина, в правом или левом углу, дотягивается до электророзетки и не зажат под камином, что может привести к его повреждению. К одной розетке не должно быть подключено более 5 электроприборов. Если необходимо подключить большее количество электроприборов, они должны подключаться через отдельную схему.

Устройство можно подключать к фиксированной проводке помещения через распределительную коробку подходящего типа, размещаемую рядом с устройством. Электрическое подключение должно быть выполнено квалифицированным электриком, действующим строго в соответствии с актуальными требованиями IEE касательно электрического оборудования, размещенного в закрытых помещениях.

Процедура удаления заводской сетевой вилки (выполняется электриком):

1. Снимите топочную корзину и нажмите выключатель "А" в положение ВЫКЛ (рис. 9).
2. Убедитесь, что вилка устройства отключена от сетевой розетки.
3. Снимите технологическую крышку, выкрутив крепежный винт (рис. 15).
4. Выкрутите крепление и отсоедините провода фазы, нейтрали и заземления.
5. Выкрутите крепление кабельного зажима (А на рис. 16) и снимите кабель питания.

Подсоедините проводку устройства (выполнив перечисленные выше действия в обратной последовательности) к распределительной коробке, оснащенной двухполюсным разъединителем с зазором между контактами не менее 3 мм. Коричневый провод – фаза (L), синий – нейтраль (N), зелено-желтый – земля (E).

Сборка топочной корзины с поленьями и светодиодной подсветкой

Устройство оснащено металлической "топочной корзиной". Перед сборкой топочной корзины с поленьями и светодиодной подсветкой необходимо снять данную металлическую топочную корзину и отложить в сторону (рис. 2). Ее можно сохранить для возможного дальнейшего использования. Аккуратно извлеките топочную корзину с поленьями и светодиодной подсветкой из упаковки. **ОСТОРОЖНО! Поднимайте топочную корзину только за два центральных полена (рис. 5). Они являются наиболее прочными.** Уложите топочную корзину на верхнюю часть камина, где предусмотрено 4 пластмассовых направляющих (рис. 6). Топочную корзину можно размещать как спереди назад, так и сзади наперед, в зависимости от предпочтений клиента. После размещения снимите небольшое незакрепленное полено, удерживаемое магнитами. Под этим поленом располагаются низковольтный разъем и отверстие для вывода кабеля. Подсоедините к данному разъему соответствующий кабель устройства, выведя его через отверстие в топочной корзине (рис. 7). Камин собран и готов к работе.

В комплекте топочной корзины также имеется незакрепленное полено без светодиодной подсветки. В каминных CAS500 это полено можно положить сверху на топочную корзину либо убрать на хранение вместе с упаковкой устройства. В каминных CAS1000 это полено можно положить на центральное место соединения двух топочных корзин.

Подключение приемника

При снятой топочной корзине вставьте 3,5-мм разъем кабеля приемника (4-кнопочного в каминных CAS500 или 6-кнопочного в каминных CAS1000) в гнездо на тыльной стороне устройства (рис. 8). Длина кабеля приемника в 1,4 м позволяет разместить приемник в любом удобном месте возле камина. Если приемник не должен быть виден, его можно укрыть за шкафом или стеной. Следует лишь иметь в виду, что приемник не должен быть закрыт металлическими деталями, бетоном или другими материалами с высокой плотностью, поскольку это может повлиять на качество приема от пульта ДУ.

Эксплуатация

Данный раздел содержит инструкции по включению камина с помощью ручных элементов управления и с пульта ДУ.

РУЧНЫЕ ЭЛЕМЕНТЫ УПРАВЛЕНИЯ






Ручные элементы управления устройством находятся под топочной корзиной. См. рис. 5

CAS500

Выключатель "А": включение и выключение электропитания устройства.

Примечание. Этот выключатель должен находиться в положении "ВКЛ" (I), чтобы камин работал.

Кнопочная панель "А": управление функциями устройства.

-  – кнопка "ВКЛ/Готовность". Нажатием данной кнопки включают и выключают эффект пламени. Состояние включения можно определить по свечению основных светодиодов. Хотя основные светодиоды загораются немедленно, для включения эффекта пламени требуется еще около 45 секунд.
-  – кнопка Bluetooth. Осуществляет привязку вашего пульта ДУ к приемнику камина. Подробности см. в разделе "Работа с пультом ДУ".
-  – кнопка "Тест". Используется персоналом изготовителя и сервисными техниками.
-  – кнопка "Уменьшить пламя". Снижает высоту/интенсивность "пламени". При достижении минимального уровня звучит звуковой сигнал.
-  – кнопка "Увеличить пламя". Увеличивает высоту/интенсивность пламени. При достижении максимального уровня звучит звуковой сигнал.

- – уменьшение громкости звука треска поленьев. Нажмите кнопку для уменьшения громкости звука треска поленьев. Минимальный уровень громкости – "выключено".
- – увеличение громкости звука треска поленьев. Нажмите кнопку для увеличения громкости звука треска поленьев.

CAS1000

Выключатель "А": включение и выключение электропитания устройства.

Примечание. Этот выключатель должен находиться в положении "ВКЛ" (I), чтобы камин работал.

Кнопочная панель "А": управление функциями левой части устройства.

- – кнопка "ВКЛ/Готовность". Нажатием данной кнопки включают и выключают эффект пламени. Состояние включения можно определить по свечению основных светодиодов. Хотя основные светодиоды загораются немедленно, для включения эффекта пламени требуется еще около 45 секунд.
- – кнопка Bluetooth. Осуществляет привязку вашего пульта ДУ к приемнику камина. Подробности см. в разделе "Работа с пультом ДУ".
- – кнопка "Тест". Используется персоналом изготовителя и сервисными техниками.
- – кнопка "Уменьшить пламя". Снижает высоту/интенсивность "пламени". При достижении минимального уровня звучит звуковой сигнал.
- – кнопка "Увеличить пламя". Увеличивает высоту/интенсивность пламени. При достижении максимального уровня звучит звуковой сигнал.
- – уменьшение громкости звука треска поленьев. Нажмите кнопку для уменьшения громкости звука треска поленьев. Минимальный уровень громкости – "выключено".
- – увеличение громкости звука треска поленьев. Нажмите кнопку для увеличения громкости звука треска поленьев.

Кнопочная панель "В": управление функциями правой части устройства.

- – кнопка "Тест". Используется персоналом изготовителя и сервисными техниками.
- – кнопка "Уменьшить пламя". Снижает высоту/интенсивность "пламени". При достижении минимального уровня звучит звуковой сигнал.
- – кнопка "Увеличить пламя". Увеличивает высоту/интенсивность пламени. При достижении максимального уровня звучит звуковой сигнал.
- – уменьшение громкости звука треска поленьев. Нажмите кнопку для уменьшения громкости звука треска поленьев. Минимальный уровень громкости – "выключено".
- – увеличение громкости звука треска поленьев. Нажмите кнопку для увеличения громкости звука треска поленьев.

ПОЛУЧЕНИЕ ЖЕЛАЕМОГО ЭФФЕКТА ПЛАМЕНИ

1. Включите устройство нажатием основного выключателя в положение ВКЛ или кнопки "ВКЛ/Готовность". Пламя запускается через 45 секунд. Пламя достигает максимальной высоты и находится на этом уровне в течение 5 секунд, а затем снижается до номинального уровня.
2. С помощью кнопок и выставьте нужную высоту пламени. Имейте в виду, что пламегенератор реагирует на изменения настроек не сразу.
3. Не наклоняйте и не перемещайте устройство при наличии воды в баке или поддоне.
4. Устройство должно стоять на ровной горизонтальной поверхности.

Задаваемые пользователем настройки высоты пламени и громкости треска поленьев сохраняются в памяти также при выключении устройства кнопкой "ВКЛ/Готовность" или выключателем питания. При очередном включении питания устройство запускается как обычно, с ожиданием в 45 секунд до начала пламени, выдерживанием максимальной высоты пламени в течение 5 секунд, а затем переходит к выполненным настройкам.

ЭЛЕМЕНТЫ УПРАВЛЕНИЯ НА ПРИЕМНИКЕ BLUETOOTH





На приемнике Bluetooth имеется ряд кнопок для ручного управления устройством.

CAS500

- – кнопка "ВКЛ/Готовность". Нажатием данной кнопки включают и выключают эффект пламени.
- – треск "поленьев". Данной кнопкой включают или выключают звук треска поленьев. Громкость звука регулируют с помощью ручных органов управления на устройстве.
- – кнопка "Уменьшить пламя". Снижает высоту/интенсивность "пламени". При достижении минимального уровня звучит звуковой сигнал.
- – кнопка "Увеличить пламя". Увеличивает высоту/интенсивность пламени. При достижении максимального уровня звучит звуковой сигнал.



CAS1000

- – кнопка "ВКЛ/Готовность". Нажатием данной кнопки включают и выключают эффект пламени.
- – треск "поленьев". Данной кнопкой включают или выключают звук треска поленьев. Громкость звука регулируют с помощью ручных органов управления на устройстве.

-  – кнопка уменьшения высоты пламени для левой части устройства. Снижает высоту/интенсивность "пламени". При достижении минимального уровня звучит звуковой сигнал.
-  – кнопка увеличения высоты пламени для левой части устройства. Увеличивает высоту/интенсивность пламени. При достижении максимального уровня звучит звуковой сигнал.
-  – кнопка уменьшения высоты пламени для правой части устройства. Снижает высоту/интенсивность "пламени". При достижении минимального уровня звучит звуковой сигнал.
-  – кнопка увеличения высоты пламени для правой части устройства. Увеличивает высоту/интенсивность пламени. При достижении максимального уровня звучит звуковой сигнал.

ПУЛЬТ ДУ BLUETOOTH

Пульт ДУ поставляется с двумя батарейками AAA. Снимите крышку батарейного отсека на тыльной стороне пульта ДУ, извлеките батарейки из пластиковой упаковки и установите в пульт. Установите крышку батарейного отсека.

Пульт ДУ работает по технологии Bluetooth и требует привязки к соответствующему приемнику Bluetooth. Привязку выполняют нажатием кнопки  на кнопочной панели "А"; при этом начинают мигать светодиоды. Мигание показывает, что устройство готово получать сигналы от пульта ДУ. Нажмите кнопку  на пульте ДУ. Устройство включится. Пульт ДУ привязан к устройству.

Функции пульта ДУ работают аналогично описанным в разделе "Элементы управления на приемнике". К одному пульту ДУ можно привязать несколько устройств путем выполнения описанной выше процедуры привязки для каждого из них.

Функции пульта ДУ работают аналогично описанным в разделе "Элементы управления на приемнике Bluetooth".

Техническое обслуживание

ОБЩИЕ РЕКОМЕНДАЦИИ

Используйте в устройстве только фильтрованную водопроводную воду.

Устанавливайте устройство только на ровной поверхности.

Если устройство не будет использоваться более 2 недель, снимите поддон и водяной бак и слейте из них воду. После размещения устройства его нельзя перемещать и переворачивать, не слив предварительно воду из поддона и бака.

ЧИСТКА

Внимание! Обязательно нажмите выключатель "А" в положение "ВЫКЛ". (0) (рис. 10) и отключите камин от сети, прежде чем приступать к его чистке.

Рекомендуем каждые 2 недели выполнять чистку следующих компонентов, особенно в местах с жесткой водой в водопроводе:

водяной бак, поддон, насадка, крышка и прокладка крышки бака, воздушный фильтр.

Общая чистка выполняется мягкой чистой тряпкой; ни в коем случае не используйте абразивные чистящие средства.

Для периодического удаления скоплений пыли или пуха с выходной воздушной решетки вентилятора нагревателя используйте пылесос с насадкой-мягкой щеткой.

Водяной бак

1. Снимите водяной бак, как описано ранее, поставьте его в раковину и слейте воду.
2. Прилагаемой щеткой аккуратно очистите внутренние поверхности крышки, уделяя особое внимание резиновому кольцу в наружной канавке и центральному резиновому кольцу.
3. Капните немного жидкости для мытья посуды в бак, закройте крышку и хорошо встряхните, затем сполосните, удалив все остатки моющей жидкости.
4. Заливайте только фильтрованную водопроводную воду. Закручивайте пробку, не перетягивая ее.

Поддон

1. Нажмите выключатель "А" в положение "ВЫКЛ" (0) .
2. Аккуратно снимите топочную корзину и поставьте ее на пол.
3. Снимите водяной бак движением вверх.
4. Отсоедините электрический разъем, расположенный на правой стороне поддона. (Рис. 5)
5. Отцепите правые фиксаторы поддона, повернув их на 90°. После этого можно полностью снять поддон. (Рис. 11)
6. Осторожно поднимите поддон, удерживая его горизонтально, чтобы не пролить воду. Поместите весь узел в раковину.
7. Отцепите левые фиксаторы поддона, повернув их на 90°, и снимите насадку. (Рис. 3)
8. Снимите преобразователь и осторожно наклоните, как показано на рисунке, чтобы жидкость вытекла из поддона. (Рис. 13)
9. Капните немного жидкости для мытья посуды в поддон и прилагаемой щеткой аккуратно очистите все поверхности, а также преобразователь, включая металлические диски, расположенные на верхней поверхности с канавкой. (Рис. 14)
10. После чистки тщательно сполосните поддон чистой водой, чтобы смыть остатки моющей жидкости.
11. Почистите насадку щеткой и тщательно промойте водой. (Рис. 15)
12. Сборка производится в обратном порядке.

Преобразователь

Преобразователь является расходным материалом, требующим периодической замены в зависимости от степени износа. Запасные преобразователи можно приобрести на нашем сайте <http://spares.dimplex.co.uk>.

Преобразователь крепится к поддону пластмассовым фиксатором. Если требуется замена преобразователя

1. Выполните операции 1-5, описанные в подразделе "Поддон" раздела "ЧИСТКА" главы "Техническое обслуживание", чтобы получить доступ к преобразователю.
2. Оттяните фиксатор и извлеките преобразователь вверх из держателя.
3. Снимите конус вращением по часовой стрелке и переставьте его на новый преобразователь. Закрепите конус вращением против часовой стрелки до упора.
4. Для сборки выполните процедуру в обратной последовательности (5-1).

Воздушный фильтр

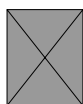
1. Аккуратно снимите топочную корзину и поставьте ее на пол.
2. Аккуратно снимите воздушный фильтр с пластмассового держателя вверх. (Рис. 16)
3. Аккуратно промойте фильтр водой в раковине и, прежде чем устанавливать на место, насухо протрите полотенцем.
4. Вставьте фильтр стороной грубой очистки (черной) к передней части камина.
5. Установите топочную корзину.

Дополнительная информация

ПОСЛЕПРОДАЖНОЕ ОБСЛУЖИВАНИЕ

Гарантийный срок для данного устройства составляет один год со дня покупки. В течение данного срока изготовитель обязуется бесплатно выполнять ремонт или замену изделия (кроме дисков преобразователя, с учетом наличия) при условии, что его размещение и эксплуатация выполнялись в соответствии с настоящим руководством. Ваши права по этой гарантии дополняют законные права потребителя и не ущемляют их.

УТИЛИЗАЦИЯ



Для электроприборов, реализуемых на территории ЕС: приборы, выработавшие свой ресурс, не подлежат утилизации вместе с бытовыми отходами. Необходимо осуществлять их вторичную переработку в специально оборудованных местах. Для получения информации о правилах утилизации обращайтесь в местные органы власти или в магазин, в котором была совершена покупка.

ПАТЕНТЫ И ЗАЯВКИ НА ПОЛУЧЕНИЕ ПАТЕНТОВ

Изделия серии Optimyst защищены одним или несколькими патентами либо заявками на получение патента:

Великобритания: GB2460259B, GB2475794B, GB2418014, EP2029941, GB2436212, GB2402206B

США: US8413358, US8136276, US7967690, US8574086

Россия: RU2434181

ЕС: EP2029941, EP2315976, EP1787063 (A1), EP2388527, EP2029941,

КНР: CN101883953A, CN102105746A, CN101057105 (A), CN101438104

Австралия: AU2009248743A1, AU2007224634

Канада: CA2725214, CA2579444, CA2645939

ЮАР: ZA2008/08702

Мексика: MX2008011712

Южная Корея: KR101364191


Япония: JP5281417, JP5496291

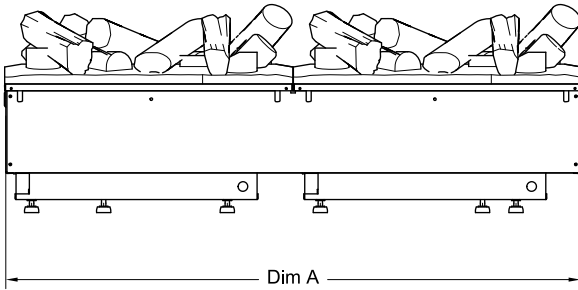
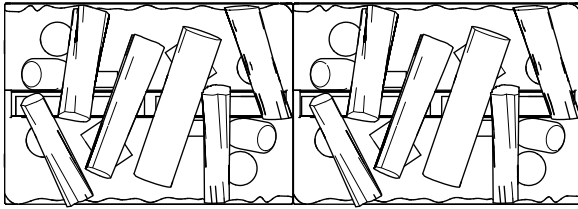
Бразилия: BRP10708894

Индия: 4122/KOLNP/2008

Новая Зеландия: NZ571900

Устранение неисправностей

Признак	Причина	Способ устранения
Эффект пламени не включается.	<p>Вилка не вставлена в розетку.</p> <p>Низкий уровень воды.</p> <p>Неправильное подключение низковольтного разъема. (см. рис. 10).</p>	<p>Убедитесь, что вилка правильно вставлена в розетку.</p> <p>Проверьте, наполнен ли водяной бак, и есть ли вода в поддоне.</p> <p>Убедитесь, что разъем подсоединен правильно. (см. рис. 10).</p>
Эффект пламени слишком слабый.	<p>С помощью регулятора выбран слишком слабый эффект пламени.</p> <p>Возможно, загрязнен диск преобразователя.</p> <p>Провод преобразователя располагается над диском.</p>	<p>Увеличьте уровень пламени кнопкой  на пульте ДУ или приемнике.</p> <p>Очистите диск мягкой тряпкой. См. пошаговые инструкции в главе "Техническое обслуживание".</p> <p>Проведите провод в заднюю часть поддона и вставьте его в боковой выступ на выходе из поддона.</p>
Неприятный запах при пользовании устройством.	<p>Грязная или застоявшаяся вода.</p> <p>Использование нефilterованной воды.</p>	<p>Очистите устройство, как описано в главе "Техническое обслуживание".</p> <p>Используйте только фильтрованную водопроводную воду.</p>
Эффект пламени дает слишком много дыма.	<p>Установлен слишком сильный эффект пламени.</p>	<p>Уменьшите эффект пламени. Подождите некоторое время, пока пламегенератор отреагирует на изменение настройки.</p>



MODEL	DIM 'A'
CAS500	508mm
CAS1000	1017mm

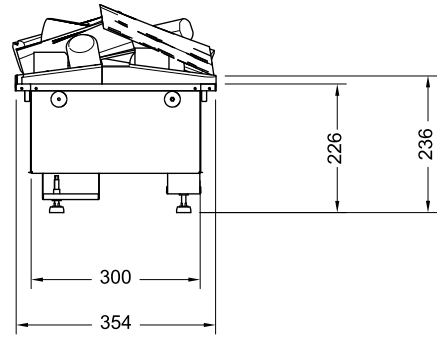


Fig.1

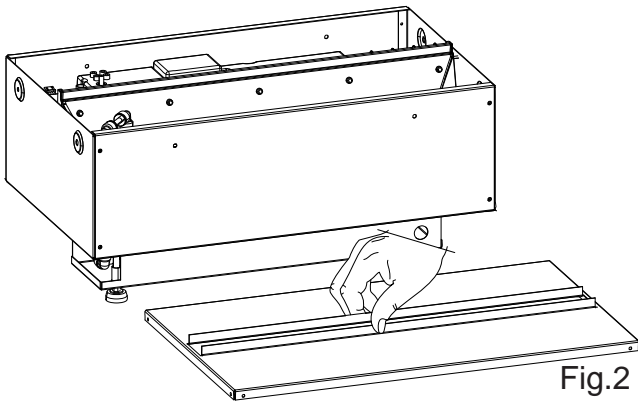


Fig.2

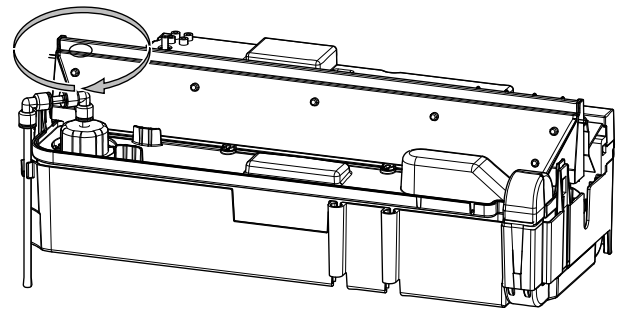


Fig.3a

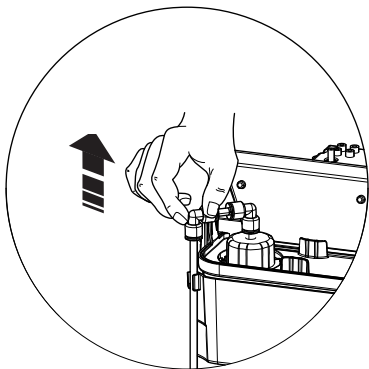


Fig.3b

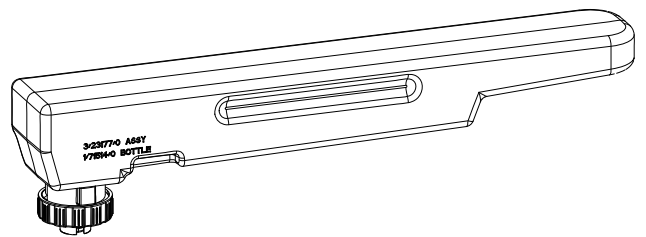


Fig.3c

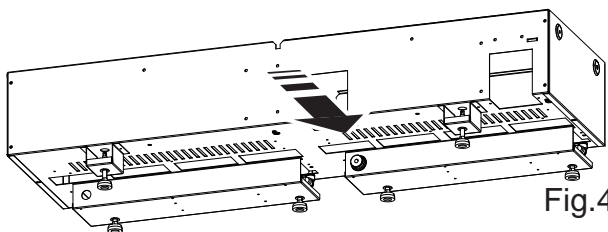


Fig.4

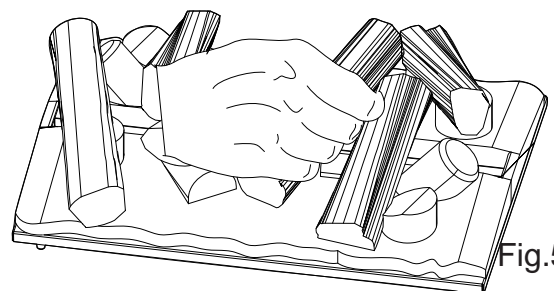


Fig.5

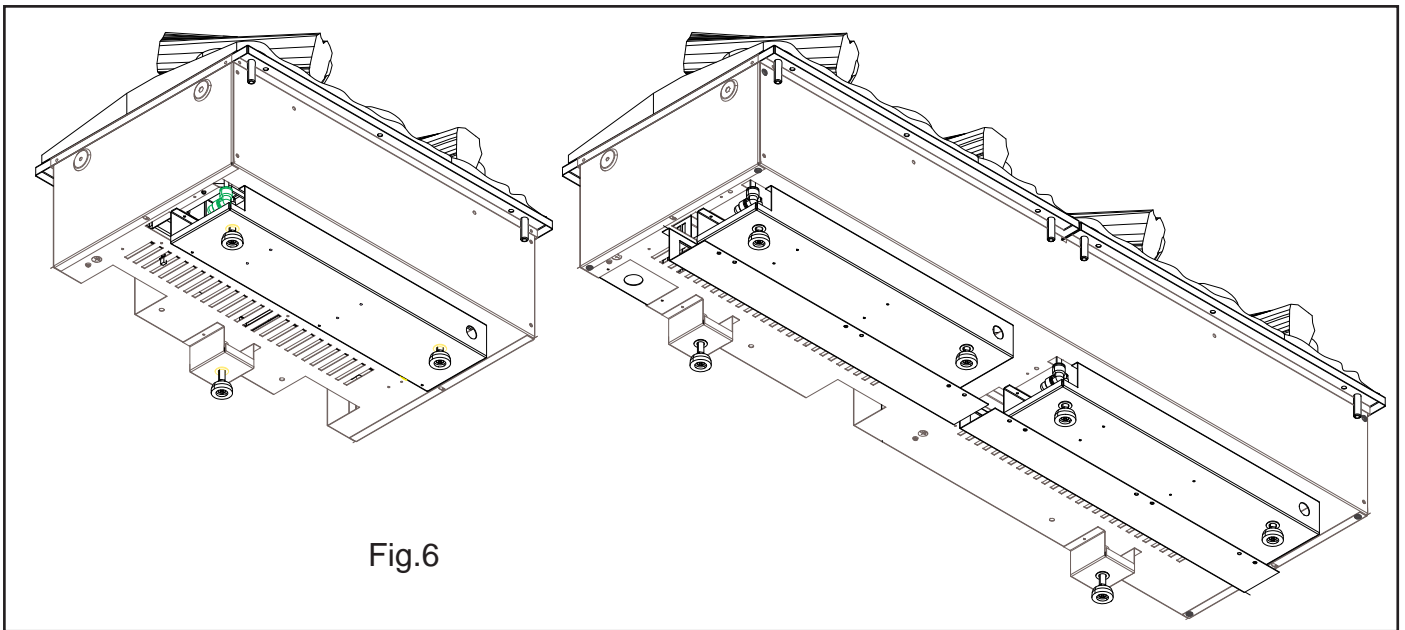


Fig.6

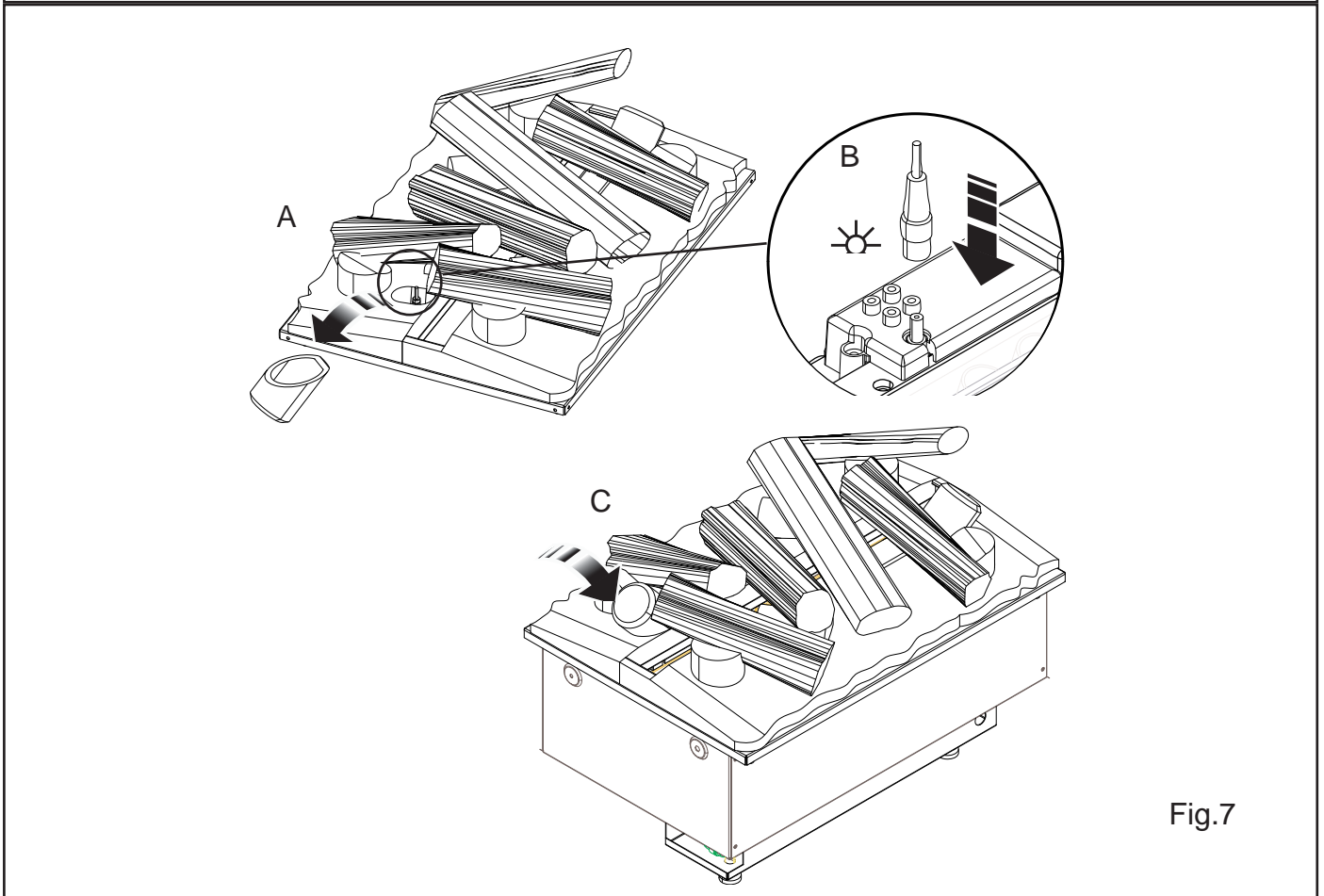


Fig.7

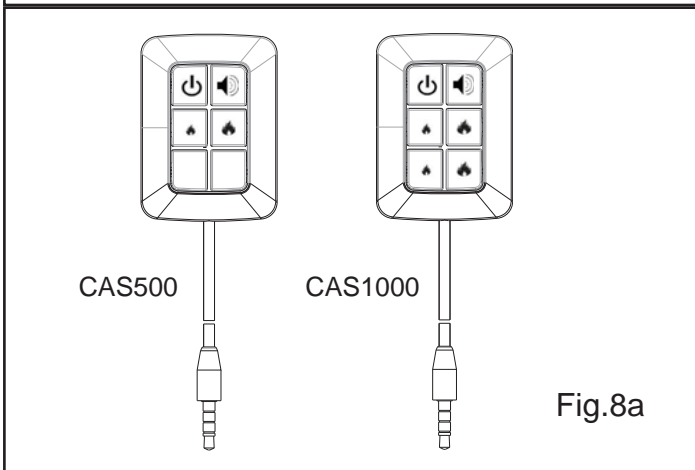


Fig.8a

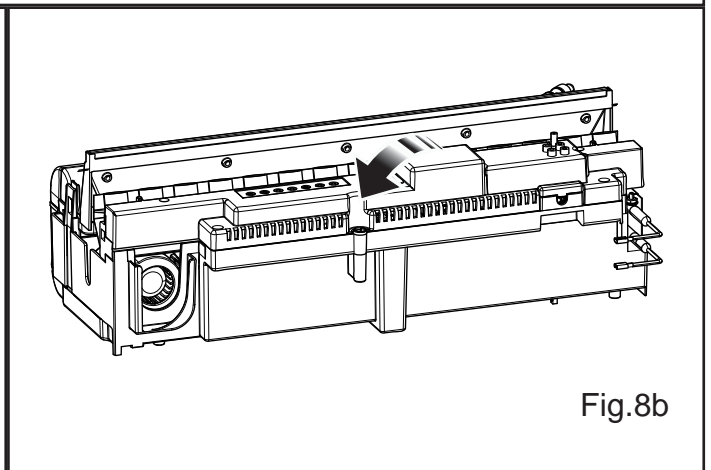
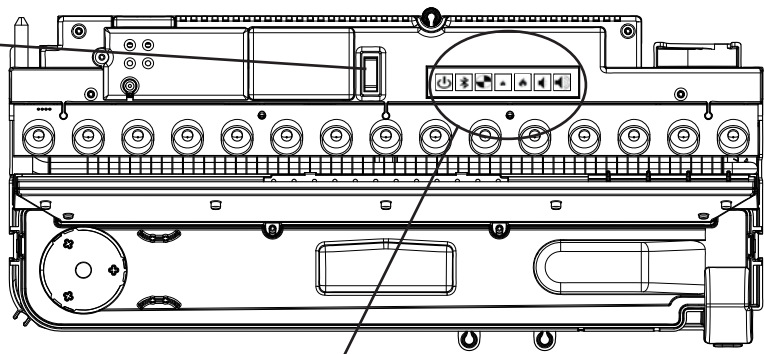
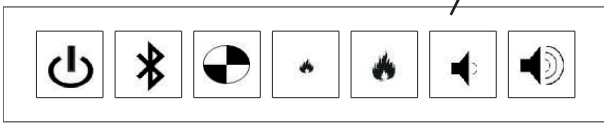


Fig.8b

Switch 'A'



CAS500



CAS1000

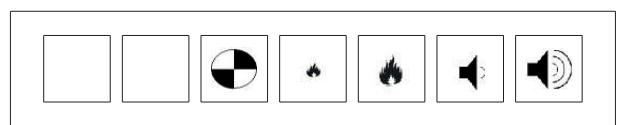
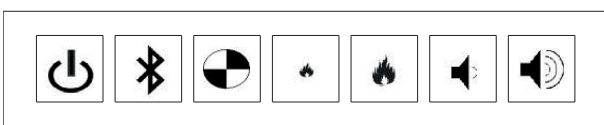


Fig.9

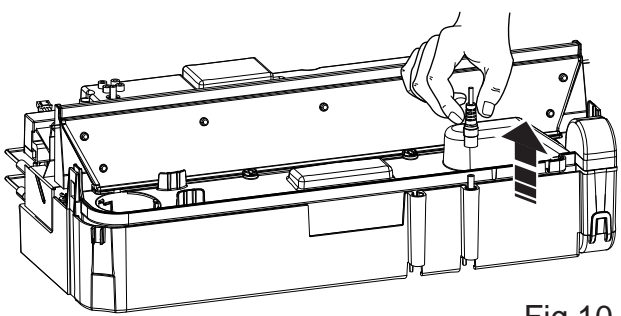


Fig.10

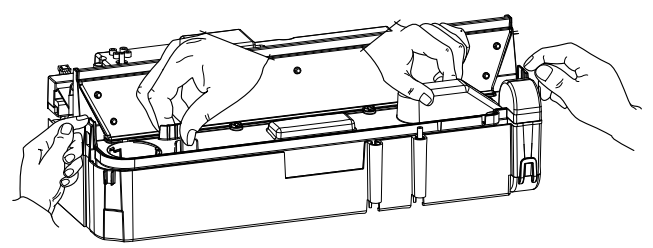


Fig.11

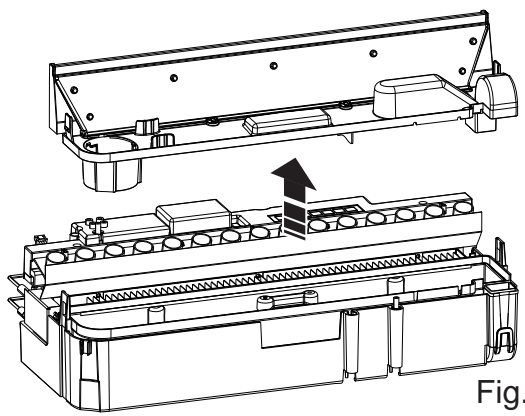


Fig.12

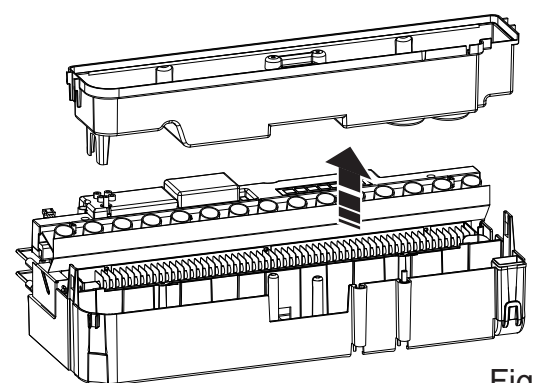


Fig.13

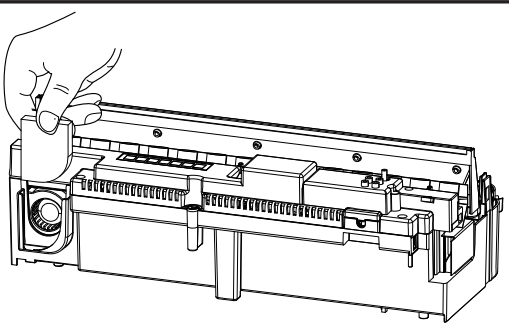
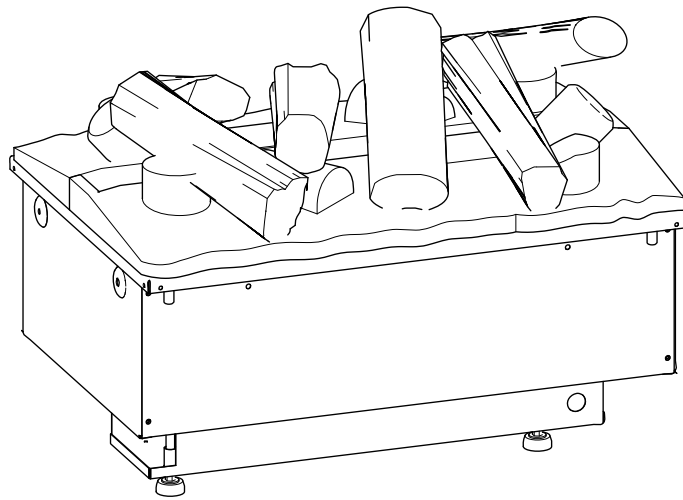
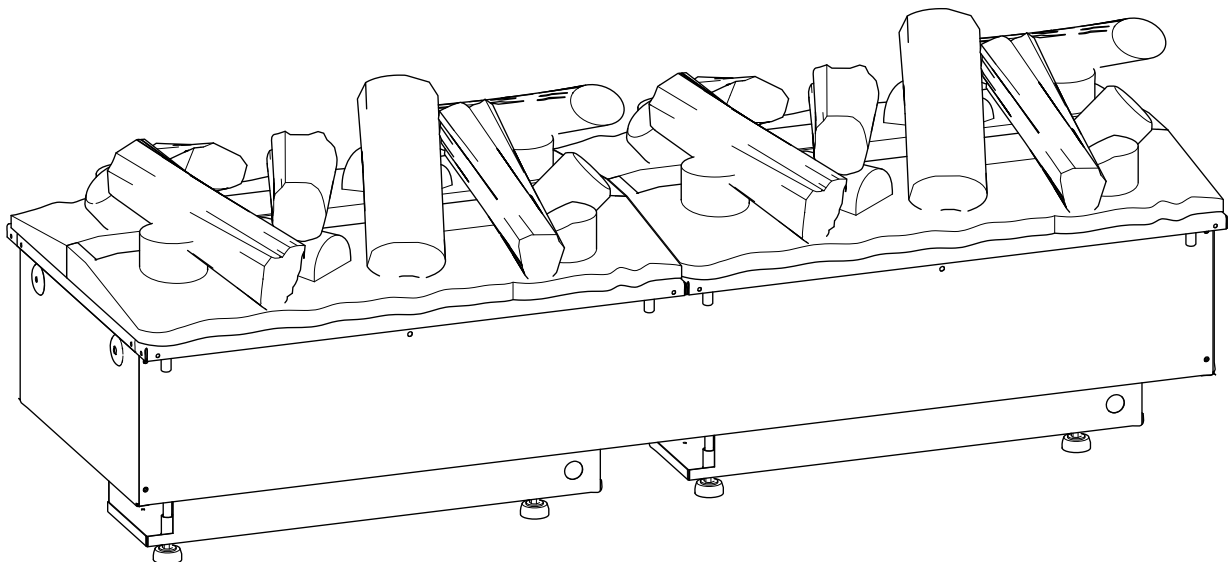


Fig.14

Dimplex



CAS500



CAS1000

Dimplex CAS500, CAS1000

Innledning

Les denne informasjonsveiledningen omhyggelig slik at du kan installere, bruke og vedlikeholde produktet på en trygg måte.

Viktig sikkerhetsveiledning

Ved bruk av elektriske apparater bør man alltid ta noen grunnleggende forholdsregler for å unngå brannfare, elektrisk støt og skade på personer, inkludert følgende:

Hvis apparatet er skadet, konferer med leverandøren for installasjon og drift.

Bruk ikke apparatet utendørs.

Bruk ikke apparatet i umiddelbart nærhet av badekar, dusj eller svømmebasseng.

Ikke plasser apparatet rett under en fast stikkontakt eller en koblingsboks.

Dette apparatet kan brukes av barn fra 8 år og oppover og av personer med reduserte fysiske, sensoriske eller mentale evner eller manglende erfaring og kunnskap dersom de får tilsyn eller har fått instruksjon i bruk av apparatet på en trygg måte, og forstår farene som er involvert. Barn skal ikke leke med apparatet. Rengjøring og brukervedlikehold skal ikke utføres av barn uten tilsyn.

Barn under 3 år skal holdes på avstand med mindre de er under kontinuerlig tilsyn.

Barn mellom 3 og 8 år skal bare slå apparatet på eller av, forutsatt at det er plassert eller installert i sin tiltenkte, normale driftsposisjon og at barna får tilsyn eller har fått instruksjon i bruk av apparatet på en trygg måte, og forstår farene som er involvert. Barn mellom 3 og 8 år skal ikke koble til, regulere og rengjøre apparatet eller foreta brukervedlikehold.

ADVARSEL: Enkelte deler av dette produktet kan bli svært varme og forårsake brannskader. Vær spesielt oppmerksom når det er barn og sårbare personer til stede.

Ikke bruk dette apparatet i serie med en termisk kontroll, en programregulator, et tidsur eller annen enhet som slår på varmen automatisk, ettersom det foreligger brannfare dersom varmeapparatet blir tildekket eller flyttet i vanvare.

Sørg for at møbler, gardiner og andre brennbare materialer er plassert i minst 1 meters avstand fra apparatet.

Ved feil må støpselet trekkes ut.

Trekk ut støpselet dersom apparatet ikke skal brukes på lengre tid.

Selv om dett apparatet overholde sikkerhetsstandardene, anbefaler vi ikke å plassere det på dype tepper eller langhårede matter.

Apparatet må plasseres slik at støpselet er tilgjengelig.

Dersom strømledningen er skadet, må den byttes av produsenten eller serviceagenten eller en person med tilsvarende kvalifikasjoner, for å unngå fare.

Hold ledningen unna forsiden av apparatet.

ADVARSEL: For å unngå overoppheting må ikke apparatet tildekkes. Materialer eller plagg må ikke legges oppå apparatet, og luftsirkulasjonen rund apparatet må ikke tildekkes.

Apparatet har et MÅ IKKE TILDEKKES-symbol. 

Apparatet er ikke utstyrt med en enhet til kontroll av romtemperaturen. Ikke bruk dette apparatet i små rom dersom det er mennesker der som ikke kan forlate rommet på egen hånd, med mindre rommet er under konstant tilsyn.

Generell informasjon

Bruk bare filtrert vann i dette apparatet

Pakk opp apparatet forsiktig, og behold forpakkingsmaterialet for eventuell senere bruk, ved flytting eller dersom peisen skal returneres til leverandøren.

Sørg alltid for at apparatet står på en jevn overflate.

Apparatet er bare en flammeeffekt.

Apparatet er konstruert for å bygges inn i en innfatning eller i en vegg.

Før apparatet tilkobles, må du kontrollere at tilførselsspenningen er den samme som den som er angitt på apparatet.

Merk: Brukt i omgivelser med svært lav bakgrunnsstøy, kan det være mulig å høre en lyd som er relatert til driften av flammeeffekten. Dette er normalt, og gir ingen grunn til bekymring.

Når apparatet er installert, må det ikke flyttes eller legges på ryggen uten først å tappe ut vannet fra kummen og vanntanken. Vanntanken, kummen, kumløkket, tankløkket og luftfiltrene må rengjøres annenhver uke, spesielt i områder med hardt vann.

Hvis du har tenkt at apparatet ikke skal brukes på mer enn to uker, skal du tappe ut vannet fra kummen og vanntanken og tørke kummen.

Kummen og vanntanken i dette produktet er behandlet med et biocid-produkt, Silver Biocide. Dette overholder den seneste relevante ISO-standard

Vannet i kummen og i vanntanken(e) må ikke drikkes

Dette apparatet er beregnet for permanent tilkobling til hovedvannledningen, og ikke tilkoblet via et slangesett

Installasjonsinstruksjoner

Dette avsnittet beskriver hvordan du setter opp peisen.

FØR DU STARTER

1. Sørg for at alt forpakkingsmateriale er fjernet (les alle varseletiketter omhyggelig) og oppbevar forpakningen for eventuell senere bruk.
2. Før apparatet tilkobles, må du kontrollere at tilførselsspenningen er den samme som den som er angitt på apparatet.
3. Sørg for at apparatet står på en jevn overflate.
4. Løft av topplaten av metall for å få tilgang til apparatet. Oppbevar topplaten sammen med forpakkingsmaterialet for eventuell senere bruk. (Fig. 2)

Installasjonsveiledning

Dette produktet kan bygges inn i en vegg, en innfatning eller struktur. Se produktmålene i fig. 1, og bygg veggen, innfatningen eller strukturen i henhold til dem. Du må la det være en avstand på minst 400 mm fra fundamentet på brenselunderlaget til en eventuell hylle/innkapsling over produktet. Det vil gi tilstrekkelig plass over produktet til at flammene kan bli fullt formet, og ikke bli blokkert.

Dette produktet trenger fri ventilasjon fra undersiden for å fungere korrekt. Den frie ventilasjonen bidrar til å avkjøle de elektroniske komponentene og slippe ut røyk fra kummen og ut av produktet.

OMRÅDET MED FRI VENTILASJON SOM KREVES AV CAS500, ER MINIMUM 210 CM².

OMRÅDET MED FRI VENTILASJON SOM KREVES AV CAS1000, ER MINIMUM 420 CM².

Innfatningskonstruksjon

CAS500 og CAS1000 er konstruert for innbygging i en innfatning/vegg. Ved hjelp av målene i fig. 1 kan du konstruere et hulrom for apparatet. Sørg for å la det være rom til vann- og strømtilkoblingen under apparatet. Når innfatningen/veggen er bygget, kan du sette apparatet på plass. Plasser LED-kubbe-brenselunderlaget slik at du er sikker på at apparatet er sentrert, se avsnittet "Montering av LED-kubbe-brenselunderlaget". Når du har funnet en posisjon, løfter du opp brenselunderlaget og bruker egnede skruer for innfatningen/veggen, og fester apparatet på plass ved å skru gjennom de formede hullene i venstre og høyre sidepaneler.

Vanntilførsel

Apparatet kan fungere ved å bruke de medfølgende vanntanken(e), eller ved å koble det til hovedvannledningen.

Vanntank(er): Du må ta "Påfyllingsløkket" av fra kummen. (Fig. 3a og fig. 3b). Plassér vanntanken(e) (fig. 3C) i en utslagsvask og ta av løkket (skru mot klokken). Fyll vanntanken med utelukkende **filtrert springvann**. Dette er nødvendig for å forlenge levetiden på enheten som produserer flammer og røyk. Vannet bør filtreres gjennom et vanlig husholdnings-vannfilter, og filteret bør byttes jevnlig. Destillert vann må **ikke** brukes.

Springvann: Dersom du velger å tilføre vann fra hovedledningene, kan du oppbevare flasken(e) sammen med topplaten av metall og forpakkingsmaterialet. Du kan bruke dorventilen (medfølgende) for å koble deg til hovedvannledningen.

1. Klem dorventilen inn på vannrøret: maksimum rørdiameter 1/2" (12,7 mm)
2. Koble en 1/4" (6,35 mm) PVC-slange (følger ikke med) fra dorventilen og inn i det vedlagte vannfilteret og deretter til produktet (fig. 4).
3. Drei kranen på ventilen mot klokken for å bore hull i vannrøret. Drei kranen mot klokken for å la vann strøme gjennom ventilen. Du kan stenge vannet til produktet ved å dreie kranen på ventilen med klokken til vannstrømmen stopper.
4. Slå på den interne kuleventilen. Den befinner seg under kummen. Fjern kummen slik det er beskrevet under "Rengjøring" i avsnittet Vedlikehold.

Merk: vanntrykket skal ligge mellom 8 Bar (800 Kilopascal) og 0,5 Bar (50 Kilopascal).

Dersom du ikke føler deg kompetent til å foreta denne tilkoblingen, kan du kontakte en kvalifisert rørlegger for å få en trygg og sikker installasjon.

Elektrisk tilkobling

Plugg peisen inn i en 13 amp/240 volt stikkontakt. Sørg for å ha tilgang til støpselet etter installasjonen, slik at det blir mulig å koble fra. Sørg for at strømledningen går ut på baksiden av peisen, ved venstre eller høyre hjørne avhengig av hvor stikkontakten er plassert, og ikke kommer i klem under peisen slik at den kan bli skadet. Dersom flere apparater kobles til det samme strømuttaket, bør du ikke koble til mer enn 5 apparater. Hvis flere apparater er påkrevet må de kobles til en separat kurs.

Apparatet kan kobles til den faste kablingen i huset gjennom en egnet koblingsboks plassert i nærheten av apparatet. Denne elektriske installasjonen må foretas av en kvalifisert elektriker i henhold til gjeldende IEE-regler for elektrisk utstyr i bygninger.

Elektrikeren kan fjerne det medleverte støpselet på følgende måte:

1. Løft opp brenselunderlaget og sett bryter "A" i av-stilling (fig. 9).
2. Sørg for at apparatet er frakoblet.
3. Løft av tilgangsdekselet ved å skru ut holdeskruen (fig. 15).
4. Skru av og ta av den førende, nøytrale og jordledningen.
5. Skru av kabelklemmen (fig. 16 "A") og ta av strømledningen.

Elektrikeren kan da koble til en ledning fra apparatet (ved å følge trinnene ovenfor i omvendt rekkefølge) til koblingsboksen, og sørge for at den har en dobbeltpolet isolasjonsbryter med et kontaktskille på minst 3 mm. Brun - ledende (L), blå - nøytral (N) og grønn/gul - jord (E).

Montering av LED-kubbe-brenselunderlaget

Dette produktet er utstyrt med et brenselunderlag av metall. Før du monterer LED-kubbe-brenselunderlaget må du løfte av denne metall-brenselunderlaget og plassere det ved siden av, (fig. 2). Den kan oppbevares for fremtidig bruk. Løft LED-kubbe-brenselunderlaget forsiktig ut av forpakningen. **ADVARSEL: Brenselunderlaget skal bare løftes etter de to kubbene i midten (fig. 5). De er de sterkeste.** Plasser brenselunderlaget på toppen av apparatet, det er 4 plastførere under brenselunderlaget til hjelp (fig. 6). Brenselunderlaget kan plasseres med fronten bak eller frem, det er opp til kunden hvilken vei den skal vende. Når den er på plass, kan du løfte av den lille løse kubben, den holdes på plass av magneter. Under denne kubben er det en likestrøms-ledningsplugg og et hull i brenselunderlaget. Koble denne til den korresponderende likestrøms-ledningspluggen på produktet gjennom hullene i brenselunderlaget (fig. 7). Produktet er nå montert og klart til å skrues på.

Det er også en løs ikke-LED-kubbe pakket sammen med brenselunderlaget. For CAS500 kan den plasseres på toppen av brenselunderlaget, eller oppbevares sammen med forpakkingsmaterialet. For CAS1000 kan den løse kubben plasseres på midtskjøten mellom de to brenselunderlagene.

Tilkobling av mottakeren

Ta mottakeren, med 4 knapper for CAS500 og 6 knapper for CAS1000, ta av brenselunderlaget og sett 3,5 mm-pluggen inn i kontakten på baksiden av apparatet (fig. 8). Mottakeren har en kabellengde på 1,4 m, som gjør at den kan plasseres hvor som helst rundt produktet. Dersom du foretrekker å skjule den, kan mottakeren plasseres innenfor innfatningen/veggen. Sørg for at mottakeren ikke er omgitt av metall betong eller annet tett materiale, det vil påvirke signalet fra fjernkontrollen.

Betjening av produktet

Dette avsnittet beskriver hvordan du aktiverer peiser ved hjelp av enten den manuelle kontrollen eller fjernkontrollen.

MANUELL KONTROLL

Den manuelle kontrollen er plassert under brenselunderlaget. Se fig. 5

CAS500

Hovedbryter "A": - Kontrollerer strømtilførselen til apparatet.

Merk: Bryteren må stå i "PÅ" (I)-stilling for at apparatet skal fungere.

Knappepanel "A": - Kontrollerer apparatets funksjon

- er på/standby-knappen. Trykk på den for å slå flammeeffekten på og av. Når den slås på, indikeres dette av at hovedlyset aktiveres. Selv om hovedlyset aktiveres umiddelbart, vil det ta ytterligere 45 sekunder før flammeeffekten starter.
- er Bluetooth-knappen. Den kobler (parer) fjernkontrollen til mottakeren. Se "Bruk av fjernkontrollen" for flere opplysninger
- er testmodus-knappen. Den brukes av produsenten og serviceteknikeren
- er knappen for reduksjon av flammen. Trykk på den for å redusere høyden/intensiteten på flammen. Du hører et pip minimumsnivået er nådd
- er knappen for å øke flammen. Trykk på den for å øke høyden/intensiteten på flammen. Du hører et pip når maksimumsnivået er nådd

- reduserer den sprakende lyden fra peisen. Trykk på den for å redusere volumet på den sprakende lyden fra peisen. Minimumsvolumet for dette er av
- øker den sprakende lyden fra peisen. Trykk på den for å øke den sprakende lyden fra peisen.

CAS1000

Hovedbryter "A": - Kontrollerer strømtilførselen til apparatet.

Merk: Bryteren må stå i "PÅ" (I)-stilling for at apparatet skal fungere.

Knappepanel "A": - Kontrollerer funksjonene på venstre side av apparatet.

- er på/standby-knappen. Trykk på den for å slå flammeeffekten på og av. Når den slås på, indikeres dette av at lyset aktiveres. Selv om hovedlyset aktiveres umiddelbart, vil det ta ytterligere 45 sekunder før flammeeffekten starter.
- er Bluetooth-knappen. Den kobler (parer) fjernkontrollen til mottakeren. Se "Bruk av fjernkontrollen" for flere opplysninger
- er testmodus-knappen. Den brukes av produsenten og serviceteknikeren
- er knappen for reduksjon av flammen. Trykk på den for å redusere høyden/intensiteten på flammen. Du hører et pip minimumsnivået er nådd
- er knappen for å øke flammen. Trykk på den for å øke høyden/intensiteten på flammen. Du hører et pip når maksimumsnivået er nådd
- reduserer den sprakende lyden fra peisen. Trykk på den for å redusere volumet på den sprakende lyden fra peisen. Minimumsvolumet for dette er av
- øker den sprakende lyden fra peisen. Trykk på den for å øke den sprakende lyden fra peisen.

Knappepanel "B" - Kontrollerer funksjonene på venstre side av apparatet

- er testmodus-knappen. Den brukes av produsenten og serviceteknikeren
- er knappen for reduksjon av flammen. Trykk på den for å redusere høyden/intensiteten på flammen. Du hører et pip minimumsnivået er nådd
- er knappen for å øke flammen. Trykk på den for å øke høyden/intensiteten på flammen. Du hører et pip når maksimumsnivået er nådd
- reduserer den sprakende lyden fra peisen. Trykk på den for å redusere volumet på den sprakende lyden fra peisen. Minimumsvolumet for dette er av
- øker den sprakende lyden fra peisen. Trykk på den for å øke lyden av spraking fra flammene.

SLIK FÅR DU ØNSKET FLAMMEEFFEKT

1. Slå apparatet på ved å trykke hovedbryteren til på-stilling og trykke på på/standby-knappen. Flammene begynner etter 45 sekunder. Flammene er på maksimal høyde i 5 sekunder, og reduseres deretter til innstilt nivå.
2. Trykk på og -knappene for å justere flammene til ønsket nivå. La flammegeneratoren få tid på seg til å reagere på endringene du gjør.
3. Apparatet må ikke vippe eller flyttes mens det er vann i tanken eller kummen.
4. Sørg for at apparatet står på en jevn overflate.

Når du har justert både flammehøyden og lyden av spraking fra flammene, vil apparatet beholde disse innstillingene selv om du slår av apparatet ved hjelp av på/standby-knappen eller hovedbryteren. Neste gang du slår på apparatet, vil det starte opp som vanlig, vent i 45 sekunder til flammene begynner, kjører på maksimal høyde i 5 sekunder og deretter går tilbake til de justerte innstillingene.

KONTROLLER PÅ BLUETOOTH-MOTTAKEREN





Det er to manuelle kontroller på Bluetooth-mottakeren

CAS500

- er på/standby-knappen. Trykk på den for å slå flammeeffekten på og av.
- er den sprakende lyden fra peisen. Trykk på den for å slå den sprakende lyden på og av. Volumet justeres med den manuelle kontrollen på apparatet.
- er knappen for reduksjon av flammen. Trykk på den for å redusere høyden/intensiteten på flammen. Du hører et pip minimumsnivået er nådd
- er knappen for å øke flammen. Trykk på den for å øke høyden/intensiteten på flammen. Du hører et pip når maksimumsnivået er nådd


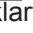
CAS1000

- er på/standby-knappen. Trykk på den for å slå flammeeffekten på og av.
- er den sprakende lyden fra peisen. Trykk på den for å slå den sprakende lyden på og av. Volumet justeres med den manuelle kontrollen på apparatet.

-  er knappen for å redusere flammene på venstre side av apparatet. Trykk på den for å redusere høyden/intensiteten på flammen. Du hører et pip minimumsnivået er nådd
-  er knappen for å øke flammene på venstre side av apparatet. Trykk på den for å øke høyden/intensiteten på flammen. Du hører et pip når maksimumsnivået er nådd
-  er knappen for å redusere flammen på høyre side av apparatet. Trykk på den for å redusere høyden/intensiteten på flammen. Du hører et pip minimumsnivået er nådd
-  er knappen for å øke flammene på høyre side av apparatet. Trykk på den for å øke høyden/intensiteten på flammen. Du hører et pip når maksimumsnivået er nådd

BLUETOOTH-FJERNKONTROLL

Fjernkontrollen er utstyrt med 2 AAA-batterier. Ta av batteridekselet fra undersiden av fjernkontrollen, og sett batteriene på plass etter å ha tatt batteriene ut av plastforpakningen. Sett batteridekselet på plass igjen.

Fjernkontrollen har Bluetooth-teknologi, og må kobles til (pares med) Bluetooth-mottakeren. Dette gjøres ved å trykke på  -knappen på knappepanel "A", LED-en vil begynne å blinke på og av. Dette er for å gi beskjed om at apparatet er klart til å kobles til fjernkontrollen. Trykk på  -knappen på fjernkontrollen. Apparatet slås av. Fjernkontrollen er nå koblet til (paret med) apparatet.

Fjernkontrollen betjenes på samme måte som beskrevet i "Mottakerkontroller". Du kan koble (pare) flere produkter til én fjernkontroll ved å gjenta tilkoblingsoperasjonen (paringen) som beskrevet ovenfor for hvert av produktene.

Fjernkontrollen betjenes på samme måte som beskrevet i "Bluetoothmottaker-kontroller".

Vedlikehold

GENERELLE RÅD

Bruk bare filtrert springvann i apparatet.

Sørg alltid for at apparatet sår på en jevn overflate.

Dersom du ikke har tenkt å bruke apparatet på mer enn 2 uker, bør du tømme kummen og vanntanken.

Når apparatet er installert, må det ikke flyttes eller legges på ryggen uten først å tappe ut vannet fra kummen og vanntanken.

RENGJØRING

Advarsel – Trykk alltid bryter "A" til "AV"- (0) stilling (fig. 10) og frakoble strømtilførselen før peisen rengjøres.

Vi anbefaler å rengjøre følgende komponenter annenhver uke, spesielt i områder med hardt vann: -

Vanntank, kum, dyse, tankhette og pakning, luftfilter.

Bruk en myk, ren stovklut for generell rengjøring – ikke bruk slipende rengjøringsmidler.

For å fjerne oppsamling av støv eller lo i utgangsgrillen på vifteovnen, kan den myke børsten på støvsugeren brukes.

Vanntank

1. Ta av vanntanken som beskrevet tidligere, legg den i en utslagsvask og tøm ut vannet.
2. Bruk den vedlagte børsten og gni den innvendige overflaten på hetten varsomt. Vær spesielt oppmerksom på gummiringen i det ytre sporet og gummipakningen i midten.
3. Tilsett en liten mengde oppvaskmiddel i tanken, fyll tanken og rist den godt, og skyll til alle spor av oppvaskmiddelet er borte.
4. Fyll med utelukkende filtrert springvann, sett på lokket, ikke trekk det for stramt til.

Kum

1. Trykk bryter "A" i "AV"- (0) stilling
2. Løft brenselunderlaget forsiktig ut og sett det på gulvet.
3. Ta av vanntanken ved å løfte den oppover.
4. Frakoble den elektriske forbindelsen på høyre side av kummen. (Fig. 5)
5. Løsne de høyre låsetappene ved å dreie dem 90°. Dermed kan kummen løftes helt opp. (Fig. 11)
6. Løft kummen forsiktig opp, og sørg for å holde den i vater slik at du ikke søler ut vann. Legg komponenten i utslagsvasken.
7. Løsne de venstre låsetappene ved å dreie dem 90°, løft deretter av dysen. (Fig. 3)
8. Løft ut omformeren og vipp den forsiktig som vist slik at væsken renner ut av kummen. (Fig. 13)
9. Legg litt oppvaskmiddel i kummen, og rengjør alle overflatene i kummen forsiktig med den vedlagte børsten. Rengjør omformeren forsiktig, inkludert metallskivene i den riflede overflaten på toppen. (Fig. 14)
10. Når den er rengjort, skal kummen skylles omhyggelig med rent vann for å fjerne alle spor av oppvaskmiddelet.
11. Rengjør dysen med børsten, og skyll den omhyggelig med vann. (Fig. 15)
12. Gjenta trinnene overfor i omvendt rekkefølge for å sette apparatet sammen.

Omformer

Omformeren er en forbruksvare det kan være nødvendig å bytte fra tid til annen, avhengig av bruksomfanget. Reserveomformere kan kjøpes fra vårt nettsted <http://spares.dimplex.co.uk>. Omformeren festes til kummen med en plastklips. Dersom du må bytte omformer

1. Følg trinn 1-5 i avsnittet RENGJØRING AV KUMMEN under "Vedlikehold" for å få tilgang til omformeren.
2. Trykk klipsen tilbake og løft omformeren ut av holderen.
3. Ta av kje gelen ved å dreie den med klokken, og plasser den på den nye omformeren. Drei kje gelen tett til mot klokken slik at den holdes på plass.
4. Følg trinn 5-1 for å sette sammen igjen

Luffilter

1. Løft brenselunderlaget forsiktig ut og sett det på gulvet.
2. Skyv luffilteret forsiktig oppover og ut av plasholderen. (Fig. 16)
3. Skyll forsiktig med vann i vasken, og tørk det med et stoffhåndkle før det settes tilbake.
4. Bytt filteret, og sørg for at det grove svarte filteret vender mot forsiden av peisen.
5. Sett brenselunderlaget tilbake.

Ytterligere informasjon

SERVICE

Produktgarantien er ett år etter kjøpsdatoen. I denne perioden vil vi foreta kostnadsfri reparasjon eller bytte av produktet (unntatt omformerskivene og med forbehold om tilgjengelighet) dersom det er blitt installert og betjent i overensstemmelse med disse instruksjonene. Dine rettigheter etter denne garantien er i tillegg til lovpålagte rettigheter, som ikke påvirker av denne garantien.

GJENVINNING



For elektriske produkter som selges innenfor EU – etter endt levetid for produktet det skal ikke kastes sammen med husholdningsavfall. Sørg for gjenvinning der det finnes slike anlegg. Sjekk med de lokale myndighetene eller forhandleren for råd om gjenvinning i ditt land.

PATENT / PATENTSØKNAD

Produktene i Optimyst-serien er beskyttet av en eller flere av følgende patenter og patentsøknader:

Storbritannia GB2460259B, GB2475794B, GB2418014, EP2029941, GB2436212, GB2402206B

USA US8413358, US8136276, US7967690, US8574086

Russland RU2434181

EU EP2029941, EP2315976, EP1787063 (A1), EP2388527, EP2029941,

Kina CN101883953A, CN102105746A, CN101057105 (A), CN101438104

Australia AU2009248743A1, AU2007224634

Canada CA2725214, CA2579444, CA2645939

Sør-Afrika ZA2008/08702

Mexico MX2008011712

Sør-Korea KR101364191


Japan JP5281417, JP5496291

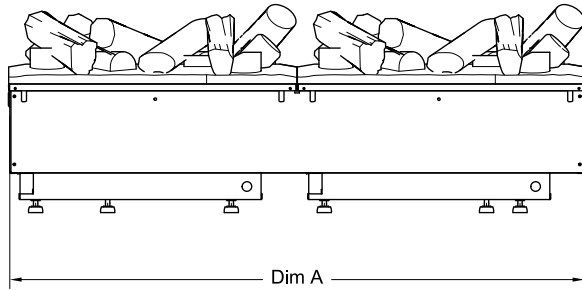
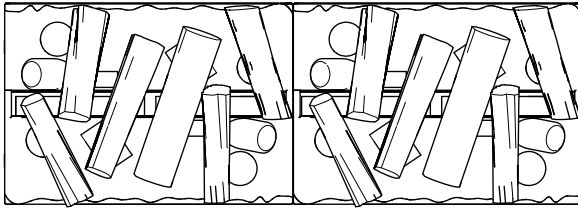
Brasil BRP10708894

India 4122/KOLNP/2008

New Zealand NZ571900

Feilretting

Symptom	Årsak	Korrigerende tiltak
Flammen vil ikke starte.	Strømpluggen er ikke koblet til. Lavt vannivå. Lav spenning, koblingen ikke ordentlig tilkoblet (Se fig. 10)	Sjekk at støpselet er satt ordentlig inn i stikkkontakten. Sjekk at vanntanken er full og at det er vann i kummen. Sjekk at konnektoren er korrekt satt inn. (Se fig. 10)
Flammeeffekten er for lav.	Kontrollknappen for flammeeffekt er satt for lavt. Skiven i omformerer kan være skitten. Ledningen fra omformerer går over skiven	Øk flammenivået ved å trykke på  på fjernkontrollen eller mottakeren Rengjør skiven med en myk børste Se "Vedlikehold" for en trinnvis fremgangsmåte. Før ledningen på baksiden av kummen og forsikre deg om at den kommer ut av sumpen gjennom sidesporet.
Ubehagelig lukt når enheten brukes.	Skittent eller gammelt vann. Det brukes ufiltrert springvann.	Rengjør enheten som beskrevet under vedlikehold. Bruk bare filtrert springvann.
Flammeeffekten avgir for mye røyk.	Flammeeffekt-innstillingen er for høy.	Skru ned flammeeffekten. La flammegeneratoren få tid til å justere seg til de nye innstillingene.



MODEL	DIM 'A'
CAS500	508mm
CAS1000	1017mm

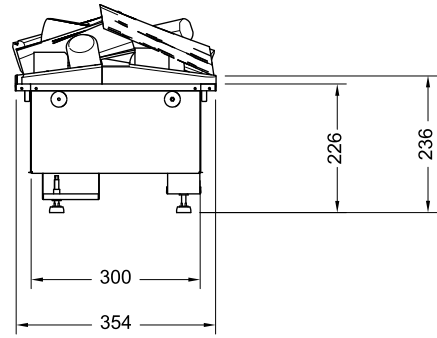


Fig.1

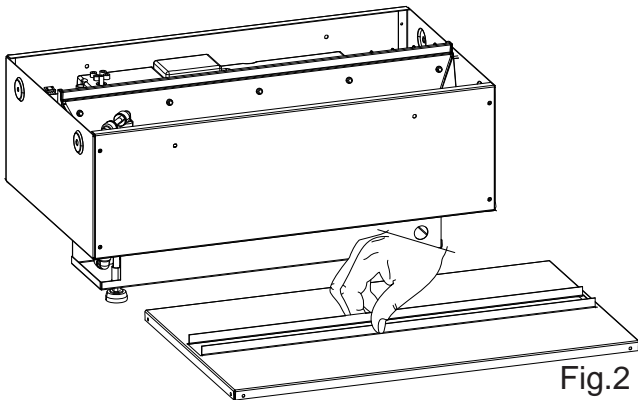


Fig.2

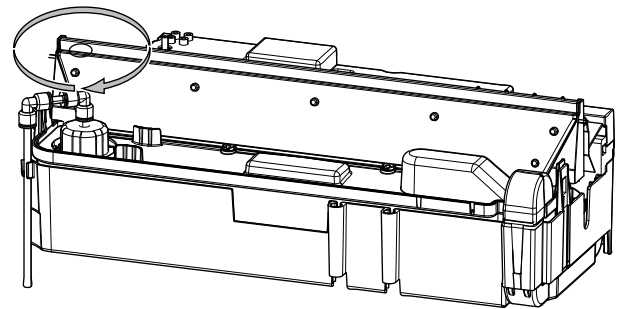


Fig.3a

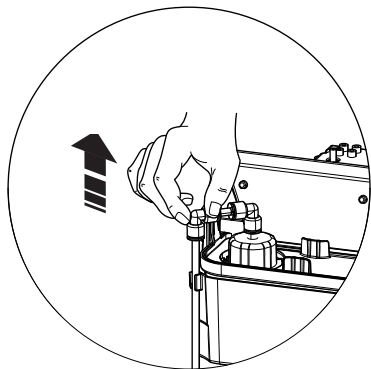


Fig.3b

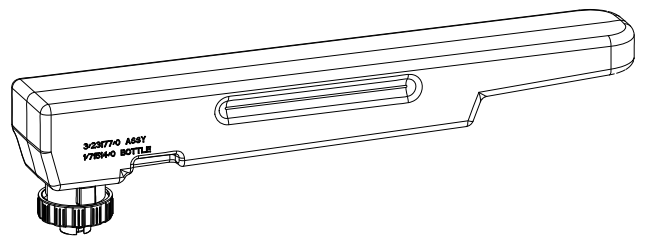


Fig.3c

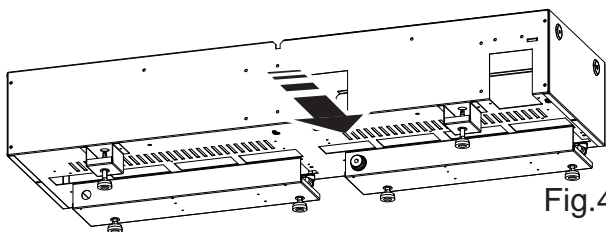


Fig.4

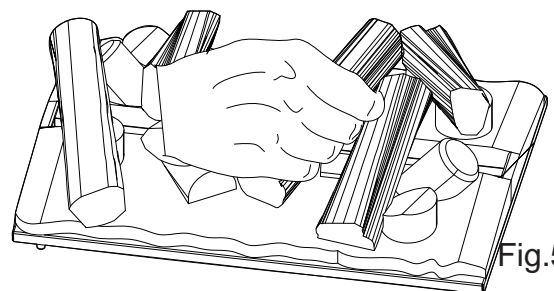


Fig.5

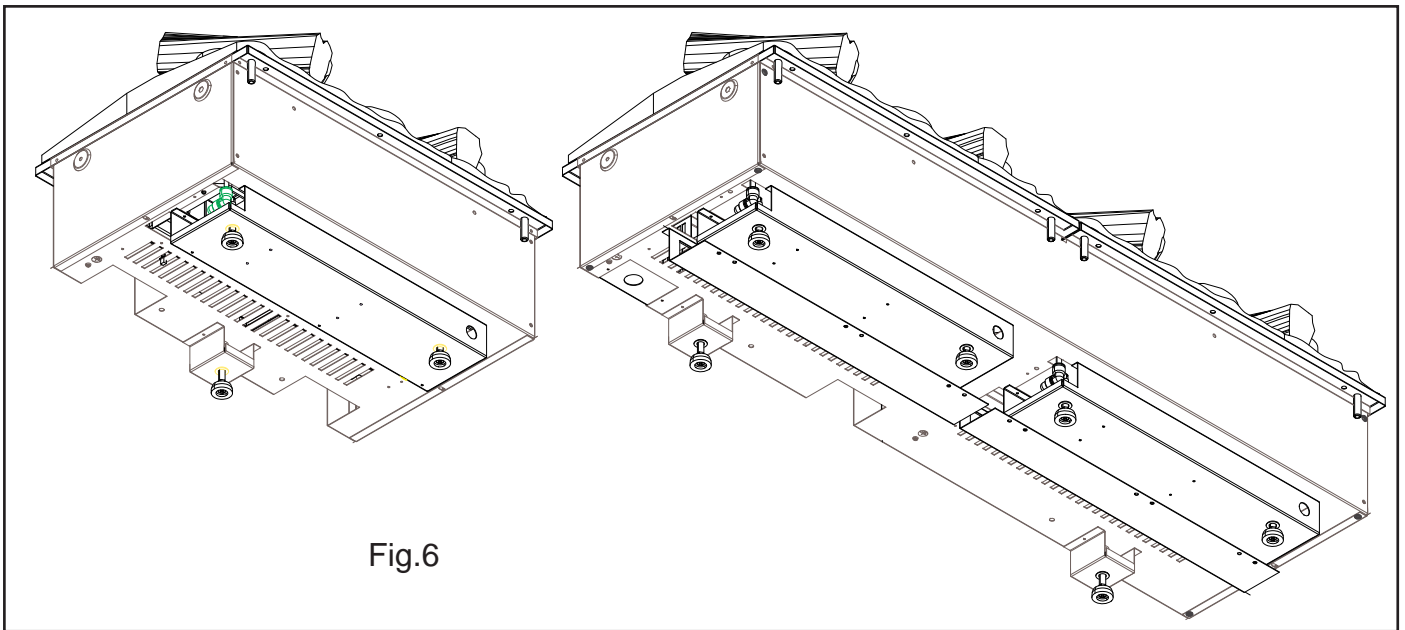


Fig.6

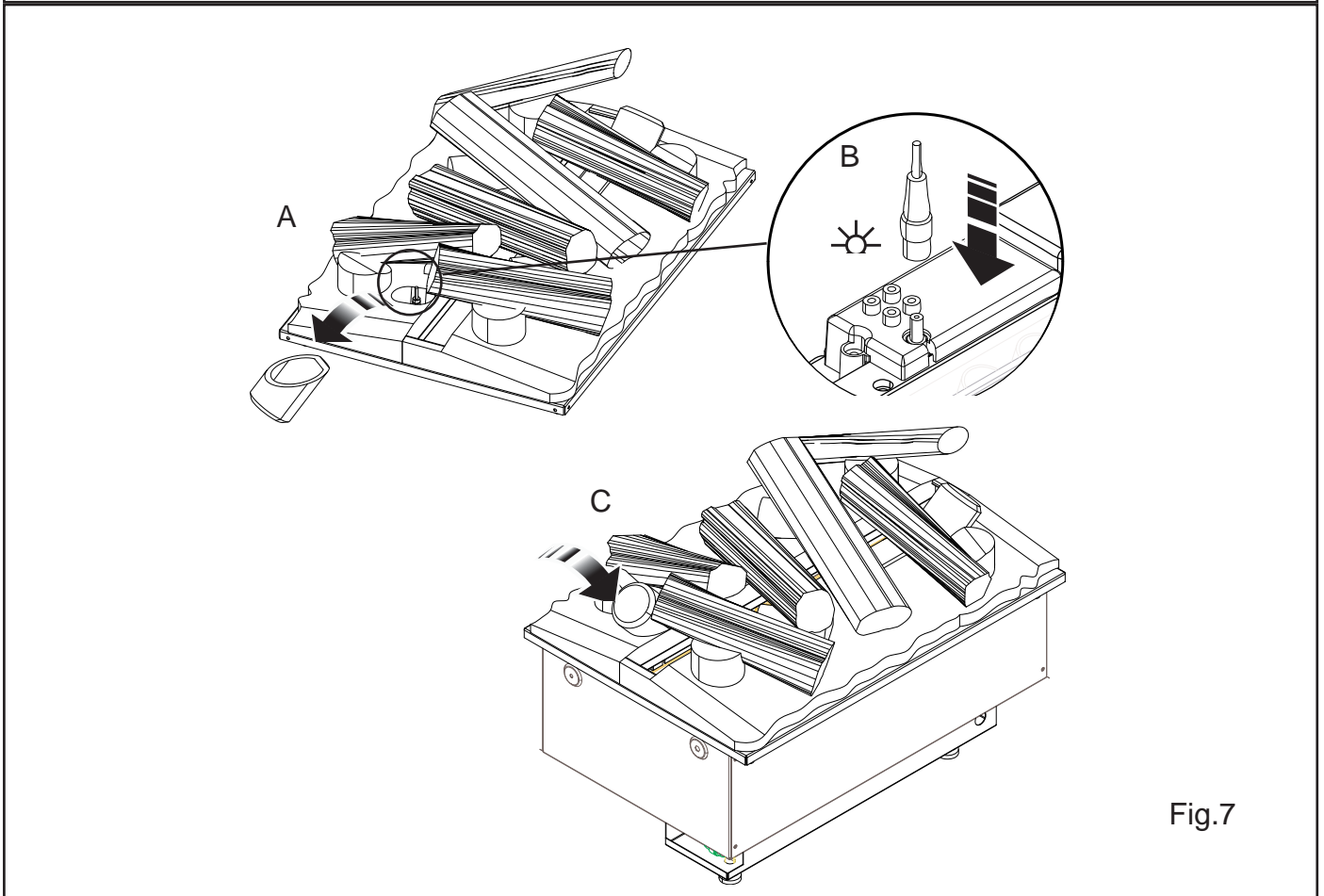


Fig.7

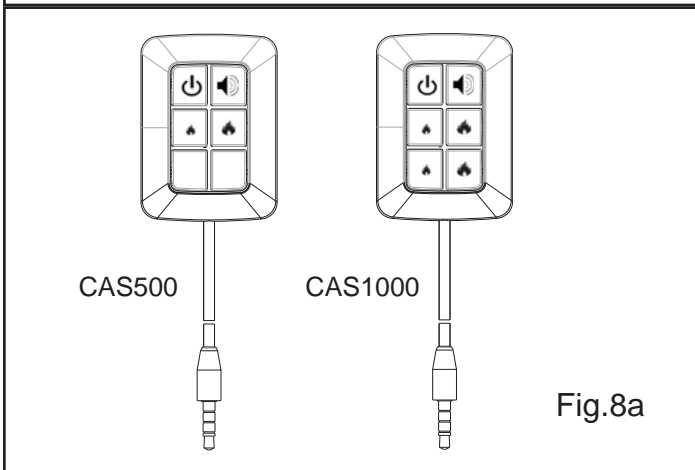


Fig.8a

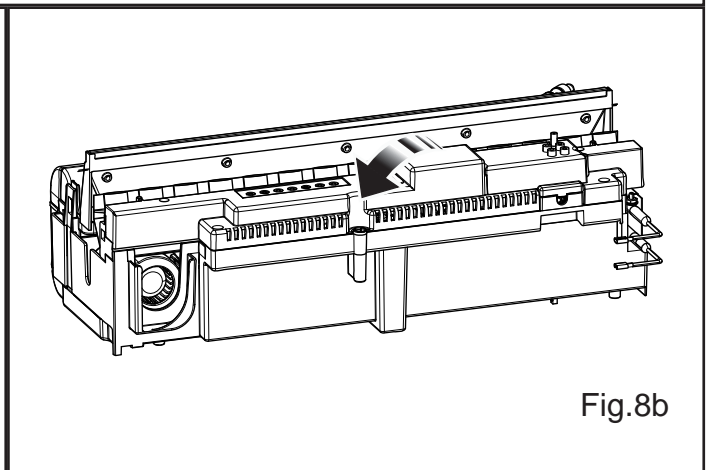
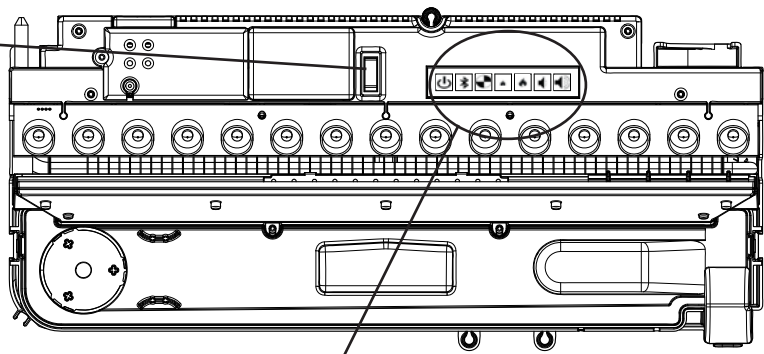
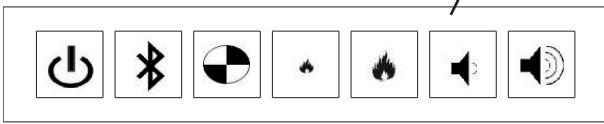


Fig.8b

Switch 'A'



CAS500



CAS1000

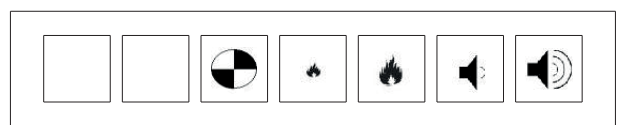
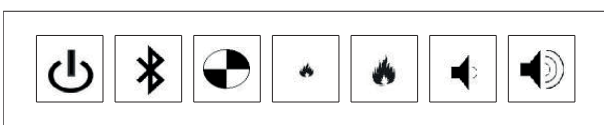


Fig.9

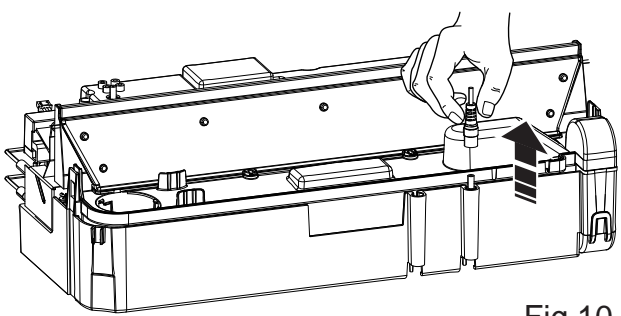


Fig.10

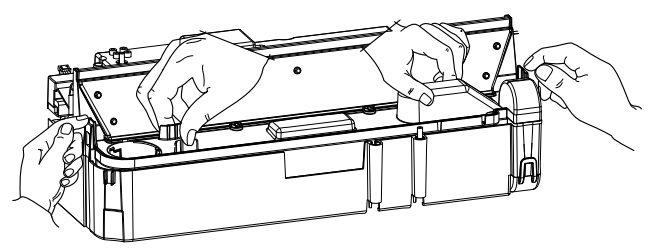


Fig.11

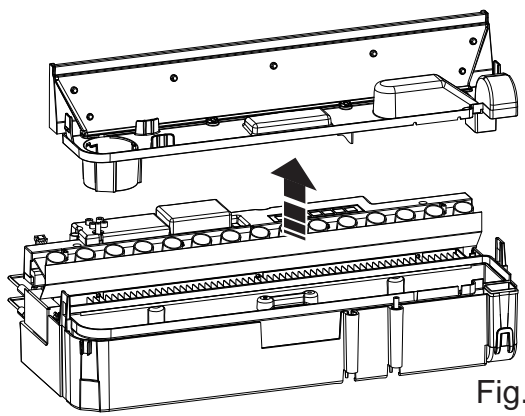


Fig.12

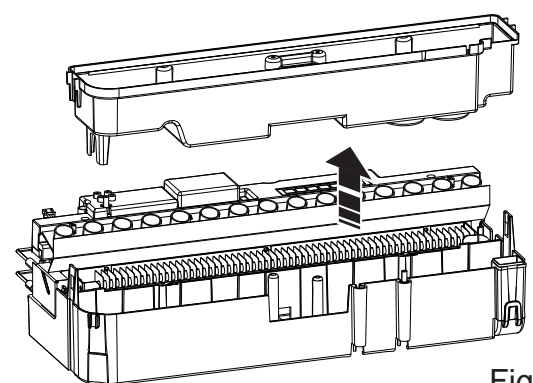


Fig.13

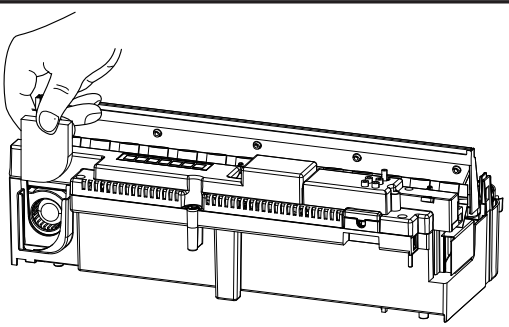
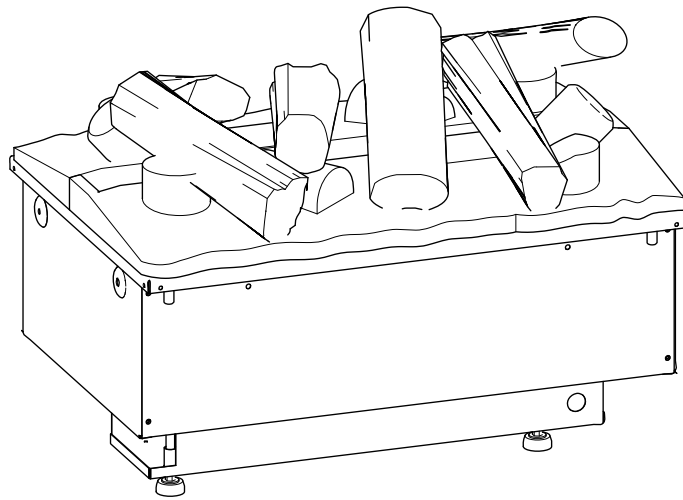
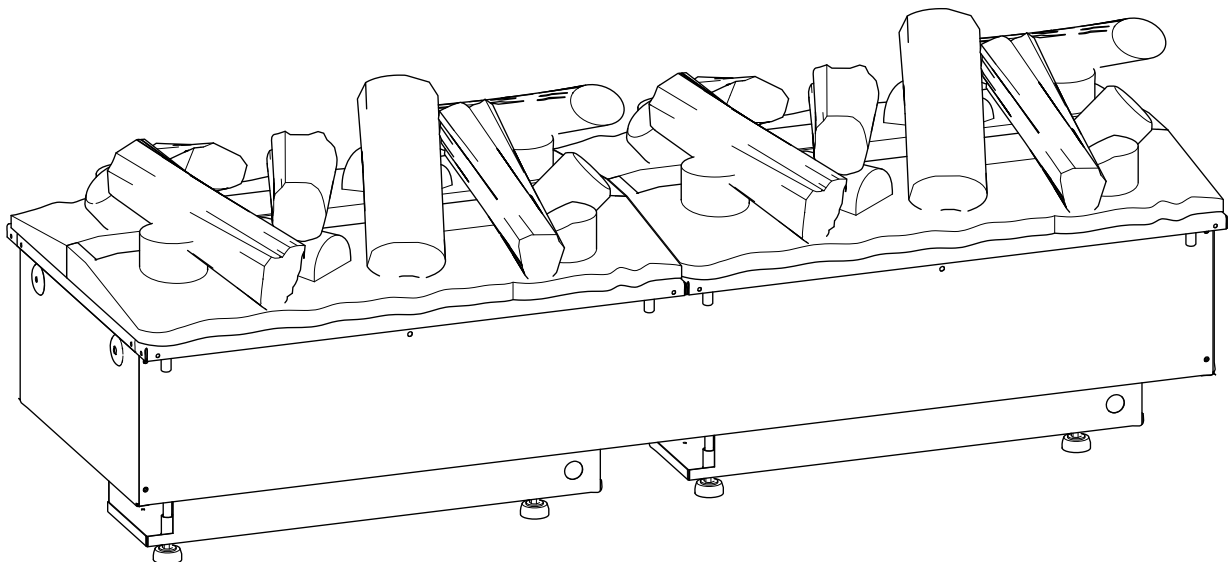


Fig.14

Dimplex



CAS500



CAS1000

Dimplex CAS500, CAS1000

Introduzione

Leggere con attenzione la presente guida per poter installare, utilizzare e conservare il prodotto nella massima sicurezza.

Istruzioni importanti per la sicurezza

Durante l'uso del prodotto adottare le misure di sicurezza valide per qualsiasi apparecchio elettrico, onde evitare incendi, scariche elettriche e lesioni alla persona. Prestare particolare attenzione alle seguenti raccomandazioni:

Se il prodotto risulta danneggiato, rivolgersi al fornitore prima di installarlo e utilizzarlo.

Non utilizzare l'apparecchio all'aperto.

Non utilizzare l'unità nelle immediate vicinanze di bagni, docce o piscine.

Non collocare l'apparecchio direttamente sotto una presa di corrente o una scatola di connessione.

Questa apparecchiatura può essere usata da bambini a partire dagli 8 anni e da adulti con limitate capacità fisiche, sensoriali o mentali o con scarsa esperienza o conoscenza sull'uso dell'apparecchiatura, solamente se sorvegliati o se sono stati istruiti relativamente all'uso dell'apparecchiatura e se hanno compreso i rischi che comporta. Impedire ai bambini di giocare con l'apparecchio. La pulizia e gli interventi di manutenzione non devono essere eseguiti dai bambini senza supervisione.

In mancanza di costante supervisione, i bambini con meno di 3 anni di età devono essere tenuti a distanza.

I bambini con età compresa tra i 3 e gli 8 anni, possono accendere/spegnere l'apparecchio se lo stesso è posizionato o installato nella normale posizione di funzionamento, se sottoposti a supervisione o istruiti relativamente all'uso sicuro dello stesso e se hanno compreso i rischi che comporta. I bambini con un'età compresa tra i 3 e gli 8 anni non devono eseguire le operazioni di collegamento, regolazione, pulizia e di manutenzione dell'apparecchio.

ATTENZIONE: alcune parti del prodotto possono diventare molto calde e provocare ustioni. È necessario prestare particolare attenzione in presenza di bambini e persone vulnerabili.

Non utilizzare l'apparecchio con un dispositivo di controllo termico, un controller di programma, un timer o qualsiasi altro dispositivo che accenda lo automaticamente, poiché, qualora questo venisse accidentalmente coperto o spostato si potrebbero verificare incendi.

Non lasciare mobili, tende o altro materiale potenzialmente infiammabile a meno di 1 metro dall'apparecchio.

In caso di guasti, scollegare l'apparecchio dalla presa di corrente.

Se si prevede di non utilizzare l'apparecchio per un certo periodo, scollegarlo dalla presa di corrente.

Sebbene il prodotto sia conforme alle norme di sicurezza, se ne sconsiglia l'utilizzo su moquette o tappeti a pelo lungo.

Posizionare l'unità in modo che la spina sia facilmente raggiungibile.

In caso di danni al cavo di alimentazione, farlo sostituire dal produttore, da un tecnico dell'assistenza o da chiunque possieda le competenze necessarie a eseguire l'operazione in condizioni di sicurezza.

Tenere il cavo di alimentazione lontano dalla parte anteriore dell'apparecchio.

AVVERTENZA: Non coprire il caminetto onde evitare che si surriscaldi. Non collocare materiale o indumenti sull'apparecchio, non ostacolare in alcun modo la circolazione dell'aria intorno al medesimo.

L'apparecchio reca il simbolo di avvertenza NON COPRIRE. 

Questo apparecchio non è dotato di un dispositivo di controllo dell'ambiente. Non utilizzare questo apparecchio in ambienti piccoli se occupati da persone non autonome e non in grado di lasciare la stanza da soli, salvo in presenza di una costante supervisione.

Informazioni generali

Usare esclusivamente acqua filtrata per questo apparecchio.

Rimuovere con cautela il prodotto dall'imballaggio e conservare l'imballaggio per un eventuale trasloco o necessità di riconsegnare l'apparecchio al fornitore.

Accertarsi sempre che l'apparecchio poggi su una superficie piana.

L'apparecchio produce esclusivamente un effetto fiamma.

Esso è concepito per essere inserito in un'incorniciatura o incorporato in un muro.

Prima di collegare l'apparecchio all'alimentazione, verificare che la tensione di rete corrisponda alla tensione indicata sull'apparecchio.

Nota: Se l'ambiente in cui l'apparecchio viene usato è particolarmente silenzioso, è possibile percepire il rumore prodotto dall'effetto fiamma. Si tratta di un fenomeno del tutto normale che non deve suscitare preoccupazione.

Una volta installato, non spostare l'apparecchio né appoggiarlo sul dorso senza aver svuotato la vasca di raccolta e il serbatoio dell'acqua.

Il serbatoio dell'acqua, la vasca di raccolta, il coperchio della vasca di raccolta, il tappo del serbatoio e i filtri dell'aria devono essere puliti una volta ogni due settimane, in particolare nelle zone con acqua dura.

Se si prevede di non utilizzare l'apparecchio per più di 2 settimane, svuotare la vasca di raccolta e il serbatoio dell'acqua e asciugare la vasca.

La vasca ed il serbatoio dell'acqua di questo prodotto vengono trattati con un prodotto biocida denominato Silver Biocide. Ciò è conforme al più recente standard ISO corrispondente

Non bere l'acqua della vasca di raccolta o del serbatoio(i) dell'acqua

Questo apparecchio deve restare collegato in permanenza alla rete idrica e no collegato saltuariamente tramite tubo flessibile

Istruzioni per l'installazione

Questa sezione descrive come installare il caminetto.

PRIMA DI INIZIARE

1. Accertarsi di aver rimosso tutti gli elementi dell'imballaggio (leggere con attenzione le etichette di avvertenza) e conservarli per eventuale necessità futura.
2. Prima di collegare l'apparecchio all'alimentazione, verificare che la tensione di rete corrisponda alla tensione indicata sull'apparecchio.
3. Accertarsi che l'apparecchio poggi su una superficie piana
4. Sollevare la piastra metallica superiore per poter accedere all'apparecchio. Conservare la piastra superiore con l'imballaggio per eventuale necessità futura. (Fig. 2)

Guida per l'installazione

Questo prodotto può essere incorporato in un muro, incorniciatura o struttura. Tener conto delle dimensioni prodotto indicate in Fig. 1 e realizzare il muro, l'incorniciatura o la struttura di conseguenza. Si devono lasciare almeno 400 mm dalla base del piano del combustibile a qualunque scaffale/alloggiamento che si trovi sopra l'apparecchio. In tal modo si lascia uno spazio sufficiente sopra l'apparecchio per consentire alle fiamme di prender forma completamente senza ostacoli.

Questo apparecchio deve avere una ventilazione libera dal basso per funzionare correttamente. La ventilazione libera aiuta a raffreddare i componenti elettronici, consentendo alle nebbie formatesi di fuoriuscire dalla vasca di raccolta e sollevarsi dall'apparecchio senza sforzo.

L'AREA DI LIBERA VENTILAZIONE CHE IL MODELLO CAS500 RICHIEDE È DI ALMENO 210 CM².

L'AREA DI LIBERA VENTILAZIONE CHE IL MODELLO CAS1000 RICHIEDE È DI ALMENO 420 CM².

Modello per incorniciatura

I modelli CAS500 e CAS1000 sono concepiti per essere inseriti in un'incorniciatura o incorporati in un muro/parete. Servendosi delle quote riportate in Fig. 1 è possibile realizzare un alloggiamento per l'apparecchio. Assicurarsi di lasciare spazio sotto e attorno all'apparecchio per il collegamento dell'acqua e quello elettrico. Una volta preparata l'incorniciatura/parete, è possibile inserirvi l'apparecchio. Posizionare il piano del combustibile con il tronco illuminato a LED in modo da riuscire a centrare l'apparecchio, vedere sezione 'Installazione piano combustibile con tronco a LED'. Una volta stabilita una posizione, sollevare il piano del combustibile e, utilizzando viti adatte per l'incorniciatura/parete, avvitarle nei fori realizzati nei pannelli laterali sinistro e destro fissando così l'apparecchio al suo posto.

Alimentazione dell'acqua

L'apparecchio può funzionare usando il serbatoio(i) dell'acqua fornito o effettuando il collegamento alla rete idrica.

Serbatoio(i) dell'acqua: Bisogna togliere il 'Tappo di riempimento' dalla vasca. (Fig. 3a e Fig. 3b). Collocare il serbatoio(i) dell'acqua (Fig. 3C) nella vasca e togliere il tappo (ruotare in senso antiorario). Riempire il serbatoio solamente con **acqua di rubinetto filtrata**. Questo è necessario per prolungare la vita dell'unità che produce la fiamma e il fumo. L'acqua deve essere filtrata mediante un comune sistema di filtraggio dell'acqua domestica e il filtro deve essere sostituito regolarmente. **Evitare** categoricamente di utilizzare acqua distillata.

Acqua delle rete: Se si decide di far arrivare l'acqua della rete idrica all'apparecchio, conservare a parte il falcone(i) con la relativa placca metallica superiore e l'imballaggio. Si può utilizzare la valvola di perforazione (in dotazione) per effettuare il collegamento all'alimentazione dell'acqua di rete nel modo seguente:

1. Fissare la valvola di perforazione sul tubo dell'acqua: tubo da 1/2" (12,7 mm) max.
2. Collegare un tubo in PVC da 1/4" (6,35 mm) (non fornito) dalla valvola di perforazione al filtro dell'acqua fornito e poi all'apparecchio (Fig. 4).
3. Ruotare il rubinetto della valvola in senso orario per forare il tubo flessibile dell'acqua. Ruotare il rubinetto in senso antiorario per consentire all'acqua di passare attraverso la valvola. È possibile chiudere l'acqua diretta all'apparecchio ruotando il rubinetto sulla valvola in senso orario fino all'arresto del flusso.
4. Attivare la valvola a sfera interna. Questa è posizionata sotto la vasca. Rimuovere la vasca di raccolta come descritto nella sezione 'Pulizia' della Manutenzione

Nota: la pressione dell'acqua è compresa tra 8 bar (800 Kilopascal) e 0,5 bar (50 Kilopascal).

Se non si è sicuri di realizzare correttamente questo collegamento, rivolgersi a un idraulico qualificato per avere la certezza di un'installazione sicura e protetta.

Collegamento elettrico

Collegare l'apparecchio a una presa da 13 A/240 V. Accertarsi di avere accesso alla spina al termine dell'installazione per permettere il distacco. Accertarsi che il cavo dell'alimentazione esca davanti al caminetto, sull'angolo destro o sinistro a seconda della presa di alimentazione più vicina, e fare attenzione che non sia schiacciato sotto il caminetto altrimenti potrebbe danneggiarsi. Se si collegano più elettrodomestici alla stessa presa, assicurarsi di non collegarne insieme più di 5. Se il numero di apparecchi è superiore è meglio collegarli ad un circuito diverso.

L'apparecchio può essere collegato all'impianto elettrico fisso dello stabile tramite una scatola di connessione idonea posta in posizione adiacente all'apparecchio. Tale impianto elettrico deve essere realizzato da un elettricista competente e rispettare completamente le norme I.E.E in vigore per Impianti Elettrici negli Edifici.

L'elettricista può togliere la spina in dotazione nel modo seguente:

1. Sollevare il piano del combustibile e portare il commutatore "A" in posizione OFF (Fig. 9).
2. Assicurarsi che l'apparecchio sia scollegato dalla presa.
3. Sollevare il coperchio di accesso togliendo prima la vite di fermo (Fig. 15).
4. Svitare e rimuovere i fili di Fase, Neutro e Terra.
5. Svitare il morsetto (Fig. 16 "A") e togliere il cavo di alimentazione.

L'elettricista può quindi collegare il filo dell'apparecchio (effettuando le operazioni sopra descritte al contrario) alla scatola di connessione, assicurandosi che incorpori un sezionatore a doppio polo con separazione tra i contatti di almeno 3 mm. Marrone - Fase (L), Blu - Neutro (N) e Verde/Giallo - Terra (E).

Installazione del piano combustibile con tronco a LED

Questo apparecchio è dotato di un 'piano combustibile in metallo'. Prima di installare il piano combustibile con tronco a LED, bisogna sollevare tale piano combustibile in metallo e metterlo da parte, (Fig. 2). Lo si può conservare per un futuro utilizzo. Estrarre delicatamente il piano combustibile con tronco a LED dal suo imballaggio. **ATTENZIONE: Fare attenzione a sollevare solamente il piano combustibile prendendolo per i due ceppi centrali (Fig. 5). Sono gli elementi più robusti.** Sistemare il piano combustibile alla sommità dell'apparecchio, servendosi delle 4 guide in plastica che si trovano sotto il piano stesso come riferimento, (Fig. 6). Il piano combustibile può essere collocato con il davanti verso il dietro o con il dietro verso il davanti, sta al cliente scegliere come orientarlo in base alle sue preferenze. Una volta in posizione, sollevare il tronchetto sciolto, esso sarà tenuto in posizione tramite magneti. Sotto questo tronchetto è presente un jack per filo CC ed un foro passante sul piano combustibile. Collegarlo al corrispondente jack per filo CC sull'apparecchio attraverso i fori nel piano combustibile, (Fig. 7). A questo punto l'installazione è fatta e si può procedere all'accensione.

Nell'imballaggio del piano combustibile è presente anche un ceppo a parte privo di LED. Per il modello CAS500 questo può essere posizionato sopra il piano combustibile o messo via con l'imballaggio. Per il modello CAS1000 il ceppo a parte può essere collocato sulla giunzione centrale dei due piani combustibile.

Collegamento del ricevitore

Prendere il ricevitore, a 4 pulsanti per il modello CAS500 e a 6 pulsanti per il modello CAS1000 e, con piano combustibile rimosso, inserire il jack da 3,5 mm nella presa sul retro dell'apparecchio (Fig. 8). Il ricevitore ha un cavo lungo 1,4 m che consente di posizionarlo in qualsiasi punto attorno all'apparecchio. Se si preferisce nascondere, il ricevitore può essere collocato all'interno dell'incorniciatura/parete. Accertarsi che il ricevitore non venga chiuso in elementi o strutture di metallo, calcestruzzo o di qualunque altro tipo di materiale denso, perché questo ostacolerebbe il segnale del telecomando.

Messa in funzione dell'apparecchio

Questa sezione descrive come attivare il caminetto utilizzando i comandi manuali o il telecomando.

COMANDI MANUALI






I comandi manuali si trovano sotto il piano del combustibile. Vedere Fig. 5

CAS500

Interruttore di rete "A":- Controlla l'alimentazione elettrica dell'apparecchio.

Nota: Questo interruttore deve essere in posizione 'ON' (I) perché l'apparecchio possa funzionare

Pannello pulsanti "A":- Controlla il funzionamento dell'apparecchio

-  è il pulsante di accensione/attesa (on/standby). Premerlo per accendere e spegnere l'effetto fiamma. L'attivazione viene indicata dall'accensione delle luci principali. Sebbene le luci principali si attivino immediatamente, saranno necessari altri 45 secondi prima dell'avviamento dell'effetto fiamma.
-  è il pulsante Bluetooth. Consente di accoppiare il telecomando al ricevitore. Per i particolari, vedere 'Funzionamento del telecomando'
-  è il pulsante della modalità di prova. Esso verrà utilizzato dal costruttore e dal tecnico dell'assistenza
-  è il pulsante di riduzione fiamma. Premerlo per ridurre l'altezza/intensità della fiamma. Quando si raggiunge il livello minimo si udirà un bip sonoro
-  è il pulsante di aumento fiamma. Premerlo per aumentare l'altezza/intensità della fiamma. Quando si raggiunge il livello massimo si udirà un bip sonoro

- è il pulsante di riduzione del crepitio della fiamma. Premerlo per ridurre il volume del suono del crepitio. Il volume minimo si raggiunge allo spegnimento
- è il pulsante di aumento del crepitio della fiamma. Premerlo per aumentare il volume del suono del crepitio.

CAS1000

Interruttore di rete "A":- Controlla l'alimentazione elettrica dell'apparecchio.

Nota: Questo interruttore deve essere in posizione 'ON' (I) perché l'apparecchio possa funzionare

Pannello pulsanti "A":- Controlla il funzionamento del lato sinistro dell'apparecchio

- è il pulsante di accensione/attesa (on/standby). Premerlo per accendere e spegnere l'effetto fiamma. L'attivazione viene indicata dall'accensione delle luci. Sebbene le luci principali si attivino immediatamente, saranno necessari altri 45 secondi prima dell'avviamento dell'effetto fiamma.
- è il pulsante Bluetooth. Consente di accoppiare il telecomando al ricevitore. Per i particolari, vedere 'Funzionamento del telecomando'
- è il pulsante della modalità di prova. Esso verrà utilizzato dal costruttore e dal tecnico dell'assistenza
- è il pulsante di riduzione fiamma. Premerlo per ridurre l'altezza/intensità della fiamma. Quando si raggiunge il livello minimo si udirà un bip sonoro
- è il pulsante di aumento fiamma. Premerlo per aumentare l'altezza/intensità della fiamma. Quando si raggiunge il livello massimo si udirà un bip sonoro
- è il pulsante di riduzione del crepitio della fiamma. Premerlo per ridurre il volume del suono del crepitio. Il volume minimo si raggiunge allo spegnimento
- è il pulsante di aumento del crepitio della fiamma. Premerlo per aumentare il volume del suono del crepitio.

Pannello pulsanti "B":- Controlla il funzionamento del lato sinistro dell'apparecchio

- è il pulsante della modalità di prova. Esso verrà utilizzato dal costruttore e dal tecnico dell'assistenza
- è il pulsante di riduzione fiamma. Premerlo per ridurre l'altezza/intensità della fiamma. Quando si raggiunge il livello minimo si udirà un bip sonoro
- è il pulsante di aumento fiamma. Premerlo per aumentare l'altezza/intensità della fiamma. Quando si raggiunge il livello massimo si udirà un bip sonoro
- è il pulsante di riduzione del crepitio della fiamma. Premerlo per ridurre il volume del suono del crepitio. Il volume minimo si raggiunge allo spegnimento
- è il pulsante di aumento del crepitio della fiamma. Premerlo per aumentare il volume del suono del crepitio.

IMPOSTARE L'EFFETTO FIAMMA DESIDERATO

1. Accendere l'apparecchio premendo l'interruttore principale in posizione ON e il pulsante di accensione/attesa (on/standby). Il fuoco si accende dopo 45 secondi. Le fiamme resteranno alla massima altezza per 5 secondi, poi si abbasseranno al livello normale previsto
2. Premere e i pulsanti per regolare la fiamma al livello desiderato. Attendere qualche istante per consentire al generatore di fiamma di reagire alle modifiche impostate.
3. Non inclinare o spostare l'apparecchio quando c'è dell'acqua nel serbatoio o nella vasca di raccolta
4. Accertarsi che l'apparecchio poggi su una superficie piana

Una volta effettuate le regolazioni per l'altezza della fiamma e il suono del crepitio, l'apparecchio terrà in memoria queste impostazioni anche in caso di spegnimento dell'apparecchio con il pulsante di accensione/attesa (on/standby) o l'interruttore principale. La prossima volta che si accende l'apparecchio, esso comincerà come al solito, cioè con un'attesa di 45 secondi per la comparsa delle fiamme, funzionerà alla massima altezza per 5 secondi e infine si assesterà sulle impostazioni immesse.

COMANDI DEL RICEVITORE BLUETOOTH




Sul ricevitore Bluetooth vi sono dei comandi manuali

CAS500

- è il pulsante di accensione/attesa (on/standby). Premerlo per accendere e spegnere l'effetto fiamma.
- è il pulsante del suono del crepitio. Premerlo per accendere e spegnere il suono del crepitio. Il volume si regola con i comandi manuali dell'apparecchio
- è il pulsante di riduzione fiamma. Premerlo per ridurre l'altezza/intensità della fiamma. Quando si raggiunge il livello minimo si udirà un bip sonoro
- è il pulsante di aumento fiamma. Premerlo per aumentare l'altezza/intensità della fiamma. Quando si raggiunge il livello massimo si udirà un bip sonoro



CAS1000

- è il pulsante di accensione/attesa (on/standby). Premerlo per accendere e spegnere l'effetto fiamma.
- è il pulsante del suono del crepitio del fuoco. Premerlo per accendere e spegnere il suono del crepitio. Il volume si regola con i comandi manuali dell'apparecchio
- è il pulsante di riduzione fiamma per il lato sinistro dell'apparecchio. Premerlo per ridurre l'altezza/intensità della fiamma. Quando si raggiunge il livello minimo si udirà un bip sonoro

-  è il pulsante di aumento fiamma per il lato sinistro dell'apparecchio. Premerlo per aumentare l'altezza/intensità della fiamma. Quando si raggiunge il livello massimo si udirà un bip sonoro
-  è il pulsante di riduzione fiamma per il lato destro dell'apparecchio. Premerlo per ridurre l'altezza/intensità della fiamma. Quando si raggiunge il livello minimo si udirà un bip sonoro
-  è il pulsante di aumento fiamma per il lato destro dell'apparecchio. Premerlo per aumentare l'altezza/intensità della fiamma. Quando si raggiunge il livello massimo si udirà un bip sonoro

TELECOMANDO BLUETOOTH

Il telecomando viene fornito con 2 batterie AAA. Togliere il coperchietto del vano batterie da sotto il telecomando e, dopo aver tolto le batterie dall'avvolgimento in plastica, inserirle nelle rispettive posizioni. Chiudere il coperchio della batteria.

Il telecomando è dotato di tecnologia Bluetooth e deve essere accoppiato al ricevitore Bluetooth. A tale scopo, premere il  pulsante del pannello pulsanti 'A', in tal modo i LED cominceranno a lampeggiare. Ciò consente di sapere che l'apparecchio è pronto per essere collegato al telecomando. Premere il  pulsante sul telecomando. L'apparecchio si spegnerà. Ora il telecomando è accoppiato all'apparecchio.

Il funzionamento del telecomando è lo stesso di quanto descritto in 'Comandi ricevitore'. Si possono accoppiare diversi dispositivi ad un singolo telecomando ripetendo l'operazione di abbinamento sopra descritta per i dispositivi interessati.

Il funzionamento del telecomando è lo stesso di quanto descritto in 'Comandi ricevitore Bluetooth'.

Manutenzione

SUGGERIMENTI

Questo apparecchio richiede esclusivamente l'uso di acqua di rubinetto filtrata.

Accertarsi sempre che l'apparecchio poggi su una superficie piana.

Se si prevede di non utilizzare l'apparecchio per più di 2 settimane, rimuovere e svuotare la vasca di raccolta e il serbatoio dell'acqua.

Una volta installato, non spostare l'apparecchio né appoggiarlo sul dorso senza aver svuotato la vasca di raccolta e il serbatoio dell'acqua.

PULIZIA

Avvertenza – Portare sempre l'interruttore 'A' in posizione 'OFF' (0) (Fig. 10) e scollegare sempre l'alimentazione di rete prima di pulire l'apparecchio.

Si raccomanda di pulire i seguenti componenti ogni 2 settimane, soprattutto in zone con acqua dura:-

Serbatoio dell'acqua, vasca di raccolta, ugello, tappo e guarnizione serbatoio, filtro dell'aria.

Per la pulizia usare un panno morbido per la polvere; non utilizzare mai detersivi abrasivi.

Per rimuovere l'accumulo di polvere o lanugine, pulire di tanto in tanto la griglia di mandata della ventola con l'accessorio a spazzola morbida di un aspirapolvere.

Serbatoio dell'acqua

1. Rimuovere il serbatoio dell'acqua come descritto prima, metterlo nel lavandino e vuotare l'acqua.
2. Usando la spazzola fornita, sfregare con delicatezza le superfici interne del tappo facendo particolare attenzione all'anello di gomma della scanalatura esterna e alla guarnizione in gomma centrale.
3. Mettere una piccola quantità di detersivo nel Serbatoio, chiudere con il tappo e agitare bene, quindi sciacquare finché non è stata rimossa ogni traccia di detersivo.
4. Riempire solo con acqua filtrata di rubinetto, rimettere il tappo, senza stringere eccessivamente.

Vasca di raccolta

1. Premere l'interruttore 'A' in posizione (0) 'OFF'
2. Sollevare delicatamente il piano del combustibile e metterlo a terra facendo attenzione.
3. Rimuovere il serbatoio dell'acqua sollevandolo verso l'alto.
4. Scollegare il connettore elettrico, situato sul lato posteriore della vasca di raccolta. (Fig. 5).
5. Sbloccare le linguette di fissaggio della vasca di raccolta sulla destra eseguendo una rotazione di 90°. In questo modo la vasca può essere completamente sollevata dalla sua posizione. (Fig. 11)
6. Sollevare delicatamente il gruppo vasca di raccolta, facendo attenzione a non inclinarlo in modo da non far fuoriuscire l'acqua. Collocare il gruppo in un lavandino.
7. Sbloccare le alette di fissaggio della vasca di raccolta sulla sinistra eseguendo una rotazione di 90°, quindi aprire l'ugello sollevandolo. (Fig. 3)
8. Estrarre il trasduttore e inclinarlo attentamente, come mostrato in figura, in modo che il liquido fuoriesca dalla vasca di raccolta (Fig. 13)
9. Versare una piccola quantità di detersivo nella vasca di raccolta e usando la spazzola fornita, pulire delicatamente tutte le superfici della vasca, quindi pulire delicatamente il trasduttore, compresi i dischi di metallo situati nella superficie scanalata superiore. (Fig. 14)
10. Una volta pulita, sciacquare accuratamente la vasca di raccolta con acqua pulita per rimuovere tutte le tracce di detersivo.
11. Pulire l'ugello con la spazzola quindi sciacquare accuratamente con acqua. (Fig. 15)
12. Ripetere i passaggi di cui sopra al contrario per rimontare il gruppo.

Trasduttore

Il trasduttore è un articolo di consumo e può aver bisogno di essere sostituito di tanto in tanto, a seconda dell'uso che se ne fa. I trasduttori di ricambio possono essere acquistati dal nostro sito web: <http://spares.dimplex.co.uk>. Il trasduttore è fissato nella vasca per mezzo di un fermaglio di plastica. Se si deve sostituire il proprio trasduttore

1. Seguire i punti 1-5 nella sezione PULIZIA Vasca di raccolta in 'Manutenzione' per poter accedere al trasduttore
2. Aprire il fermaglio e alzare il trasduttore verso l'alto fino a staccarlo dal suo supporto.
3. Rimuovere il cono ruotandolo in senso orario e collocarlo nel nuovo trasduttore. Ruotare il cono in senso antiorario fino a quando è stretto e fisso in posizione.
4. Per il rimontaggio eseguire in senso inverso i punti di cui sopra, cioè 5-1.

Filtro dell'aria

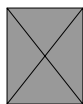
1. Sollevare delicatamente il piano del combustibile e metterlo a terra facendo attenzione.
2. Far scivolare delicatamente il filtro dell'aria verso l'alto fino a farlo uscire dal portafiltro in plastica (Fig. 16).
3. Sciacquare delicatamente con acqua nel lavandino e asciugare con un panno di tessuto prima del riposizionamento.
4. Riposizionare il Filtro, accertandosi che il Filtro grosso nero sia rivolto verso il lato anteriore dell'apparecchio.
5. Riposizionare il Piano del combustibile.

Informazioni supplementari

SERVIZIO DI ASSISTENZA CLIENTI

Il prodotto è garantito per un anno a partire dalla data di acquisto. Nell'arco di tale periodo, ci impegniamo a riparare o sostituire gratuitamente il prodotto (ad esclusione dei dischi del trasduttore e salvo disponibilità), a condizione che esso sia stato installato e utilizzato in modo conforme alle presenti istruzioni. I diritti riconosciuti dalla presente garanzia si aggiungono ai diritti di legge dell'acquirente, senza limitarli in alcun modo.

RICICLAGGIO



Prodotti elettrici venduti all'interno della Comunità Europea - Al termine della durata operativa delle apparecchiature elettriche, il prodotto non deve essere smaltito con i rifiuti domestici. Smaltirli nelle apposite strutture, ove disponibili. Per informazioni sui servizi di riciclaggio locali, rivolgersi all'amministrazione locale o al proprio rivenditore di fiducia.

BREVETTO/DOMANDA DI BREVETTO

I prodotti della linea Optimyst sono tutelati da uno o più dei seguenti brevetti e richieste di brevetto:

Gran Bretagna GB2460259B, GB2475794B, GB2418014, EP2029941, GB2436212, GB2402206B

Stati Uniti US8413358, US8136276, US7967690, US8574086

Russia RU2434181

Unione Europea EP2029941, EP2315976, EP1787063 (A1), EP2388527, EP2029941,

Cina CN101883953A, CN102105746A, CN101057105 (A), CN101438104

Australia AU2009248743A1, AU2007224634

Canada CA2725214, CA2579444, CA2645939

Sud Africa ZA2008/08702

Messico MX2008011712

Sud Corea KR101364191

Giappone JP5281417, JP5496291

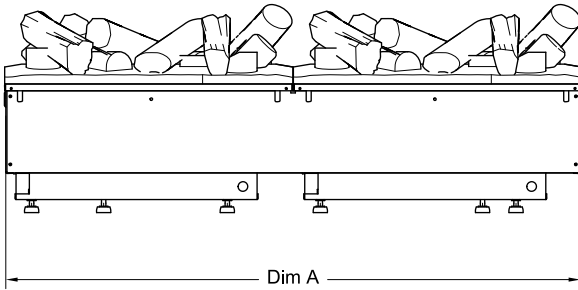
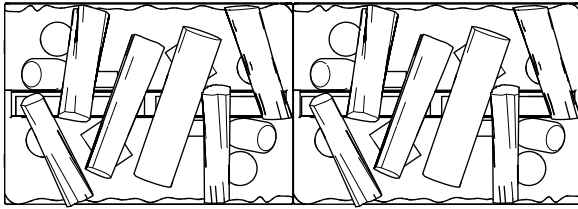
Brasile BRP10708894

India 4122/KOLNP/2008

Nuova Zelanda NZ571900

Risoluzione dei problemi

Sintomo	Causa	Azione correttiva
L'effetto fiamma non si avvia.	<p>Il cavo di alimentazione di corrente non è collegato.</p> <p>Basso livello dell'acqua.</p> <p>Il connettore a bassa tensione non è collegato correttamente (Vedere Fig. 10)</p>	<p>Verificare che la spina sia correttamente collegata alla presa a parete.</p> <p>Verificare che il serbatoio dell'acqua sia pieno e che la vasca di raccolta contenga dell'acqua.</p> <p>Verificare che il connettore sia inserito correttamente (Vedere Fig. 10)</p>
L'effetto fiamma è troppo basso.	<p>La manopola di controllo dell'effetto fiamma è posizionata su un livello troppo basso</p> <p>Il disco del trasduttore potrebbe essere sporco</p> <p>Il filo dell'unità trasduttore poggia sul disco</p>	<p>Aumentare il livello della fiamma premendo <input checked="" type="checkbox"/> il pulsante sul telecomando o il ricevitore</p> <p>Pulire il disco con una spazzola morbida. Vedere 'Manutenzione' per una procedura guidata.</p> <p>Indirizzare il filo verso il retro della vasca di raccolta e accertarsi che risieda nella scanalatura laterale che esce dalla vasca.</p>
Durante l'uso dell'unità si avverte un odore sgradevole.	<p>Acqua sporca o stagnante.</p> <p>È stata usata acqua di rubinetto non filtrata.</p>	<p>Pulire l'unità come descritto nella sezione 'Manutenzione'.</p> <p>Usare solo acqua di rubinetto filtrata.</p>
L'effetto fiamma ha troppo fumo.	L'impostazione dell'effetto fiamma è troppo alta.	Abbassare l'effetto fiamma. Dare al generatore di fiamma il tempo di regolarsi sulla nuova impostazione.



MODEL	DIM 'A'
CAS500	508mm
CAS1000	1017mm

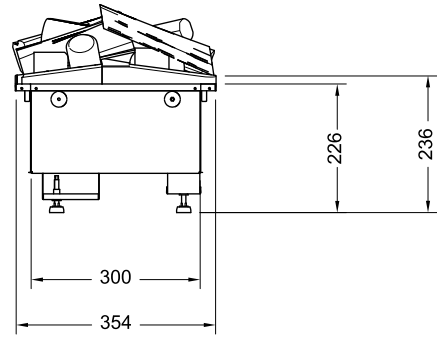


Fig.1

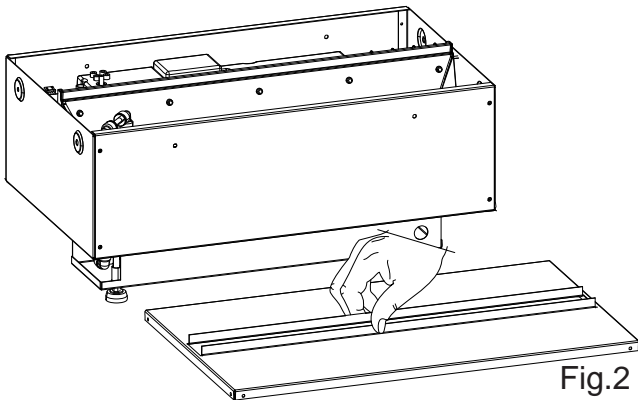


Fig.2

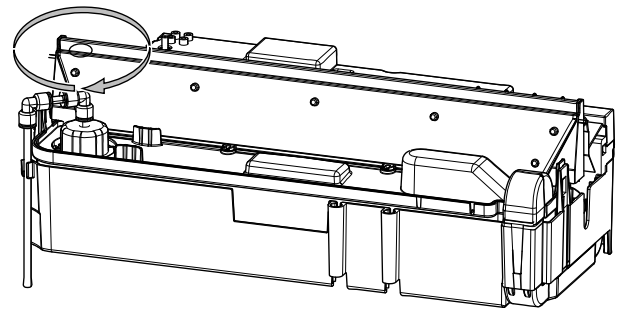


Fig.3a

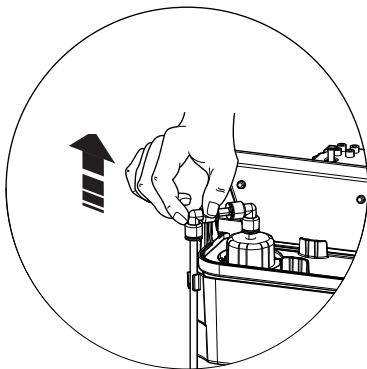


Fig.3b

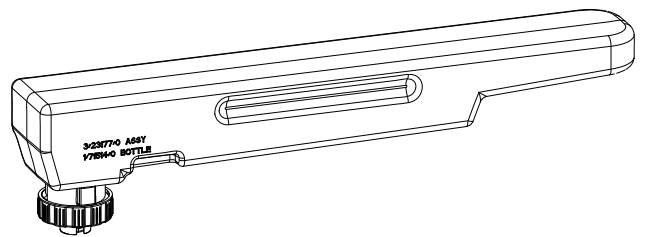


Fig.3c

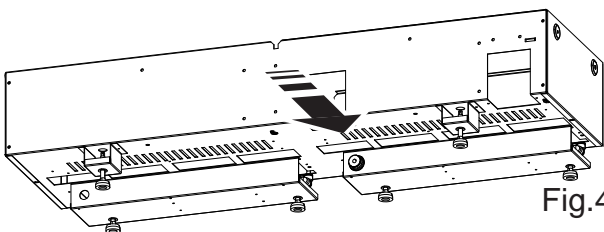


Fig.4

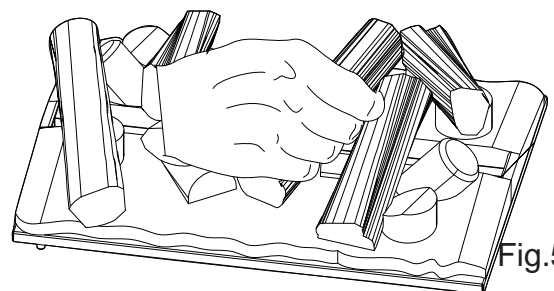


Fig.5

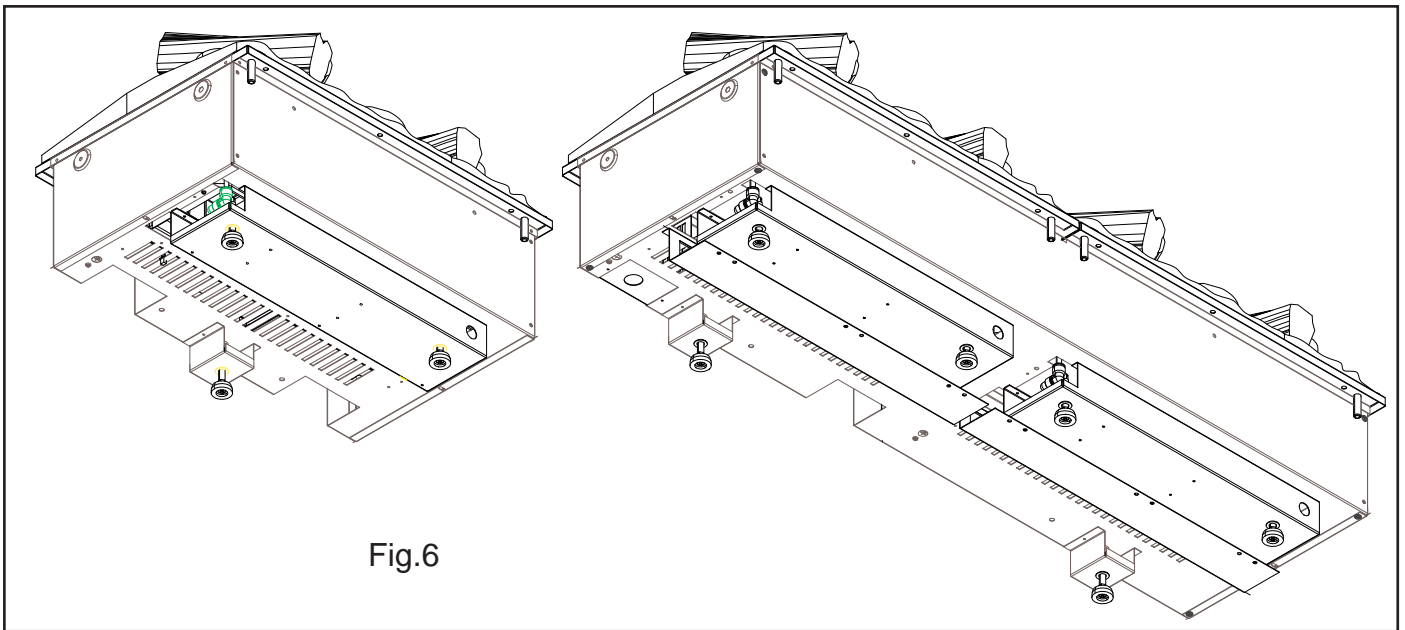


Fig.6

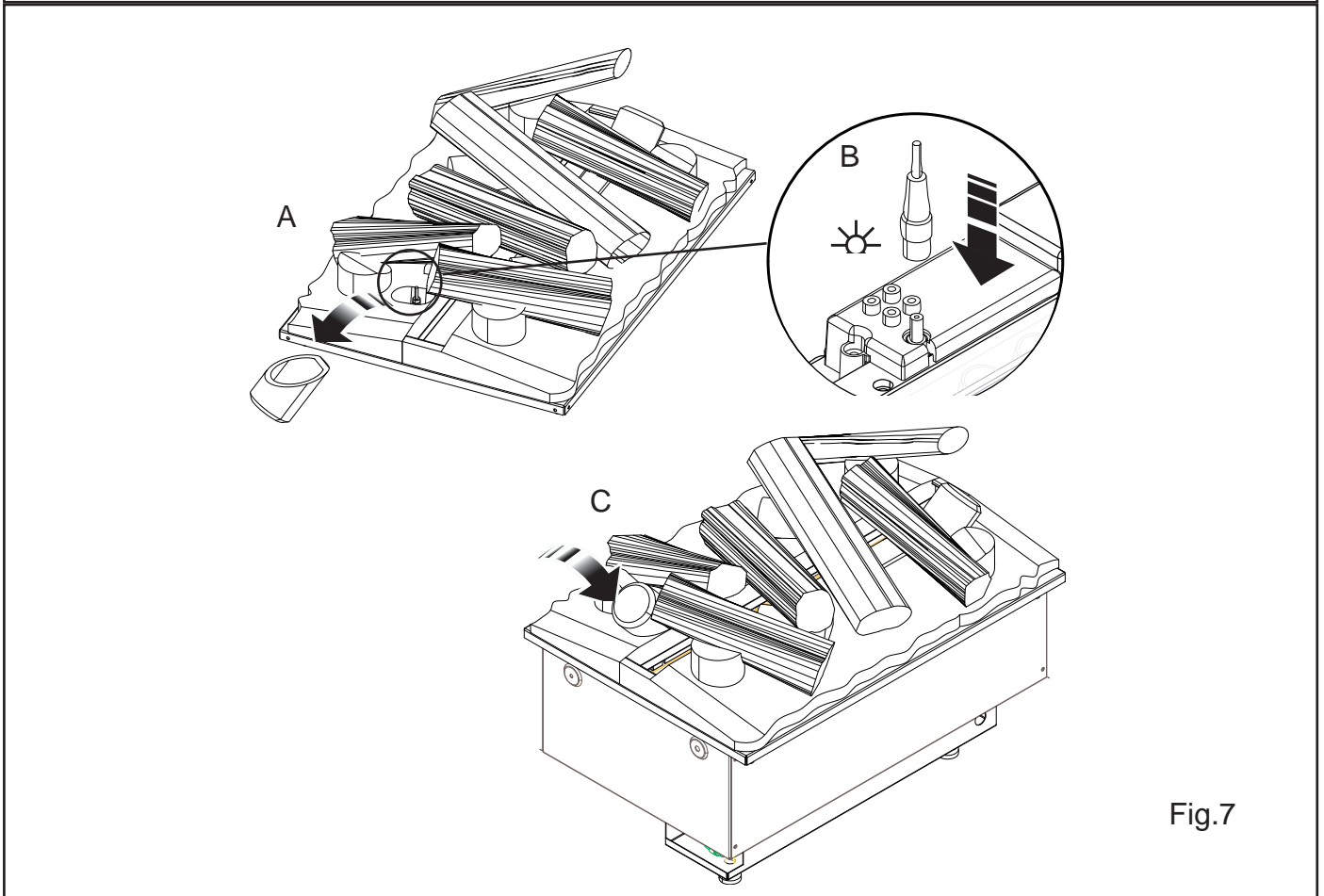


Fig.7

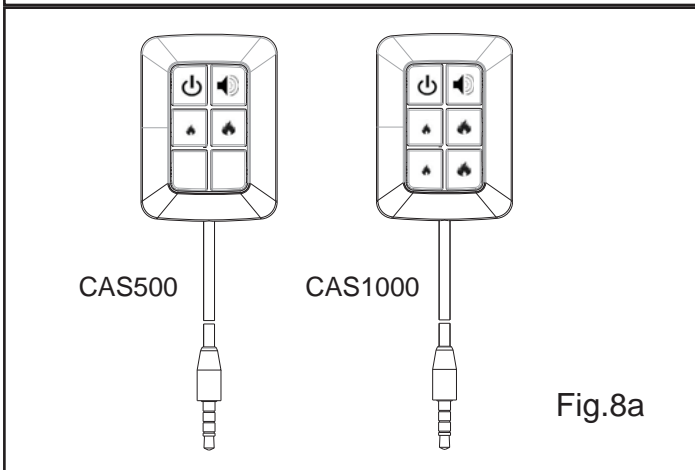


Fig.8a

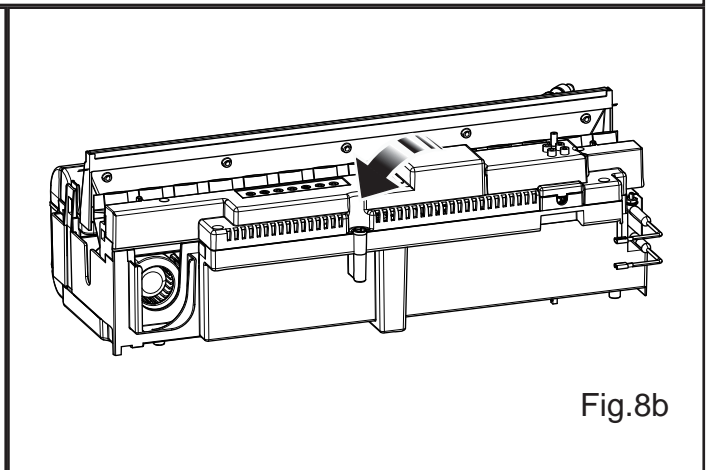
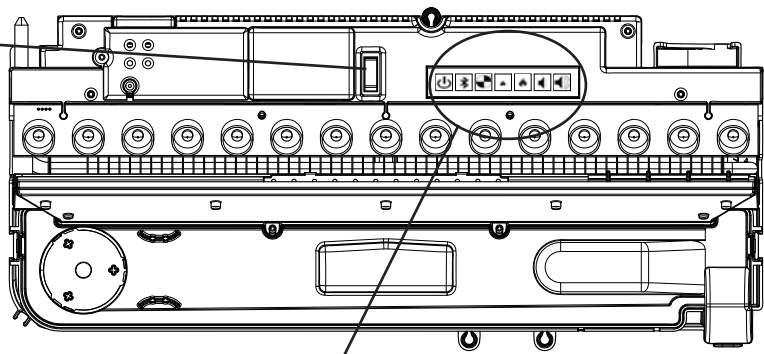
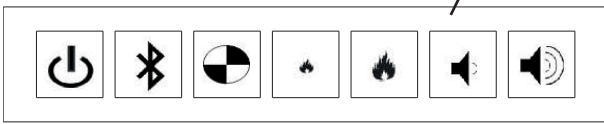


Fig.8b

Switch 'A'



CAS500



CAS1000

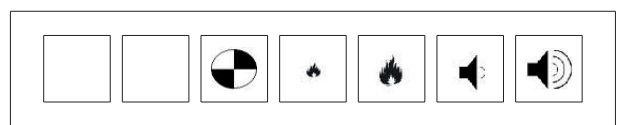
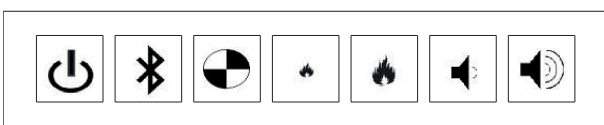


Fig.9

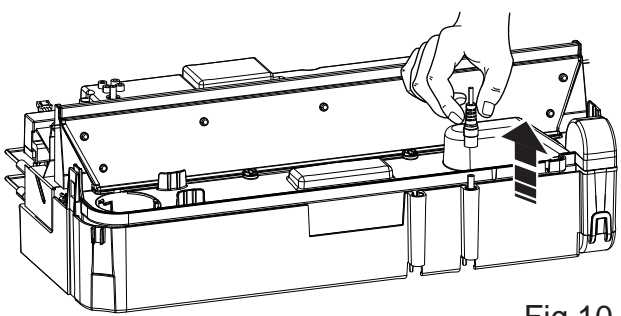


Fig.10

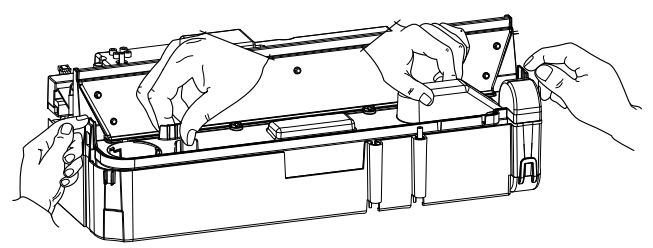


Fig.11

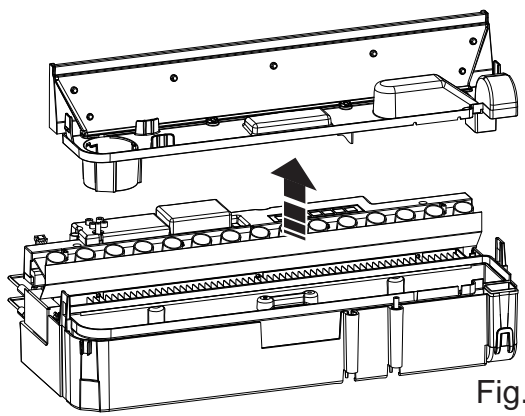


Fig.12

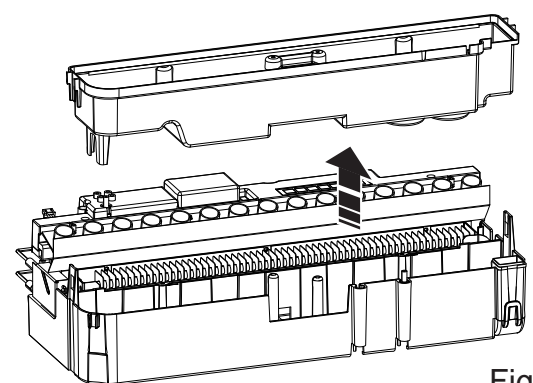


Fig.13

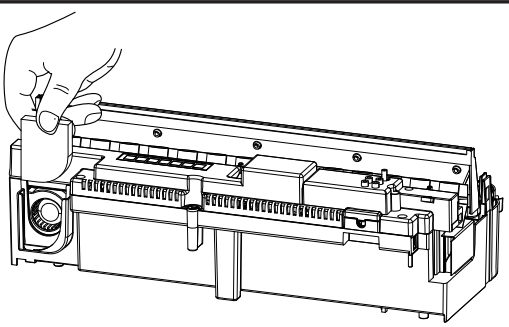
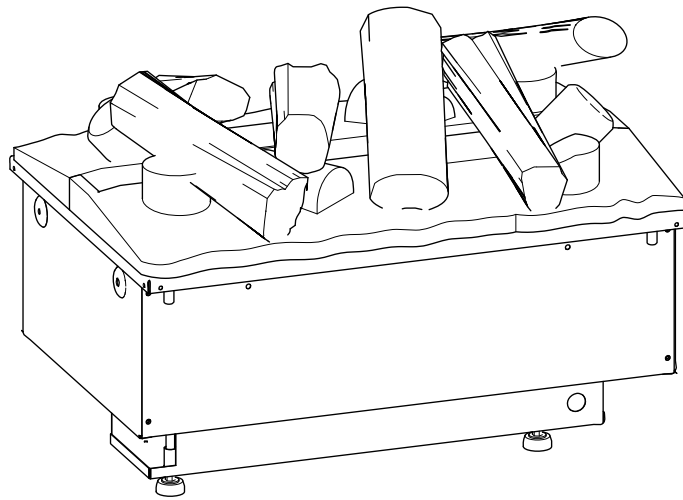
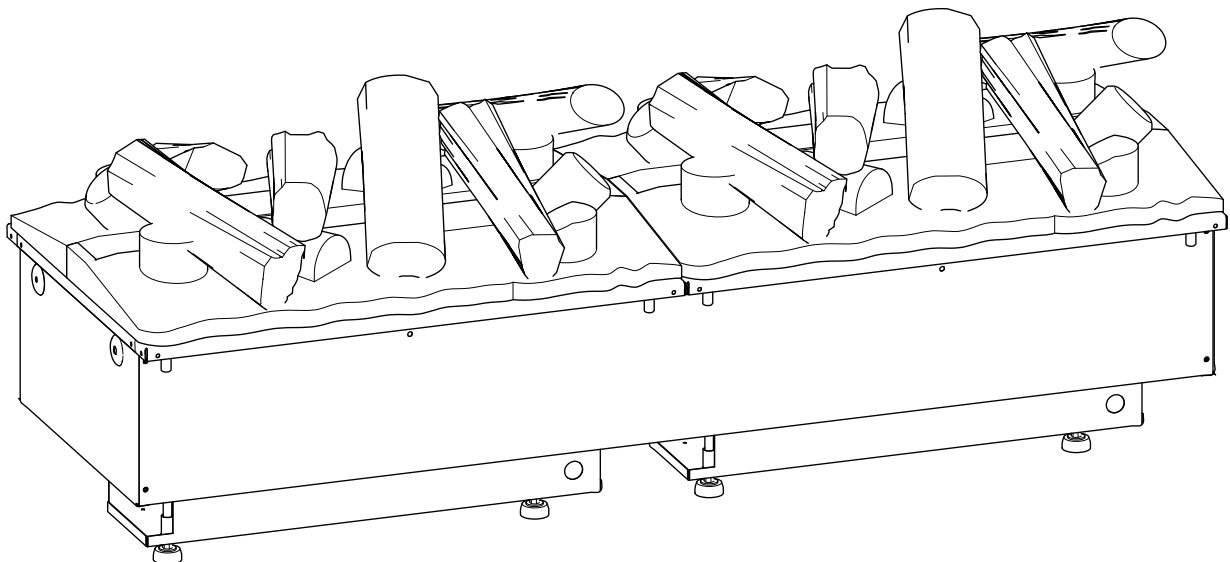


Fig.14

Dimplex



CAS500



CAS1000

Dimplex CAS500, CAS1000

Introducción

Lea atentamente esta guía informativa para aprender a instalar, utilizar y mantener su producto con la máxima seguridad.

Aviso importante sobre seguridad

Al utilizar aparatos eléctricos, deberán adoptarse en todo momento precauciones básicas para reducir riesgos de incendio, descarga eléctrica y lesiones personales, como por ejemplo:

Si el aparato está dañado, consulte al proveedor antes de la instalación y puesta en funcionamiento. No utilizar en exteriores.

No utilizar cerca de un baño, ducha o piscina.

No situar el aparato inmediatamente debajo de una toma de corriente fija o cuadro de conexiones.

Este aparato puede ser utilizado por niños a partir de ocho años de edad y personas con capacidades físicas, sensoriales o mentales reducidas o sin experiencia y conocimientos previos siempre que estén supervisados o hayan recibido instrucciones sobre el uso seguro del aparato y comprendan los peligros que supone. Este aparato no es un juguete para niños. Las tareas de limpieza y mantenimiento no deben ser realizadas por niños sin supervisión.

No deberá dejarse acercarse al aparato a niños menores de 3 años sin supervisión continua. Los niños de entre 3 y 8 años de edad solo deberán encender/apagar el aparato si este se ha colocado o instalado en su posición normal de funcionamiento y el niño está supervisado o ha recibido instrucciones sobre el uso seguro del aparato y comprende los peligros que existen. Los niños de entre 3 y 8 años de edad no deben enchufar, regular ni limpiar el aparato ni llevar a cabo tareas de mantenimiento.

PRECAUCIÓN: Algunas piezas de este producto pueden calentarse mucho y provocar quemaduras. Deberá prestarse especial atención si hay niños o personas vulnerables presentes.

No utilice este aparato en serie con un control de temperatura, controlador de programas, temporizador o ningún otro aparato que encienda automáticamente el calefactor, ya que existe riesgo de incendio si el calefactor se cambia de posición o se cubre accidentalmente.

Asegúrese de que no haya muebles, cortinas u otros materiales combustibles a menos de un metro del aparato.

En caso de fallo, desenchufe el aparato.

Desenchufe el aparato cuando no se vaya a utilizar durante periodos prolongados.

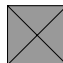
Aunque este aparato cumple las normas de seguridad, no se recomienda su uso en alfombras de pelo espeso o alfombrillas de pelo largo.

Este aparato debe colocarse de modo que el enchufe quede accesible.

Si el cable eléctrico está dañado debe ser sustituido por el fabricante o agente de servicio o persona con cualificación similar para evitar peligros.

Mantenga el cable eléctrico apartado del frontal del aparato.

ADVERTENCIA: Para evitar que se produzca sobrecalentamiento, no cubra el aparato. No coloque telas ni prendas sobre el aparato ni obstruya la circulación de aire a su alrededor.

Este aparato lleva el símbolo de advertencia NO CUBRIR. 

Este aparato no va equipado con un dispositivo para controlar la temperatura ambiente. No utilice este aparato en habitaciones pequeñas cuando estén ocupadas por personas que no sean capaces de salir de la habitación por sus propios medios, salvo que exista supervisión constante.

Información general

Utilice solo agua filtrada en este aparato.

Desembale el aparato con cuidado y conserve el embalaje todo el tiempo que pueda para su posible utilización en el futuro, en caso de traslado o de devolución al proveedor.

Asegúrese siempre de que el aparato esté apoyado en una superficie horizontal.

El aparato solo tiene efecto de llama.

Está diseñado para empotrarse en un marco o en una pared.

Antes de conectar el aparato, compruebe que el voltaje de la corriente sea el indicado en el aparato.

Tenga en cuenta que: Si se utiliza en un entorno con muy poco ruido de fondo, tal vez se escuche un sonido debido al funcionamiento del efecto de llama. Esto es normal y no debe ser causa de alarma.

Una vez instalado, no mueva el aparato ni lo deje tumbado sobre la parte posterior sin antes vaciar el agua del cárter y el depósito de agua.

El depósito de agua, cárter, tapa del cárter, tapón del depósito y todos los filtros de aire deben limpiarse cada dos semanas, en especial en zonas con agua dura.

Si no va a utilizar el aparato durante más de dos semanas, vacíe el agua del cárter y el depósito y seque el cárter.

El cárter y el depósito de agua de este producto están tratados con un producto biocida, Silver Biocide. Este producto cumple la más reciente norma ISO

No beba el agua del cárter o del depósito o depósitos de agua

Este dispositivo está previsto para conectarse permanentemente al sistema de agua corriente, no mediante una manguera

Instrucciones de instalación

Esta sección describe cómo instalar su fuego.

ANTES DE COMENZAR

1. Asegúrese de haber retirado todos los componentes del embalaje (lea atentamente las etiquetas de advertencia) y conserve el embalaje para su posible utilización en el futuro.
2. Antes de conectar el aparato, compruebe que el voltaje de la corriente sea el indicado en el aparato.
3. Asegúrese de que el aparato se apoye en una superficie horizontal
4. Levante la placa superior de metal para acceder al aparato. Conserve la placa superior con el embalaje para su posible utilización en el futuro. (Fig. 2)

Guía de instalación

Este producto puede integrarse en una pared, marco o estructura. Tenga en cuenta las dimensiones del producto indicadas en la Fig. 1 y construya la pared, marco o estructura con las medidas adecuadas. Deberá dejar al menos 400 mm entre la base de la base de combustión y cualquier estantería o construcción por encima del producto. Esto permitirá que haya espacio suficiente por encima del producto para que las llamas puedan formarse por completo y no queden obstruidas.

Para su correcto funcionamiento, este producto precisa libre ventilación desde abajo. La libre ventilación contribuye a mantener fríos los componentes electrónicos, y a que el vaho salga del cárter y del producto sin esfuerzo.

EL ÁREA DE LIBRE VENTILACIÓN DEL CAS500 PRECISA AL MENOS 210 CM².

EL ÁREA DE LIBRE VENTILACIÓN DEL CAS1000 PRECISA AL MENOS 420 CM².

Diseño del marco

El CAS500 y el CAS1000 están diseñados para integrarse en un marco o pared. Utilizando las dimensiones indicadas en la Fig 1., diseñe una cavidad para el aparato. Asegúrese de dejar espacio suficiente debajo y alrededor del aparato para la toma de agua y la conexión eléctrica. Una vez preparado el marco/pared, coloque el aparato. Ajuste la base de combustión de troncos LED de modo que el aparato quede centrado; consulte la sección "Montaje de la base de combustión de troncos LED". Cuando haya decidido la posición, levante la base de combustión y, utilizando tornillos adecuados para el marco o pared, atornille los orificios de los paneles laterales izquierdo y derecho para fijar el aparato en su posición.

Toma de agua

El aparato puede funcionar utilizando el depósito o depósitos de agua suministrados o mediante conexión al agua corriente.

Depósito(s) de agua: Retire el tapón de llenado del cárter. (Fig. 3a y Fig. 3b). Coloque el depósito o depósitos de agua (Fig. 3C) en el fregadero y retire el tapón (en sentido contrario a las agujas del reloj). Llene el depósito de agua solo **con agua del grifo filtrada**. Esto es importante para prolongar la vida de la unidad que produce la llama y el humo. El agua puede filtrarse con un filtro de agua doméstico convencional, cambiando el filtro con regularidad. **No** utilice agua destilada.

Agua corriente: Si elige suministrar el aparato con agua corriente, almacene las botellas con la placa superior de metal y el embalaje. Utilice la válvula de perforación (suministrada) para conectar el equipo a la toma de agua:

1. Sujete la válvula con la abrazadera a la cañería de agua: máximo 1/2" (12,7 mm)
2. Conecte un tubo de PVC de 1/4" (6,35 mm) (no suministrado) desde la válvula de perforación hasta el filtro de agua suministrado y al producto (Fig. 4).
3. Gire el grifo de la válvula en el sentido de las agujas del reloj para perforar la tubería de agua. Gire el grifo en sentido contrario a las agujas del reloj para permitir el paso del agua por la válvula. Puede cerrar el paso de agua al producto girando el grifo de la válvula en el sentido de las agujas del reloj hasta que cese el flujo.

4. Gire la válvula de bola interna. Se encuentra bajo el cárter. Retire el cárter según se describe en "Limpieza" en la sección de Mantenimiento

Tenga en cuenta que: La presión del agua deberá estar entre 8 bares (800 kilopascales) y 0,5 bares (50 kilopascales).

Si no se considera preparado para realizar esta conexión, recurra a un fontanero cualificado para garantizar la seguridad de la instalación.

Conexión eléctrica

Conecte el fuego a una toma de 13 amperios/240 voltios. Asegúrese de tener acceso al enchufe después de la instalación para facilitar la desconexión. Asegúrese de que el cable de alimentación salga por la parte trasera del fuego por la esquina izquierda o derecha según la situación de la toma de electricidad, y que no quede atrapado bajo el fuego, donde podría dañarse. Si conecta varios aparatos a la misma toma, no conecte nunca más de 5. Si se necesita conectar más aparatos, deberán conectarse a un circuito independiente.

El aparato puede conectarse al cableado fijo mediante un cuadro de conexiones colocado junto al aparato. Esta instalación eléctrica deberá ser realizada por un electricista competente y de conformidad estricta con las actuales normas I.E.E para equipos eléctricos en edificios.

El electricista puede retirar el enchufe suministrado de la siguiente manera:

1. Levante la base de combustión y ponga el interruptor "A" en posición de apagado (Fig 9).
2. Asegúrese de que el dispositivo esté desenchufado.
3. Levante la cubierta quitando el tornillo de sujeción (Fig 15).
4. Desatornille y retire los cables con corriente, neutro y de tierra.
5. Desatornille la abrazadera de los cables (Fig 16 "A") y retire el cable de alimentación.

El electricista puede conectar su cable desde el aparato (siguiendo los pasos anteriores en orden inverso) hasta el cuadro de conexiones asegurándose de que incorpore un interruptor bipolar aislante con una separación de los contactos de al menos 3 mm. Marrón - Con corriente (L), Azul - Neutro (N) y Verde/Amarillo - Tierra (E).

Montaje de la base de combustión de troncos LED

Este producto está equipado con una "base de combustión metálica". Antes de montar la base de combustión de troncos LED, saque y coloque aparte esta base de combustión metálica, (Fig. 2). Guárdela para su utilización en el futuro. Levante cuidadosamente del embalaje la base de combustión de troncos LED.

PRECAUCIÓN: Asegúrese de levantar la base de combustión solo por los dos troncos centrales (Fig. 5), que son los más sólidos. Coloque la base de combustión sobre el aparato; hay cuatro guías de plástico bajo la base de combustión para facilitar su localización (Fig. 6). La base de combustión puede colocarse hacia delante o hacia atrás, a preferencia el cliente. Una vez colocada, levante el pequeño tronco suelto, que queda fijado mediante imanes. Bajo este tronco hay un conector de cable de corriente continua y un orificio en la base de combustión. Conéctelo al correspondiente conector de corriente continua del producto a través de los orificios de la base de combustión (Fig. 7). El aparato está ya montado y listo para encenderse.

También hay un tronco suelto sin LED incluido con la base de combustión. Para el CAS500, puede colocarse encima de la base de combustión, o bien puede guardarse con el embalaje. Para el CAS1000, el tronco suelto puede colocarse en el espacio central entre las dos bases de combustión.

Conexión del receptor

Tome su receptor, de 4 botones para el CAS500 y de 6 botones para el CAS1000 y, con la base de combustión quitada, inserte el conector de 3,5 mm en la toma de la parte trasera del aparato (Fig. 8). El receptor tiene un cable de 1,4 m que permite colocarlo en cualquier lugar alrededor del producto. Si prefiere ocultarlo, puede colocar el receptor en el interior del marco/pared. Asegúrese de que el receptor no esté envuelto en metal, cemento u otro material de elevada densidad, ya que esto afectaría a la señal del mando a distancia.

Funcionamiento del producto

Esta sección describe cómo activar su fuego utilizando los controles manuales o el mando a distancia.

CONTROLES MANUALES





Los controles manuales están situados bajo la base de combustión. (Ver Fig. 5)




CAS500

Interruptor de corriente "A": Controla la entrada de corriente al aparato.

Nota: Este interruptor deberá estar en la posición de encendido "ON" (I) para que funcione el aparato.

Panel de botones "A": Controla el funcionamiento del aparato

-  es el botón de encendido/en espera. Púlselo para activar y desactivar el efecto de llama. La activación se indicará con el encendido de las luces principales. Aunque las luces principales entran en funcionamiento de inmediato, el efecto de llama tarda unos 45 segundos en comenzar.
-  es el botón de Bluetooth. Empareja el mando a distancia con el receptor. Encontrará más información en "Funcionamiento del mando a distancia"
-  es el botón del modo de prueba. Lo utiliza el fabricante y el técnico de servicio
-  es el botón de reducción de llama. Púlselo para reducir la altura/intensidad de la llama. Escuchará un pitido al alcanzar el nivel mínimo








-  es el botón para aumentar la llama. Púlselo para aumentar la altura/intensidad de la llama. Escuchará un pitido al alcanzar el nivel máximo
-  reduce el sonido de crepitar del fuego. Púlselo para reducir el volumen del sonido crepitante. El volumen mínimo es desactivado
-  es el sonido de aumento del crepitar del fuego. Púlselo para aumentar el volumen del sonido crepitante.

CAS1000






Interruptor de corriente "A": Controla la entrada de corriente al aparato.

Nota: Este interruptor deberá estar en la posición de encendido "ON" (I) para que funcione el aparato.


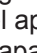
Panel de botones "A": controla el funcionamiento del lado izquierdo del aparato

-  es el botón de encendido/en espera. Púlselo para activar y desactivar el efecto de llama. El activado se indicará mediante la luz encendida. Aunque las luces principales entran en funcionamiento de inmediato, el efecto de llama tarda unos 45 segundos en comenzar.
-  es el botón de Bluetooth. Empareja el mando a distancia con el receptor. Encontrará más información en "Funcionamiento del mando a distancia"
-  es el botón del modo de prueba. Lo utiliza el fabricante y el técnico de servicio
-  es el botón de reducción de llama. Púlselo para reducir la altura/intensidad de la llama. Escuchará un pitido al alcanzar el nivel mínimo
-  es el botón para aumentar la llama. Púlselo para aumentar la altura/intensidad de la llama. Escuchará un pitido al alcanzar el nivel máximo
-  reduce el sonido de crepitar del fuego. Púlselo para reducir el volumen del sonido crepitante. El volumen mínimo es desactivado
-  es el sonido de aumento del crepitar del fuego. Púlselo para aumentar el volumen del sonido crepitante.

Panel de botones "B": Controla el funcionamiento del lado izquierdo del aparato

-  es el botón del modo de prueba. Lo utiliza el fabricante y el técnico de servicio
-  es el botón de reducción de llama. Púlselo para reducir la altura/intensidad de la llama. Escuchará un pitido al alcanzar el nivel mínimo
-  es el botón para aumentar la llama. Púlselo para aumentar la altura/intensidad de la llama. Escuchará un pitido al alcanzar el nivel máximo
-  reduce el sonido de crepitar del fuego. Púlselo para reducir el volumen del sonido crepitante. El volumen mínimo es desactivado
-  es el sonido de aumento del crepitar del fuego. Púlselo para aumentar el volumen del sonido crepitante.

OBTENER EL EFECTO DE LLAMA DESEADO





1. Encienda el aparato poniendo el interruptor principal en la posición de encendido y pulsando el botón de encendido/en espera. Las llamas aparecerán al cabo de 45 segundos. Las llamas alcanzarán la altura máxima durante 5 segundos y se reducirán hasta un nivel nominal
2. Pulse los botones  y  para ajustar la llama a su nivel deseado. Dé tiempo al generador de llamas para reaccionar a los cambios que haga.
3. No incline ni mueva el aparato mientras haya agua en el depósito o el cárter
4. Asegúrese de que el aparato esté sobre una superficie horizontal

Cuando haya realizado sus ajustes de altura de llama y sonido crepitante, el aparato guardará estos ajustes incluso si desconecta el aparato mediante el botón de encendido/en espera o mediante el interruptor principal. La próxima vez que encienda el aparato, se encenderá como de costumbre, en 45 minutos comenzarán las llamas, que alcanzarán la altura máxima durante 5 segundos y después volverán a los ajustes establecidos.



CONTROLES DEL RECEPTOR BLUETOOTH





Estos son los controles manuales del receptor Bluetooth

CAS500

-  es el botón de encendido/en espera. Púlselo para activar y desactivar el efecto de llama.
-  es el botón del sonido crepitante. Púlselo para activar o desactivar el sonido crepitante. El volumen se ajusta mediante los controles manuales del aparato
-  es el botón de reducción de llama. Púlselo para reducir la altura/intensidad de la llama. Escuchará un pitido al alcanzar el nivel mínimo
-  es el botón para aumentar la llama. Púlselo para aumentar la altura/intensidad de la llama. Escuchará un pitido al alcanzar el nivel máximo



CAS1000

-  es el botón de encendido/en espera. Púlselo para activar y desactivar el efecto de llama.
-  es el botón del sonido crepitante. Púlselo para activar o desactivar el sonido crepitante. El volumen se ajusta mediante los controles manuales del aparato

-  es el botón de reducción de la llama para el lado izquierdo del aparato. Púlselo para reducir la altura/intensidad de la llama. Escuchará un pitido al alcanzar el nivel mínimo
-  es el botón de aumento de la llama para el lado izquierdo del aparato. Púlselo para aumentar la altura/intensidad de la llama. Escuchará un pitido al alcanzar el nivel máximo
-  es el botón de reducción de la llama para el lado derecho del aparato. Púlselo para reducir la altura/intensidad de la llama. Escuchará un pitido al alcanzar el nivel mínimo
-  es el botón de aumento de la llama para el lado derecho del aparato. Púlselo para aumentar la altura/intensidad de la llama. Escuchará un pitido al alcanzar el nivel máximo

MANDO A DISTANCIA BLUETOOTH

El mando a distancia se suministra con dos baterías AAA. Quite la cubierta de las baterías de la parte inferior del mando a distancia y, después de sacar las baterías del envoltorio de plástico, colóquelas en el compartimento. Vuelva a colocar la cubierta de las baterías.

El mando a distancia utiliza tecnología Bluetooth y tiene que emparejarse con el receptor. Para ello, pulse el botón  del panel de botones “A”; las luces LED comenzarán a parpadear. Esto indica que el aparato está preparado para conectarse con el mando a distancia. Pulse el botón  del mando a distancia. El aparato se apagará. El mando a distancia ya está emparejado con el aparato.

El funcionamiento del mando a distancia es igual al descrito en “Controles del receptor”. Es posible emparejar varios productos a un mismo mando a distancia repitiendo la operación de emparejado anterior en cada nuevo producto. El funcionamiento del mando a distancia es igual al descrito en “Controles del receptor Bluetooth”.

Mantenimiento

CONSEJOS GENERALES

Utilice solo agua del grifo filtrada en este aparato.

Asegúrese siempre de que el aparato esté apoyado en una superficie horizontal.

Si no va a utilizar el aparato durante más de dos semanas, quite y vacíe el cárter y el depósito de agua.

Una vez instalado, no mueva el aparato ni lo deje tumbado sobre la parte posterior sin antes vaciar el agua del cárter y el depósito de agua.

LIMPIEZA

Advertencia – Ponga siempre el interruptor “A” en la posición “OFF” (apagado, **(0)** Fig. 10) y desconecte la fuente de alimentación antes de limpiar el fuego.

Recomendamos limpiar los siguientes componentes cada dos semanas, especialmente en áreas de aguas duras:- Depósito de agua, cárter, boquilla, tapa y cierre del depósito y filtro de aire.

Para la limpieza general, utilice un paño suave y limpio; no utilice limpiadores agresivos.

Para eliminar la acumulación de polvo o pelusa, utilice ocasionalmente el accesorio de cepillo suave del aspirador para limpiar la rejilla de salida del ventilador.

Depósito de agua

1. Retire el depósito de agua según se ha indicado, llévelo al fregadero y vacíelo de agua.
2. Con el cepillo suministrado, frote con suavidad las superficies interiores del tapón, prestando especial atención a la anilla de goma de la ranura exterior y el cierre de goma central.
3. Ponga una pequeña cantidad de detergente líquido en el depósito, vuelva a colocar el tapón y agite bien; aclare hasta que desaparezcan todas las trazas de detergente.
4. Vuelva a llenar solo con agua del grifo filtrada y vuelva a colocar el tapón sin apretar excesivamente.

Cárter

1. Ponga el interruptor “A” en la posición de apagado “OFF” **(0)**
2. Saque con cuidado la base de combustión y colóquela en el suelo.
3. Saque el depósito de agua levantándolo hacia arriba.
4. Desconecte el conector eléctrico, situado en el lado derecho del cárter. (Fig. 5).
5. Suelte las pestañas de bloqueo de la derecha del cárter girando 90°. Esto permite sacar completamente el cárter de su posición. (Fig. 11)
6. Con cuidado, levante el cárter, manteniéndolo horizontal para no verter agua. Coloque el conjunto en el fregadero.
7. Suelte las pestañas de bloqueo de la izquierda del cárter girando 90°, y a continuación saque la boquilla tirando. (Fig. 3)
8. Levante el transductor e inclínelo con cuidado, de modo que se vacíe el líquido del cárter. (Fig. 13)
9. Vierta una pequeña cantidad de detergente líquido en el cárter y con el cepillo suministrado, limpie todas las superficies del cárter y limpie con cuidado el transductor, incluidos los discos metálicos situados en la superficie superior ranurada. (Fig. 14)
10. Una vez limpio, aclare bien el cárter con agua limpia para eliminar todos los restos de detergente líquido.
11. Limpie la boquilla con el cepillo y enjuague bien con agua. (Fig. 15)
12. Repita en orden inverso los pasos anteriores para volver a montarlo.

Transductor

El transductor es un consumible que con el tiempo puede ser necesario sustituir, dependiendo del uso. Los recambios pueden comprarse en nuestro sitio web <http://spares.dimplex.co.uk>. El transductor va fijado al cárter mediante un clip de plástico. Si precisa sustituir el transductor

1. Siga los pasos 1-5 de la sección LIMPIEZA Cártter en "Mantenimiento" para acceder al transductor
2. Apriete el clip hacia atrás y levante el transductor hacia arriba sacándolo de su soporte.
3. Retire el cono girándolo en el sentido de las agujas del reloj y colóquelo en el transductor nuevo. Gire el cono en sentido contrario a las agujas del reloj hasta que quede fijo en su lugar
4. Repita en orden inverso los pasos 5-1 para volver a montarlo

Filtro de aire

1. Saque con cuidado la base de combustión y colóquela en el suelo.
2. Deslice suavemente el filtro de aire hacia arriba sacándolo de su soporte de plástico. (Fig. 16)
3. Aclárelo con agua en el fregadero y séquelo con un paño de tela antes de volver a colocarlo.
4. Vuelva a colocar el filtro asegurándose de que el filtro negro rugoso esté colocado hacia el frontal del fuego.
5. Vuelva a colocar la base de combustión.

Información adicional

SERVICIO POSTVENTA

Su producto tiene un año de garantía a partir de la fecha de compra. Durante este periodo, nos comprometemos a reparar o cambiar el producto sin cargo alguno (quedan excluidos los discos del transductor y sujetos a disponibilidad) siempre que se haya instalado y puesto en funcionamiento de conformidad con estas instrucciones. Sus derechos en el ámbito de esta garantía son adicionales a sus derechos legales, que, a su vez, no se ven afectados por esta garantía.

RECICLAJE



Para productos eléctricos vendidos en la Comunidad Europea: al final de la vida útil del producto eléctrico no deberá eliminarse con los residuos domésticos. Reciclelo cuando existan medios para ello. Solicite información sobre reciclaje al vendedor o a las autoridades locales de su país.

PATENTE / SOLICITUD DE PATENTE

Los productos de la gama Optimyst están protegidos por una o varias de las siguientes patentes y solicitudes de patente:

Gran Bretaña GB2460259B, GB2475794B, GB2418014, EP2029941, GB2436212, GB2402206B

Estados Unidos US8413358, US8136276, US7967690, US8574086

Rusia RU2434181

Europa EP2029941, EP2315976, EP1787063 (A1), EP2388527, EP2029941,

China CN101883953A, CN102105746A, CN101057105 (A), CN101438104

Australia AU2009248743A1, AU2007224634

Canadá CA2725214, CA2579444, CA2645939

Sudáfrica ZA2008/08702

México MX2008011712

Corea del Sur KR101364191

Japón JP5281417, JP5496291

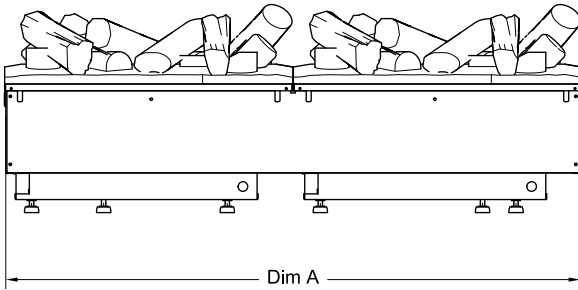
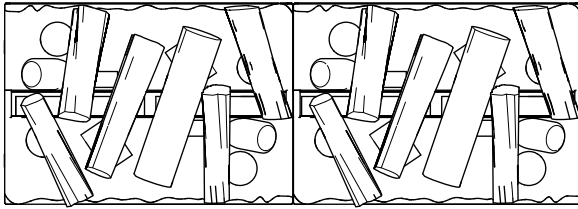
Brasil BRP10708894

India 4122/KOLNP/2008

Nueva Zelanda NZ571900

Resolución de problemas

Síntoma	Causa	Acción correctiva
No funciona el efecto de llama.	<p>No está conectada la corriente eléctrica.</p> <p>Nivel de agua bajo.</p> <p>El conector de bajo voltaje no está bien conectado. (Ver Fig. 10)</p>	<p>Compruebe si el enchufe está bien conectado a la toma de corriente de la pared.</p> <p>Compruebe si el depósito de agua está lleno y si hay agua en el cárter.</p> <p>Compruebe si el conector está bien conectado. (Ver Fig. 10)</p>
El efecto de llama es demasiado bajo.	<p>El mando de control del efecto de llama está ajustado demasiado bajo.</p> <p>Es posible que el disco del transductor esté sucio</p> <p>El cable de la unidad transductora se apoya en el disco</p>	<p>Aumente el nivel de la llama pulsando <input checked="" type="checkbox"/> en el mando a distancia o receptor</p> <p>Limpie el disco con un cepillo blando. Vea el procedimiento detallado en "Mantenimiento".</p> <p>Dirija el cable a la parte posterior del cárter y asegúrese de que quede colocado en la ranura lateral que sale del cárter.</p>
Olor desagradable al utilizar la unidad.	<p>Agua sucia o estancada.</p> <p>Utilizar agua del grifo no filtrada.</p>	<p>Limpie la unidad según se describe en Mantenimiento.</p> <p>Utilice solo agua filtrada.</p>
El efecto de llama produce demasiado humo.	El ajuste del efecto de llama está demasiado alto.	Reduzca el efecto de llama. Dé un tiempo al generador de llama para ajustarse a la nueva posición.



MODEL	DIM 'A'
CAS500	508mm
CAS1000	1017mm

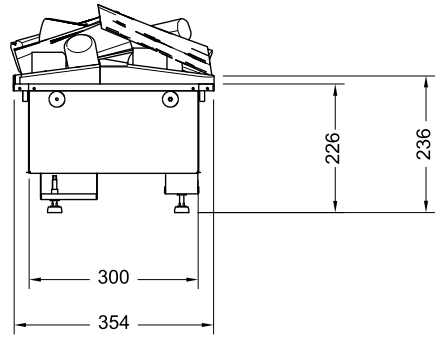


Fig.1

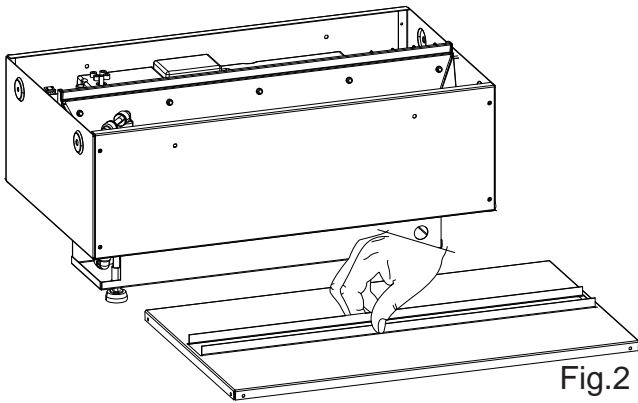


Fig.2

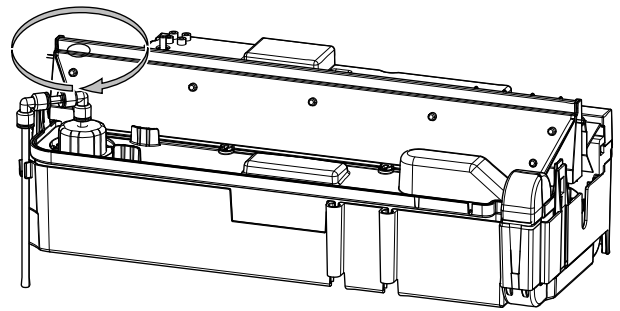


Fig.3a

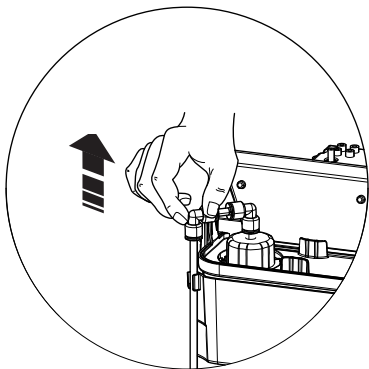


Fig.3b

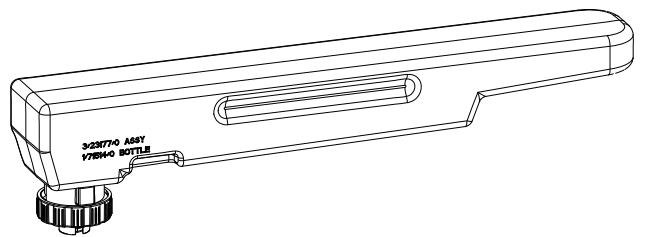


Fig.3c

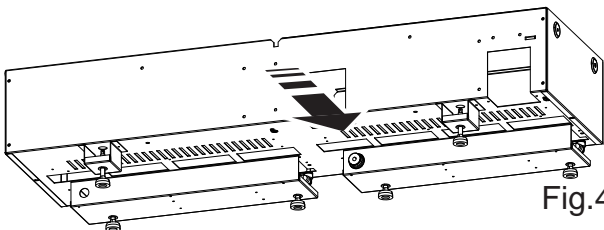


Fig.4

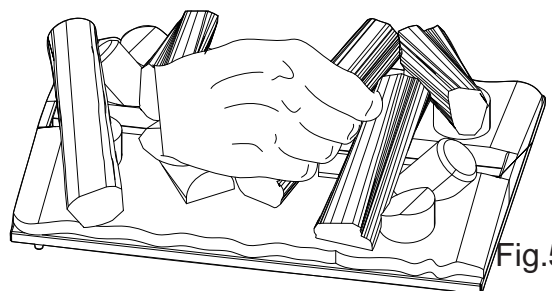


Fig.5

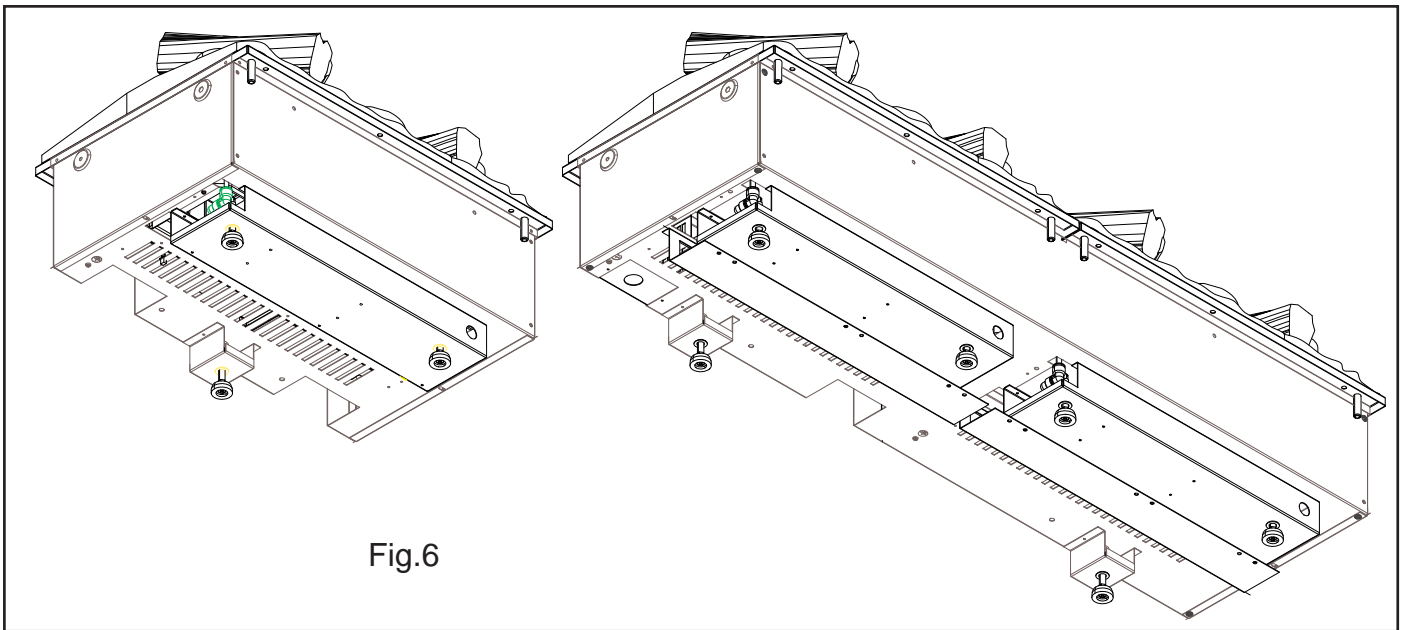


Fig.6

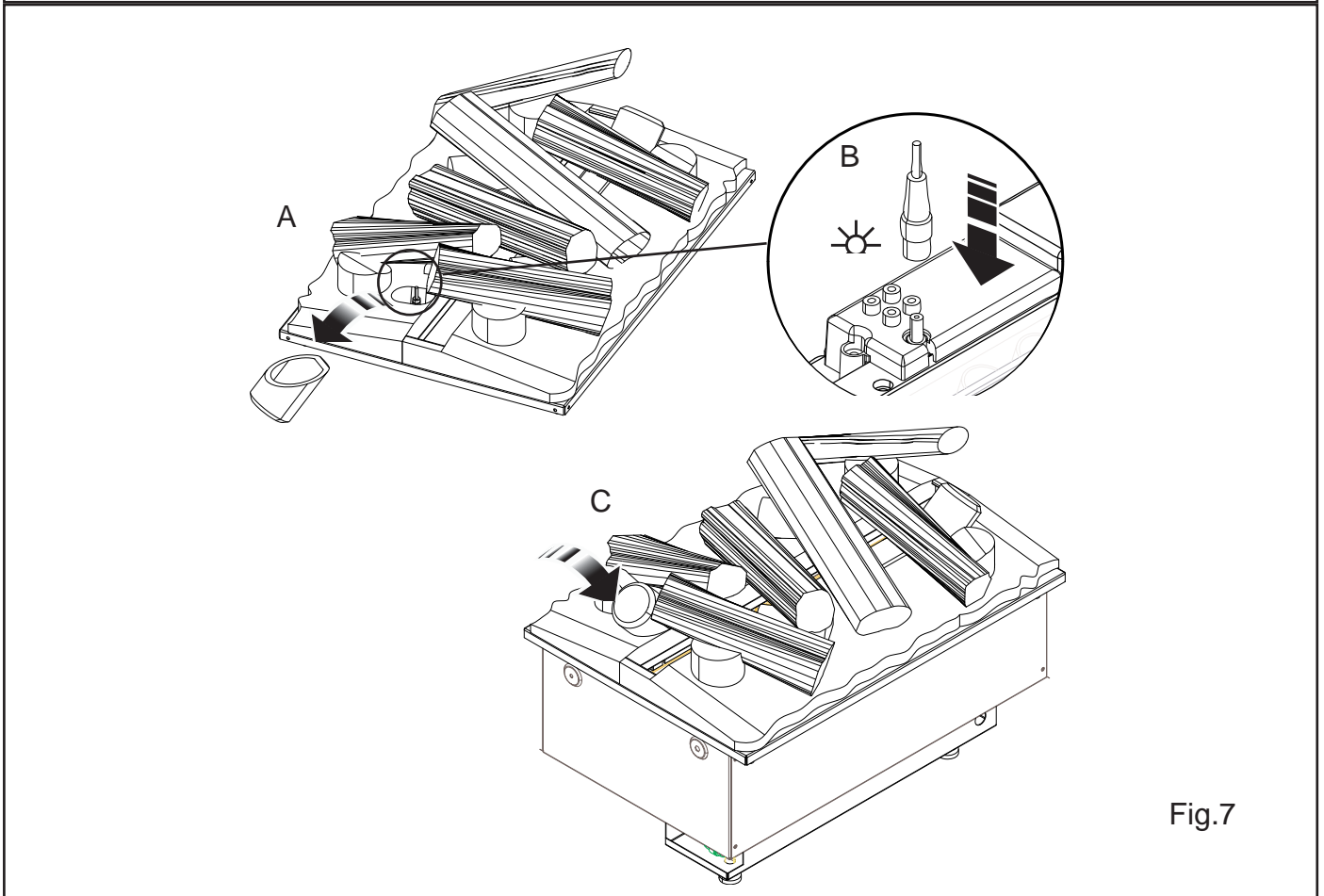


Fig.7

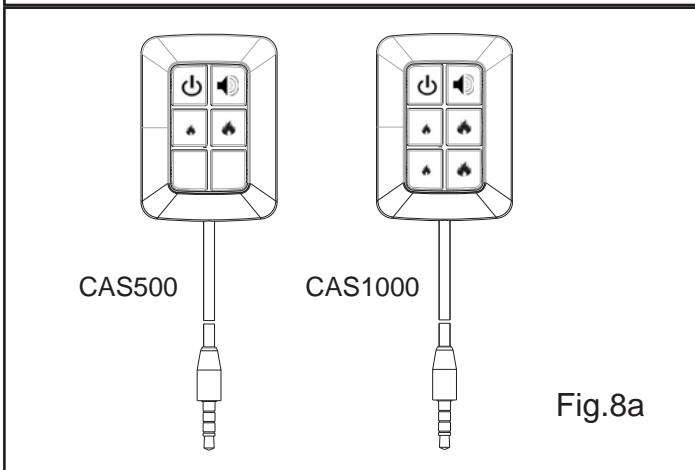


Fig.8a

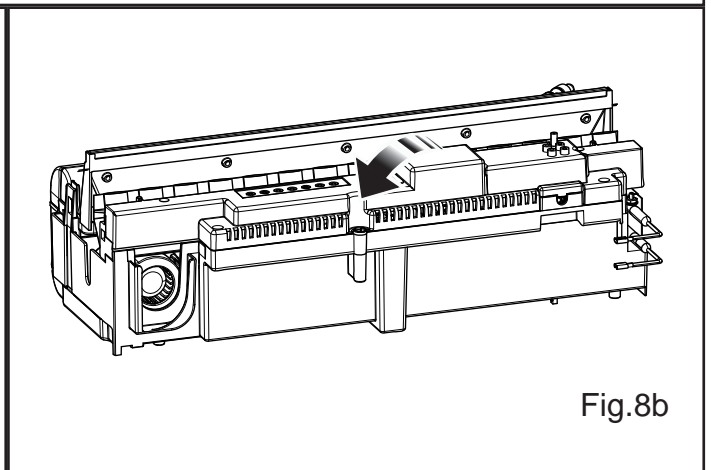
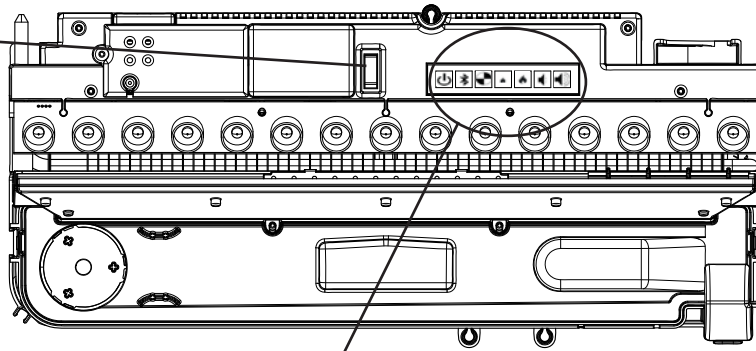
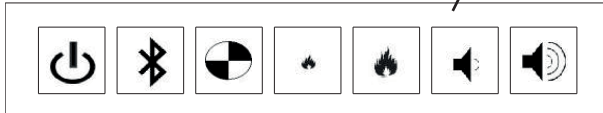


Fig.8b

Switch 'A'



CAS500



CAS1000

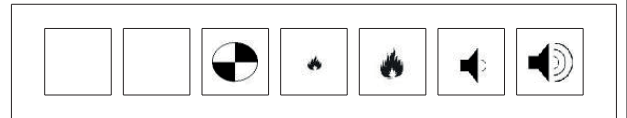


Fig.9

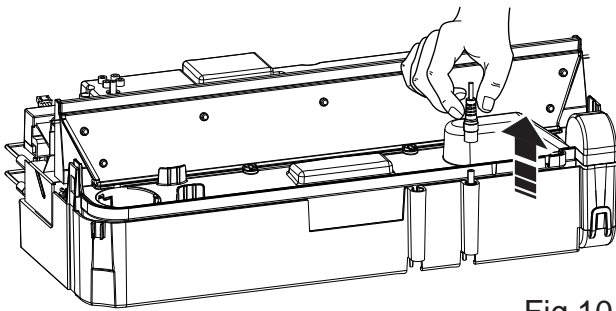


Fig.10

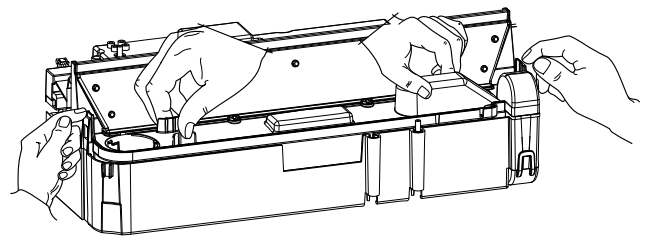


Fig.11

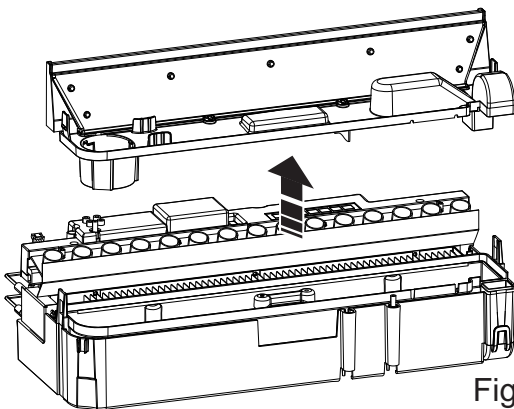


Fig.12

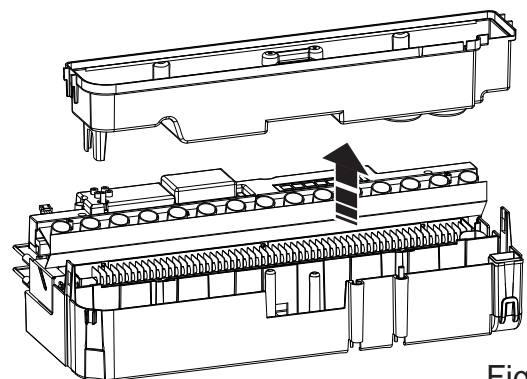


Fig.13

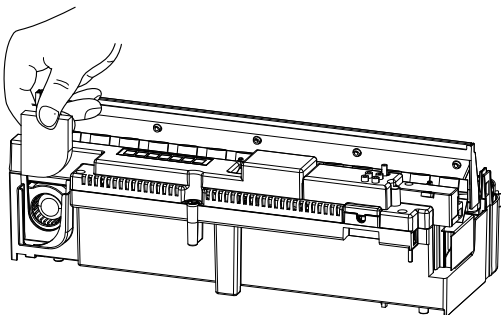


Fig.14